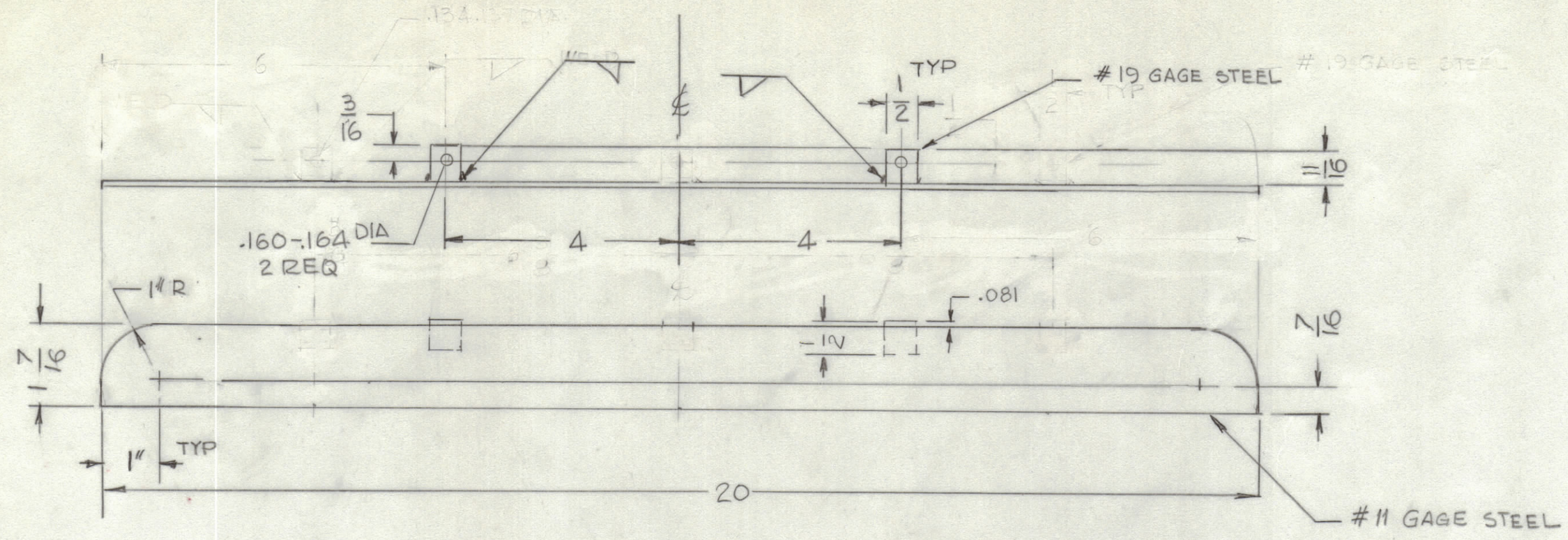
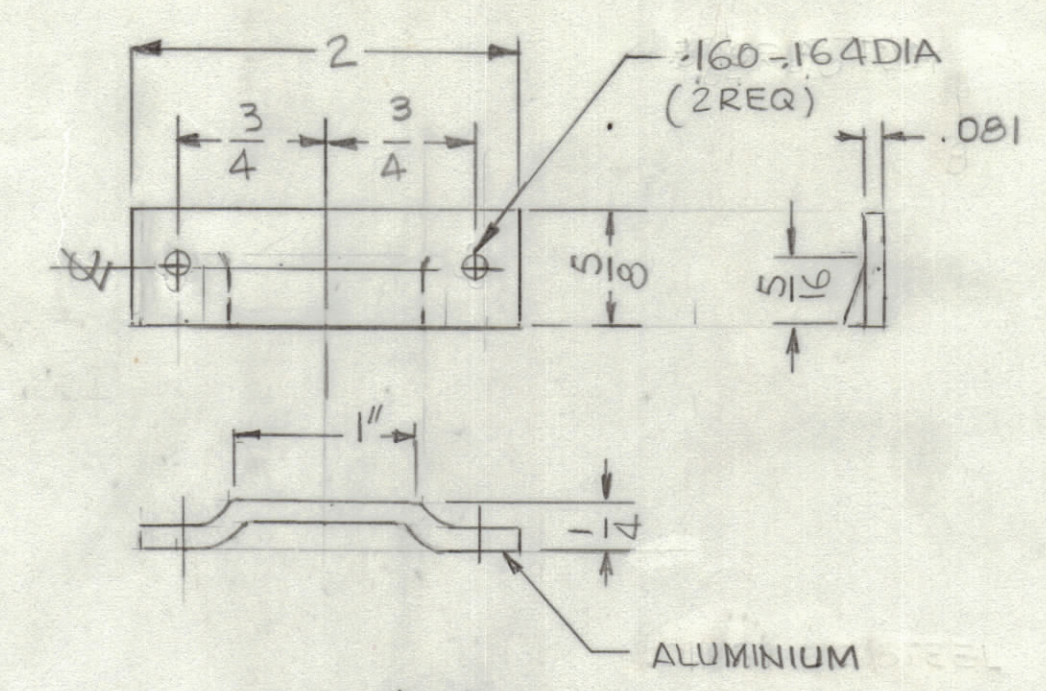


| REVISIONS |       |      |      |     |                  |
|-----------|-------|------|------|-----|------------------|
| E.M.N.O   | DRAFT | CHKD | ZONE | LTR | DATE             |
|           |       |      |      | X1  |                  |
|           |       |      |      | Ø   | ORIGINAL RELEASE |
|           |       |      |      |     | 1-10-77          |
|           |       |      |      |     |                  |



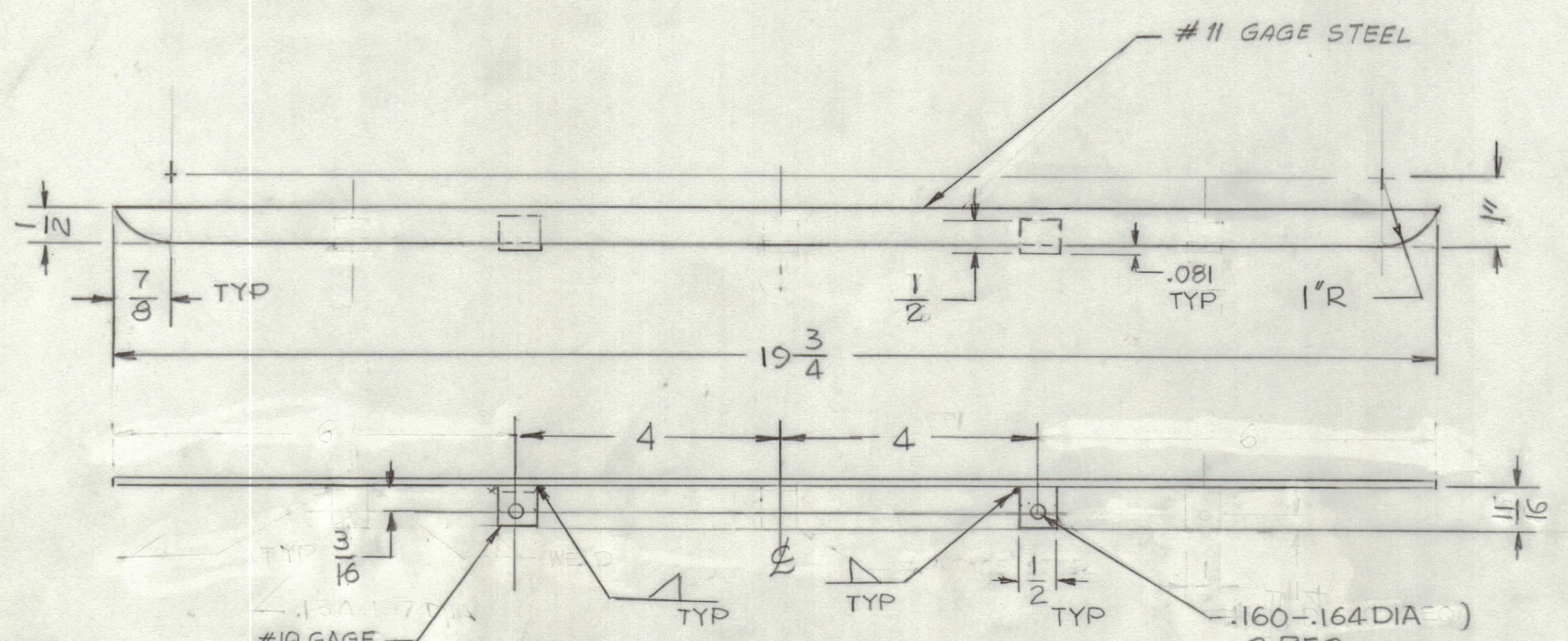
FINISH NOTES:  
 1- S404 YEL IRIDITE  
 2- S114 ZINC CHROMATE PRIMER  
 3- S521 TMC GRAY TEXTURED PAINT

DETAIL "A"  
2 REQ



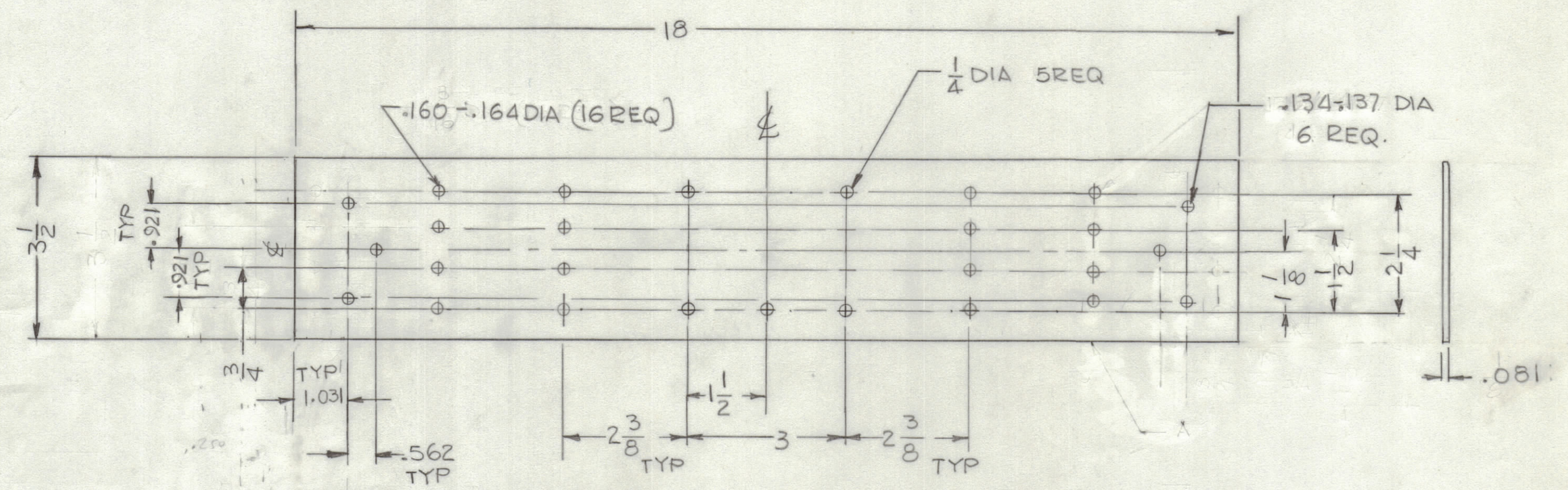
FINISH NOTES  
 1- S404 YEL IRIDITE  
 2- S114 ZINC CHROMATE PRIMER  
 3- S521 TMC GRAY TEXTURED PAINT

DETAIL "D"  
2 REQ



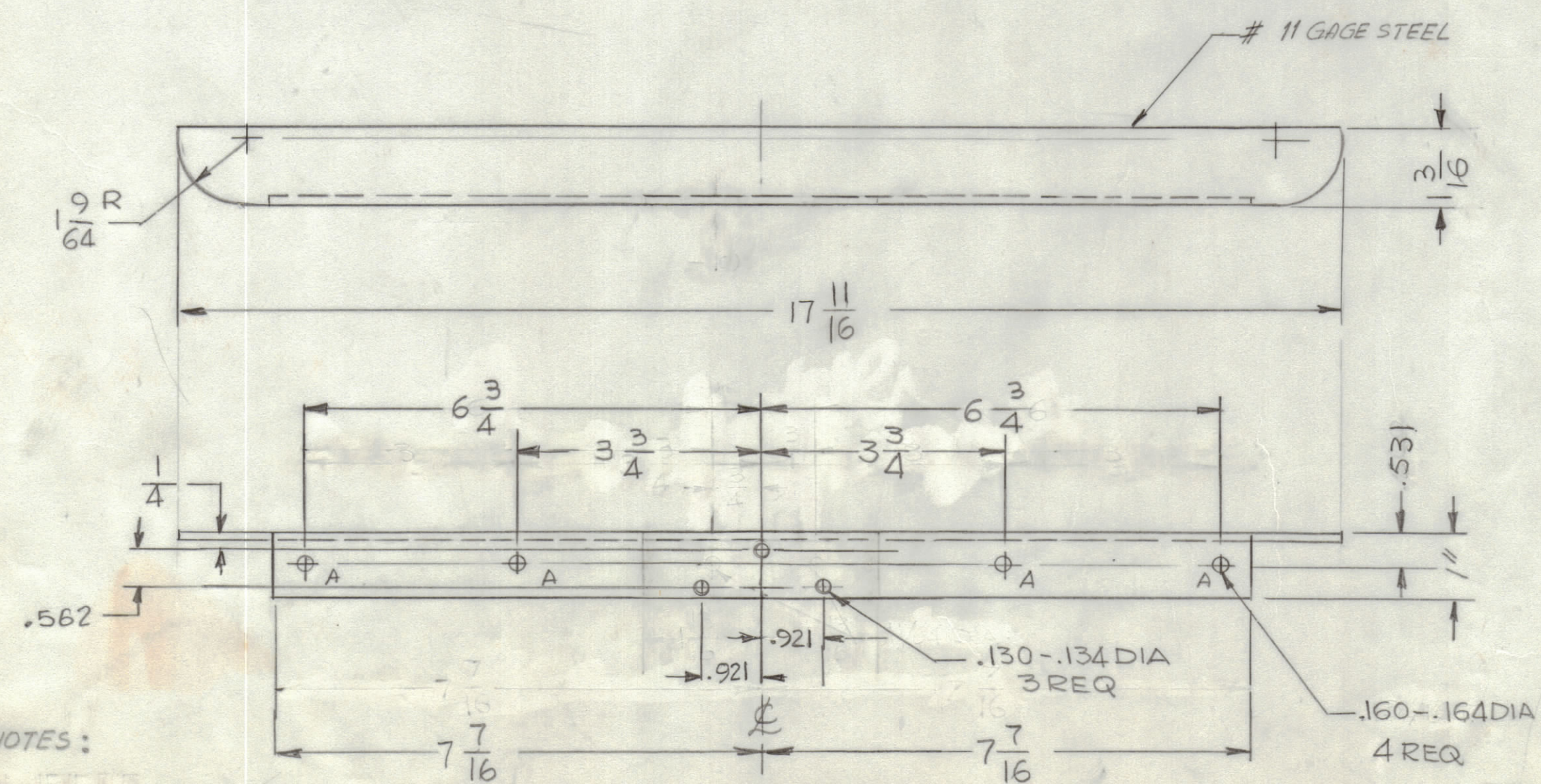
FINISH NOTES  
 1- S404 YEL IRIDITE  
 2- S114 ZINC CHROMATE PRIMER  
 3- S521 TMC GRAY TEXTURED PAINT

DETAIL "B"  
2 REQ



FINISH NOTES  
 1- S404 YEL IRIDITE  
 2- S114 ZINC CHROMATE PRIMER  
 3- S521 TMC GRAY TEXTURED PAINT

DETAIL "E"  
2 REQ



FINISH NOTES:  
 1- S404 YEL IRIDITE  
 2- S114 ZINC CHROMATE PRIMER  
 3- S521 TMC GRAY TEXTURED PAINT

DETAIL "C"  
4 REQ

A - NO. 8 DRILL  
(.199 DIA 6 REQ)

| QTY / UNIT | MODEL USED ON | ASS'Y NO. |
|------------|---------------|-----------|
| 5          | TOC-25        |           |
| 3          | TOC-24        |           |

APPLICATION  
 CODE

| QTY. REQ. | ITEM | PART NO. | DESCRIPTION  | SYMBOL |
|-----------|------|----------|--|--------|
|           |      |          | LIST OF MATERIAL                                     |        |
|           |      |          | THE TECHNICAL MATERIEL CORP.<br>MAMARONECK, NEW YORK |        |
|           |      |          | CASE, TRANSIT OPERATING<br>(DETAIL)                  |        |
|           |      |          | SCALE 1:2  |        |

| QTY. REQ. | ITEM | PART NO. | DESCRIPTION  | SYMBOL |
|-----------|------|----------|--|--------|
|           |      |          | LIST OF MATERIAL                                     |        |
|           |      |          | THE TECHNICAL MATERIEL CORP.<br>MAMARONECK, NEW YORK |        |
|           |      |          | CASE, TRANSIT OPERATING<br>(DETAIL)                  |        |
|           |      |          | SCALE 1:2  |        |

NOTICE TO PERSONS RECEIVING THIS DRAWING  
 THE TECHNICAL MATERIEL CORPORATION claims proprietary right in the material disclosed hereon. This drawing is issued in confidence for engineering information only and may not be reproduced or used to manufacture anything shown hereon without permission from THE TECHNICAL MATERIEL CORPORATION to the user. This drawing is loaned for mutual assistance and is subject to recall at any time.

| QTY. REQ. | ITEM | PART NO. | DESCRIPTION  | SYMBOL |
|-----------|------|----------|--|--------|
|           |      |          | LIST OF MATERIAL                                     |        |
|           |      |          | THE TECHNICAL MATERIEL CORP.<br>MAMARONECK, NEW YORK |        |
|           |      |          | CASE, TRANSIT OPERATING<br>(DETAIL)                  |        |
|           |      |          | SCALE 1:2  |        |

| QTY. REQ. | ITEM | PART NO. | DESCRIPTION  | SYMBOL |
|-----------|------|----------|--|--------|
|           |      |          | LIST OF MATERIAL                                     |        |
|           |      |          | THE TECHNICAL MATERIEL CORP.<br>MAMARONECK, NEW YORK |        |
|           |      |          | CASE, TRANSIT OPERATING<br>(DETAIL)                  |        |
|           |      |          | SCALE 1:2  |        |