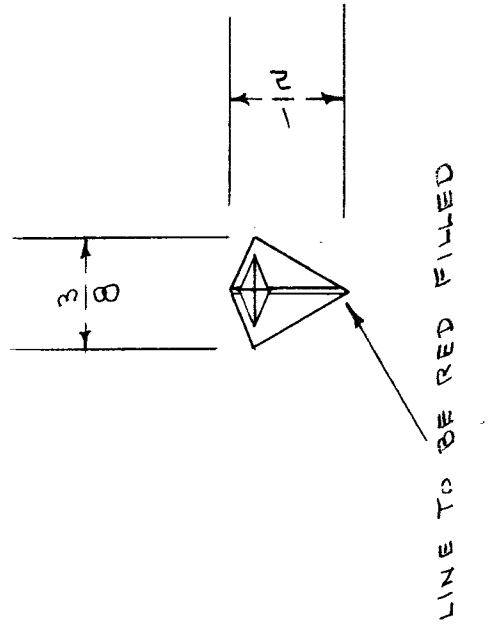


IF IT IS FOUND DESIRABLE TO CHANGE ANY TOLERANCE OR OTHER DETAIL SPECIFIED ON THIS DRAWING NOTIFY THE PURCHASER PROMPTLY.

MAXIMUM ALLOWABLE TOLERANCES HAVE BEEN DETERMINED AND DEVIATIONS WILL BE CAUSE FOR REJECTION. REMOVE ALL BURRS AND SHARP EDGES



DIMENSIONS FOR REF. ONLY

REF: NATIONAL CO. # SA-9753 DP-1

DP-100			
REQ PER UNIT	MODEL	PROJECT NO.	USED ON
1	TAC-1	132	
			ASSY. NO.
			A-715
			DATE
			1-20-54

REQ. ITEM	PART NO.	DESCRIPTION	SYMBOL
		THE TECHNICAL MATERIEL CORP.	
		MAMARONECK. NEW YORK	
BRASS		POINTER, DIAL	
MATERIAL		TAC-1	
TYPE & TEMPER			
HEAT TREAT. SPEC.			
NICKEL PLATE .0003			
FINISH & SPEC. NO.			
ISSUE ITEM	CHANGED FROM	DATE	CN. NO.
TOLERANCES			
DEC. DIM. ±			
FRAC. DIM. ±			
ANGULAR DIM. ±			
DRILL, PUNCH, COMMERCIAL STOCK SIZES AND MANUFACTURERS TOLERANCES ARE NOT INCLUDED.			
ISSUE ITEM	DATE	CN. NO.	DRAFTS CHECKER
ISSUE ITEM	DATE	CN. NO.	ENGINEER
ISSUE ITEM	DATE	CN. NO.	MECH. DES. APP.
ISSUE ITEM	DATE	CN. NO.	FINAL APPROVAL