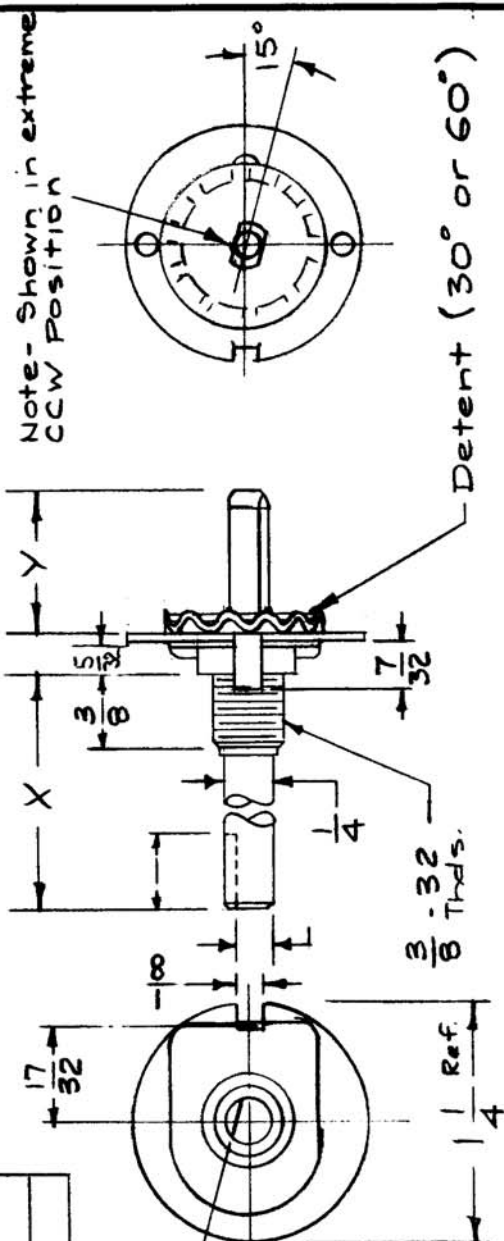


REQ. PER UNIT	MODEL	USED ON ASSY. NO.	DATE

SHAFT STYLE (X)	
CODE	STYLE
F	Flatted
R	Round

SHAFT LENGTHS		
CODE	DIM. X	DIM. Y
1	7/8	7/16
2	7/8	5/8
3		
4		
5		
6		
7		
8		



Type Designation to be as follows:

DT-101 R 30-2-1

TMC DWS. NO. SHAFT STYLE NO. OF POSITIONS SHAFT LENGTH CODE

STANDARD DRAWING

ANGLE OF THROW (DETENT)

EXAMPLE - DT-101F 30-4-1 = Detent, Flatted Shaft, 30° Throw, 4 Position, 7/8" ± 7/16" Shaft

Ref - OAK MFG. CO (TYPE F)

REQ. ITEM	PART NO.	DESCRIPTION	SYMBOL
		THE TECHNICAL MATERIEL CORP. MAMARONECK, NEW YORK	
		STOCK SIZE	
		MATERIAL	
		DRAWN	
		CHECKED	
		FINAL APPROVAL	
ISSUE ITEM	CHANGED FROM	DATE	CH. NO. DRAFTS CHECKER
A 1	15/32 WAS 1/8	6/17/58	WJS
			ENG. APP.
SCALE:			
MAXIMUM ALLOWABLE TOLERANCES HAVE BEEN DETERMINED AND ANY DEVIATIONS WILL BE CAUSE FOR REJECTION. REMOVE ALL BURRS AND SHARP EDGES			
DEC. DIM. ±			
FRAC. DIM. ±			
ANGULAR DIM. ±			

A. J. J.

DT-101