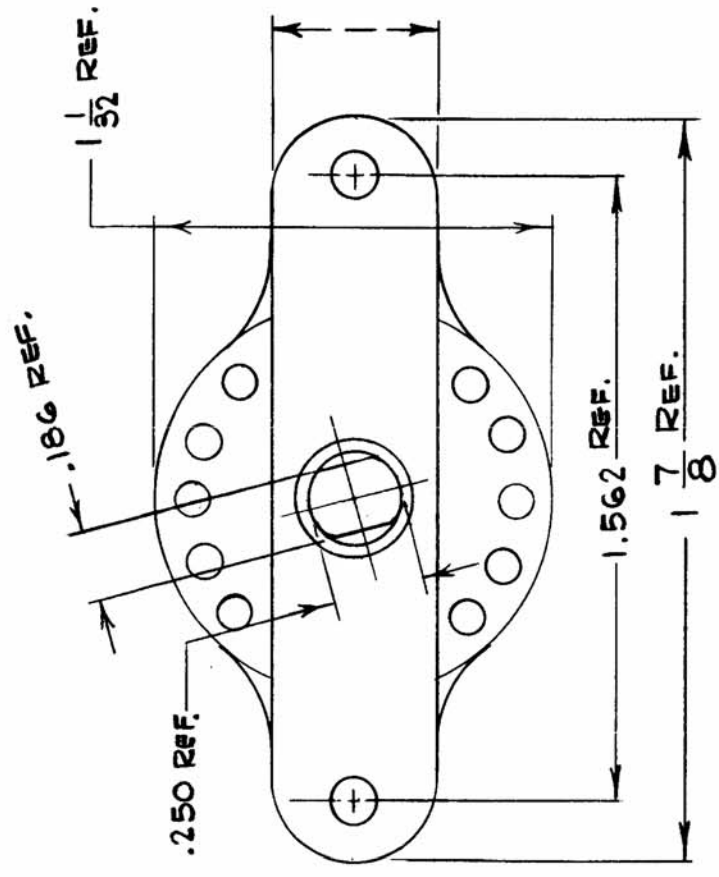
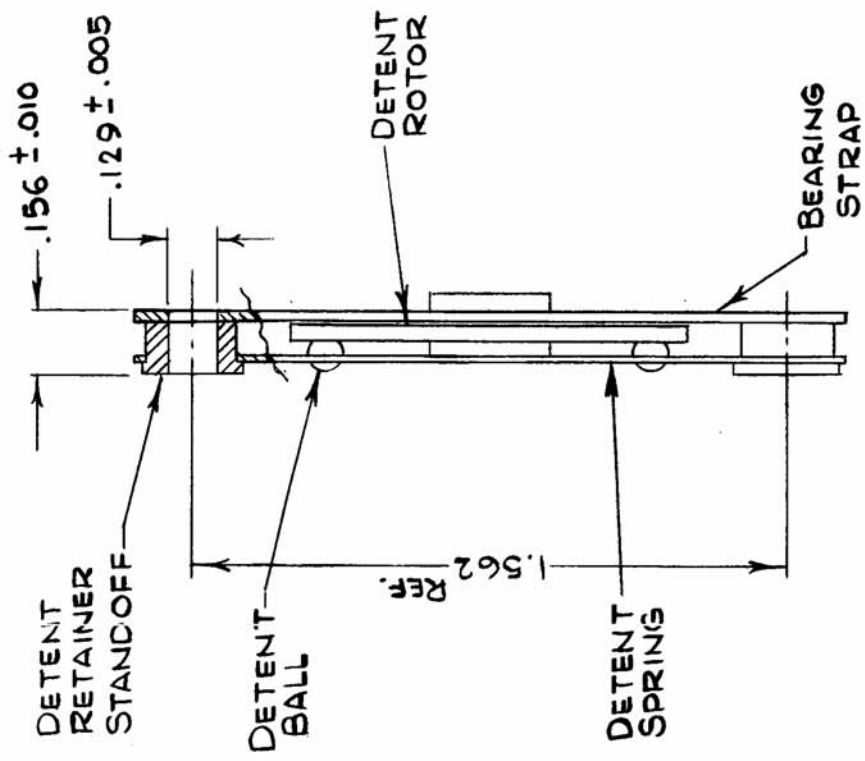


REQ. PER UNIT	USED ON	DT109 ϕ
	MODEL	
	ABSY. NO.	
	DATE	
	LRC-1	7-6-65
	LRM-1	7-6-65



REQ. ITEM	PART NO.	EATON	DESCRIPTION	SYMBOL
			THE TECHNICAL MATERIEL CORP. MAMARONECK, NEW YORK	
	STOCK SIZE		DETENT, ROTARY ASSY.	
	MATERIAL		16 POSITION	
	HEAT TREAT. SPEC.			
TYPE & TEMPER	DRAWN	H. AUSTIN	CHECKED	FINAL APPROVAL
FINISH & SPEC. NO.				DT109 ϕ

SYM	DESCRIPTION	DATE	CH. NO.	DRAFTS	CHECKER	ENG. APP.
ϕ	OR GINAL RELEASE FOR PRODUCTION	8/4/66	ϕ	CV.		
UNLESS OTHERWISE SPECIFIED DIMENSIONS ARE IN INCHES AND INCLUDE CHEMICALLY APPLIED OR PLATED FINISHES						
DECIMALS	SCALE					
.X ± .05	C					
.XX ± .01	S401-281(149700-009)					
.XXX ± .005	TOLERANCES					
	FRACTIONS ± 1/64					
	ANGLES ± 0° 30'					