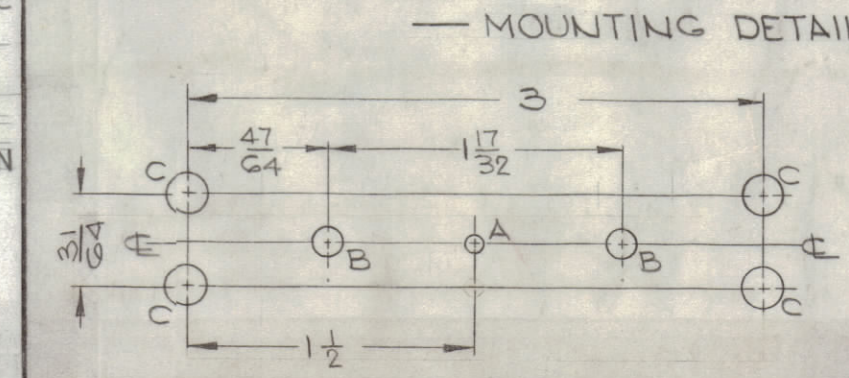
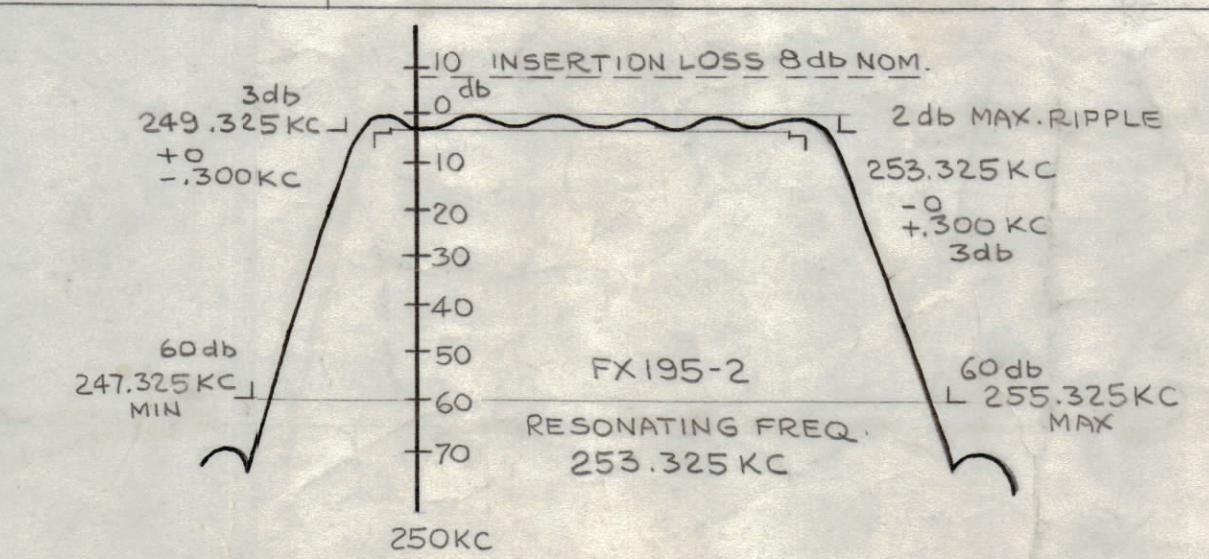
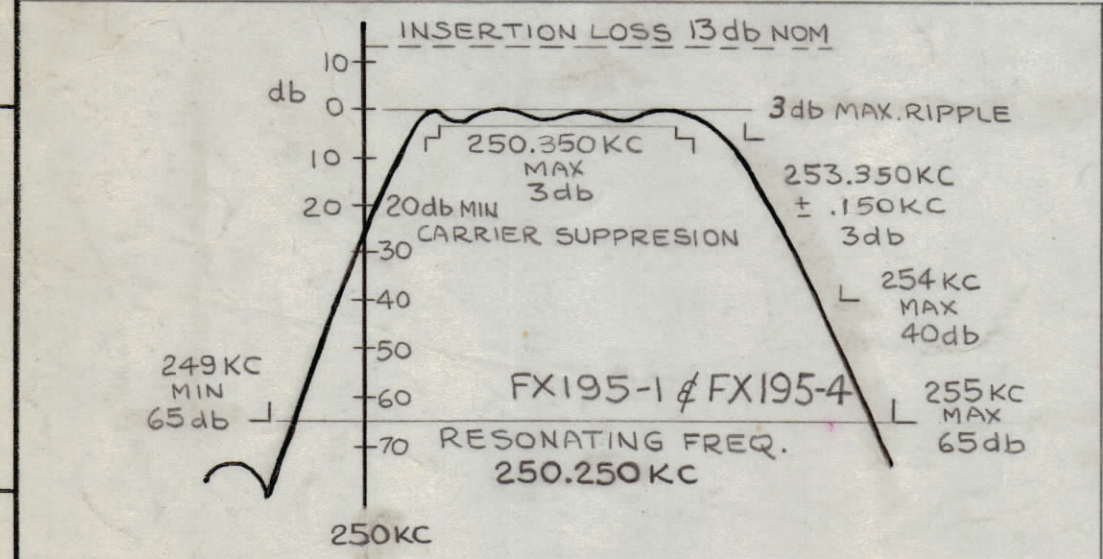
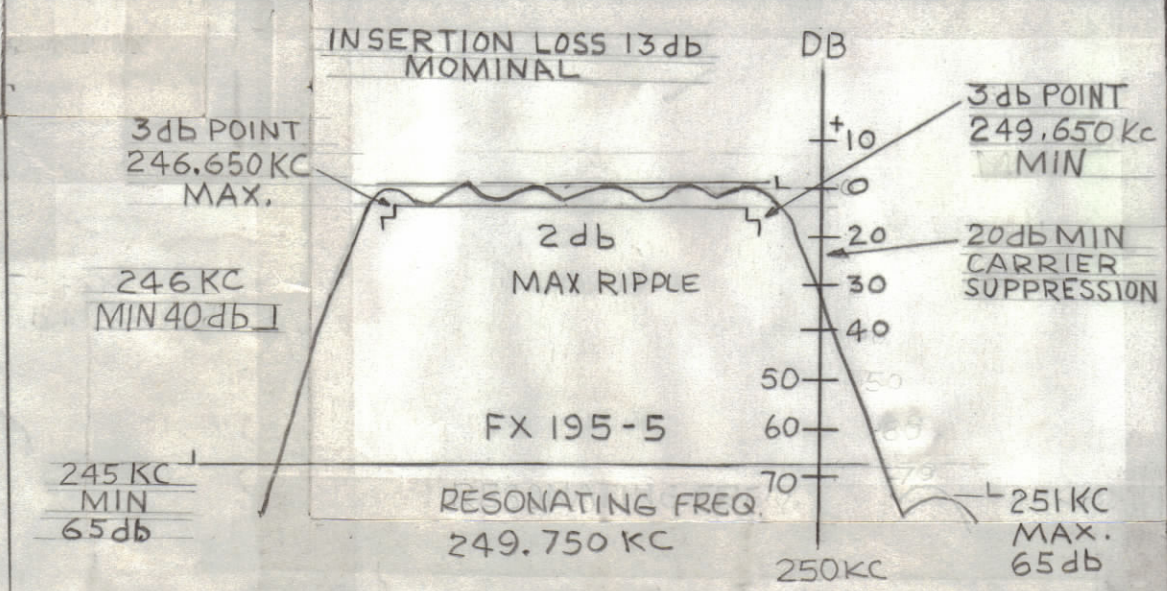
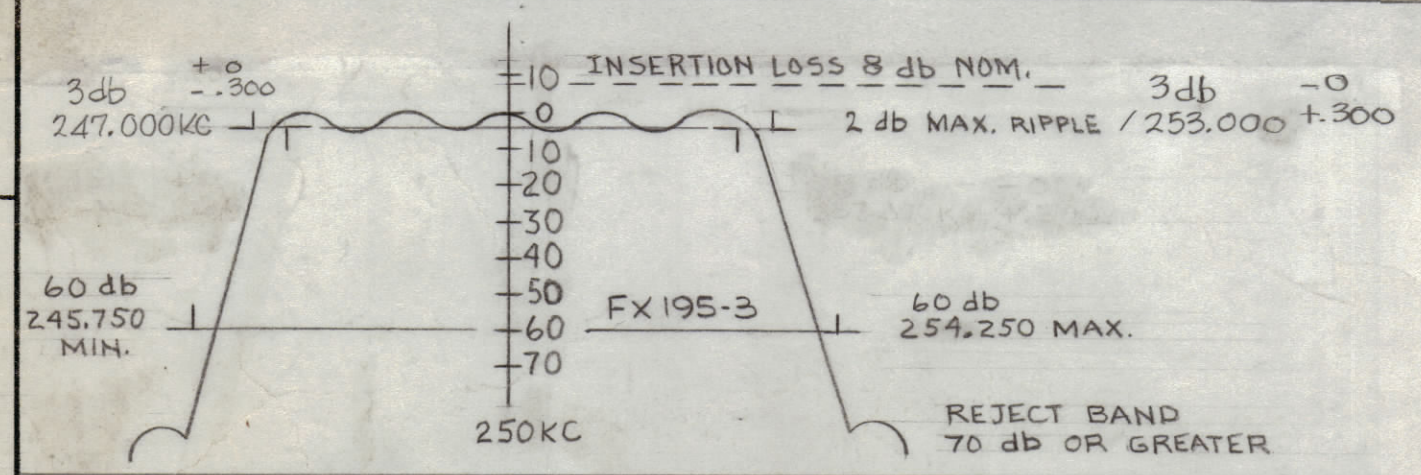
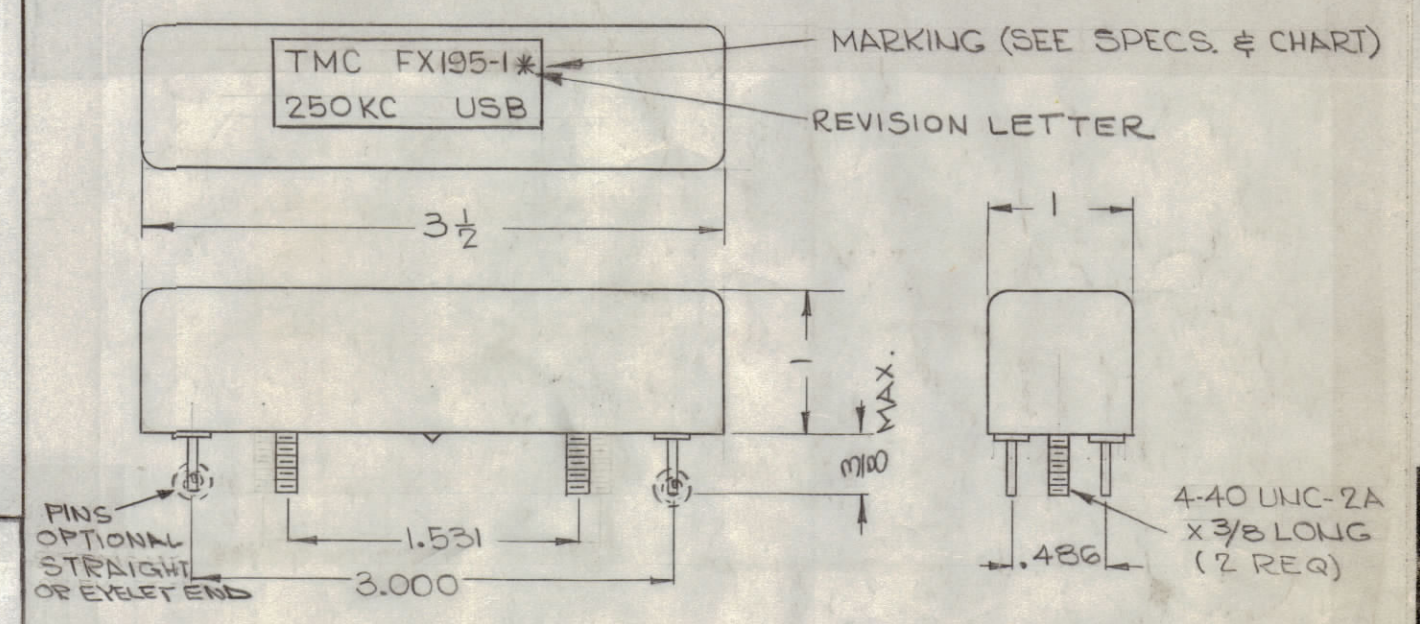
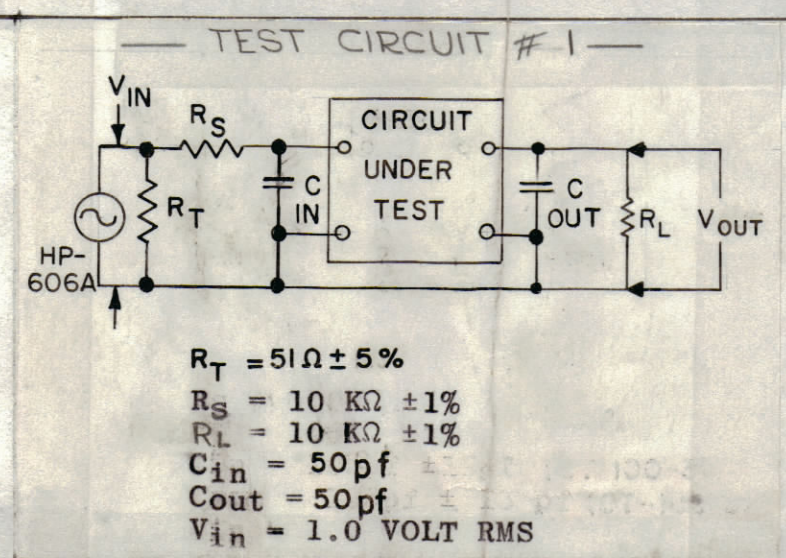
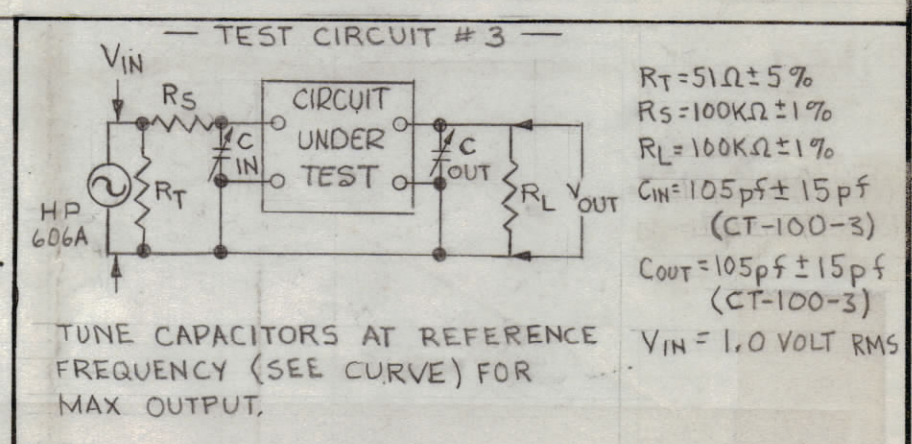
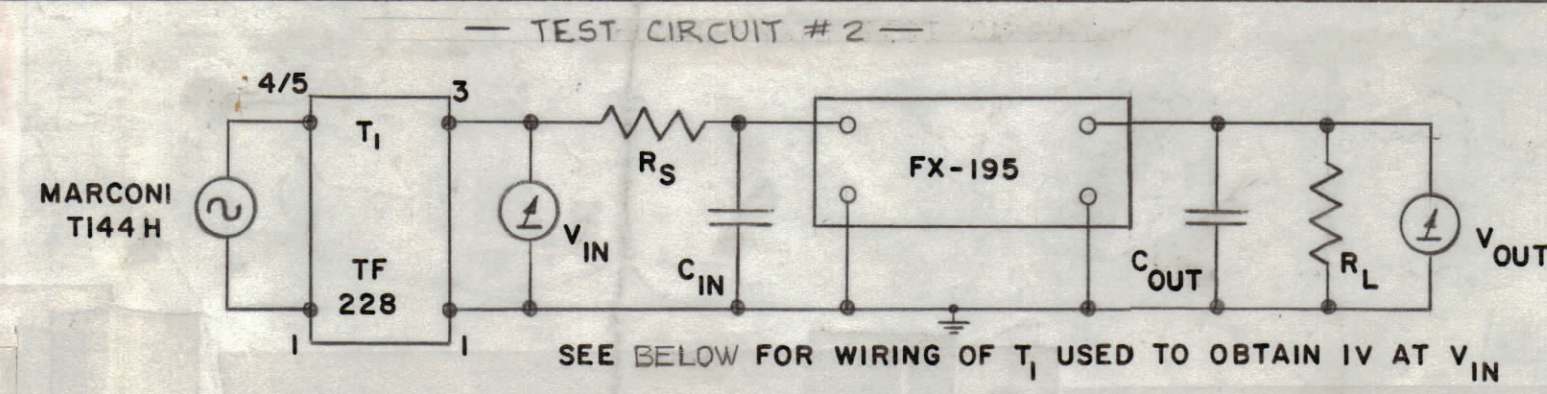


TMC PART NO.	MFRS. PART NO.	REMARKS	BANDWIDTH	MARKING	INPUT IMPEDANCE	OUTPUT IMPEDANCE	TEST CIRCUIT
FX 195-1	SPECIAL	MECHANICAL FILTER	250.350 TO 253.350 KC SEE GRAPH	TMC FX 195-1 250 KC USB	100K	100 K	# 3
FX 195-2		VESTIGIAL SIDEBAND	249.325 TO 253.325 MIN.	TMC FX195-2 250 KC USB	10K	10 K	# 1 OR 2 — OBSOLETE
FX 195-3	FIL-0033-00	SYMMETRICAL	6KC	TMC FX195-3 250KC SYM.	10K	10K	# 1 OR 2
FX195-4	XTAL	XTAL FILTER	250.350 TO 253.350 KC	TMC FX195-4 250 KC USB	10K	10K	#1 OR 2
FX195-5		XTAL FILTER	249.650 TO 246.650 KC	TMC FX195-5 250 KC LSB	10K	10K	#1 OR 2

REVISIONS						
ZONE	SYM	DESCRIPTION	DATE	E.M.N. NO.	DRAFT	CHKD
	K	ON FX195-1, 3db MAX. RIPPLE WAS 2db MAX RIPPLE	4-12-67	18103	L.A.K.	OP
	M	#2 OBSOLETE, -4#-5ADDED	9.15.67	18504	H.G.	OP

SPECIFICATIONS

- FREQUENCY DATA**
 - OPER. FREQ.: 250 kc
 - BANDWIDTH: SEE CHART
- IMPEDANCE DATA:** SEE CHART
- OPER. TEMP. RANGE:** -40°C TO +70°C
- CASE DATA**
 - MATERIAL: BRASS
 - FINISH: POWDER BLASTED NICKEL
 - CONSTRUCTION: HERMETICALLY SEALED
 - DIMENSIONS: AS SHOWN PICTORIALY
 - SPECIAL FEATURE: WILL WITHSTAND VIBRATION TEST PER MIL-STD-202A, METHOD 201A & SHOCK TEST PER MIL-STD-202A, METHOD 202A.
- TERMINAL DATA**
 - QUANTITY: 4
 - TYPE: SOLDER STUD
 - MATERIAL & FINISH:
- MOUNTING:** PER DETAIL
- MARKING:** CASE SHALL BE MARKED WITH TMC PART NO. & FREQ. AS SHOWN IN CHART WITH 1/8 HIGH BLACK GOTHIC LETTERING.



REQ'D.	ITEM	PART NUMBER	DESCRIPTION	SYMBOL
AALTONEN LIST OF MATERIAL				
MATERIAL				
THE TECHNICAL MATERIEL CORP. MAMARONECK, NEW YORK				
FINISH				
TITLE FILTER, BANDPASS (250KC)				
UNLESS OTHERWISE SPECIFIED DIMENSIONS ARE IN INCHES AND INCLUDE CHEMICALLY APPLIED OR PLATED FINISHES		DRAWN <i>LB</i> DATE 8.19.64		
DECIMALS .X ± .05 .XX ± .01 .XXX ± .005		CHECKED <i>OP</i> DATE		
FRACTIONS 1/64 ANGLES ± 0° 30'		ELECT. DES. <i>AK</i> DATE 9/10/64		
TOLERANCES		MECH. DES. <i>sc</i> DATE		
THE CONTENTS OF THIS DRAWING ARE THE EXCLUSIVE PROPERTY OF THE TECHNICAL MATERIEL CORP. ITS UNAUTHORIZED USE OR REPRODUCTION IN WHOLE OR IN PART IS STRICTLY FORBIDDEN.		FINAL APPROVAL <i>AK</i> DATE		
SCALE		SHEET		
CODE 5401-308 5401-228		REV. LTR. <i>M</i>		

STANDARD DRAWING

NOTES