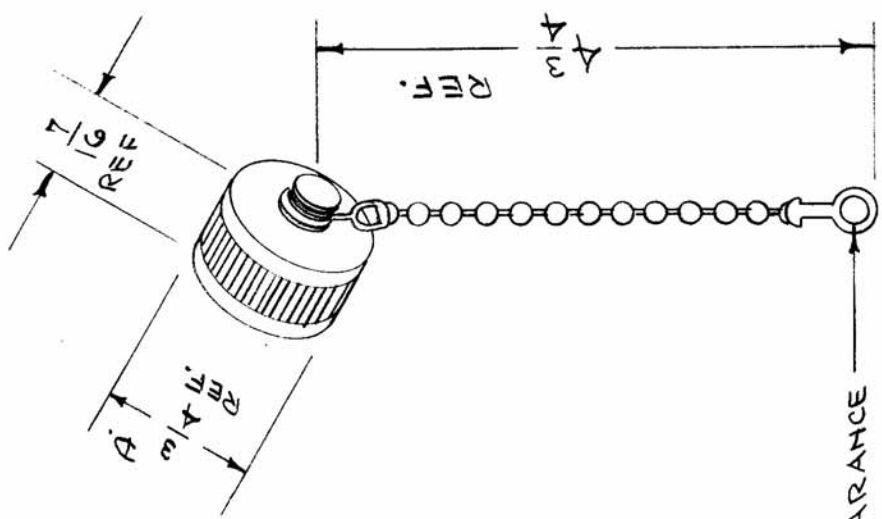


IF IT IS FOUND DESIRABLE TO CHANGE ANY TOLERANCE OR OTHER DETAIL SPECIFIED ON THIS DRAWING NOTIFY THE PURCHASER PROMPTLY.

MAXIMUM ALLOWABLE TOLERANCES HAVE BEEN DETERMINED AND DEVIATIONS WILL BE CAUSE FOR REJECTION. REMOVE ALL BURRS AND SHARP EDGES



6-32 CLEARANCE

HB-104

REQ. PER UNIT 1	USED ON	
	MODEL CTAC	PROJECT NO. 311
	ASSY. NO. A-499	DATE 6-30-54

AMERICAN PHENOLIC CORP. NO. B3-1AC

REQ. ITEM	PART NO.	DESCRIPTION	SYMBOL
#		THE TECHNICAL MATERIEL CORP. MAMARONECK. NEW YORK	
STOCK SIZE	#	CAP AND CHAIN	
MATERIAL	#	UHF	
WEIGHT PER PC.	#		
TYPE & TEMPER	#		
HEAT TREAT. SPEC.	#		
FINISH & SPEC. NO.	#		
DRAWN		C.D. G-30-54	MECH. DES. APP.
CHECKED		APP	MECH. DES. APP.
FINAL APPROVAL			

ISSUE ITEM	CHANGED FROM	DATE	CN. NO.	DRAFTS CHECKER	ENG. APP.
	TOLERANCES		SCALE	S-401-71 - 83-1AC	
ALL DEC. DIM. ±					
OTHERS FRAC. DIM. ±					
ANGULAR DIM. ±					

DRILL, PUNCH, COMMERCIAL STOCK SIZES AND MANUFACTURERS TOLERANCES ARE NOT INCLUDED.