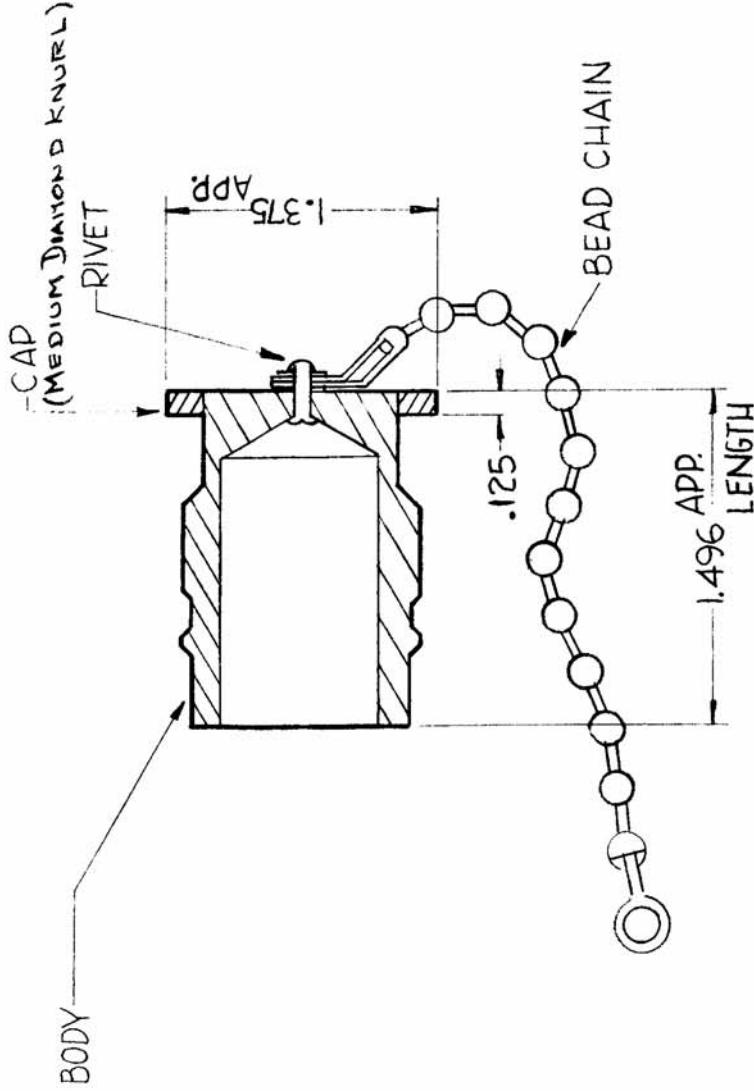


REQ. PER. UNIT	MODEL	USED ON
		HB-116
	ASSY. N.	DATE
		5-2-61

MATERIAL : BODY ~ BRASS  
 FINISH : SILVER PLATED w/RHODIUM  
 FLASH  
 MATES w/ ALL QDL PLUGS  
 CHAIN LENGTH - 7 1/2 INCHES



REQ. ITEM	PART NO.	DESCRIPTION	SYMBOL
		THE TECHNICAL MATERIEL CORP. MAMARONECK, NEW YORK	
		COVER, ELECTRICAL CONNECTOR	
		CAP TYPE QDL	
		<i>D.O. JAMES</i>	
		CHECKED	
		DRAWN	
		TYPE & TEMPER	HEAT TREAT. SPEC.
		FINISH & SPEC. NO.	
		SCALE: S-401-70 (2017)	
		MAXIMUM ALLOWABLE TOLERANCES HAVE BEEN DETERMINED AND ANY DEVIATIONS WILL BE CAUSE FOR REJECTION. REMOVE ALL BURRS AND SHARP EDGES	
ISSUE ITEM	CHANGED FROM	TOLERANCES	
		DEC. DIM. ±	
		FRAC. DIM. ±	
		ANGULAR DIM. ±	
		ELEC. DES. APP. MECH. DES. APP.	FINAL APPROVAL
		<i>[Signature]</i>	HB-116