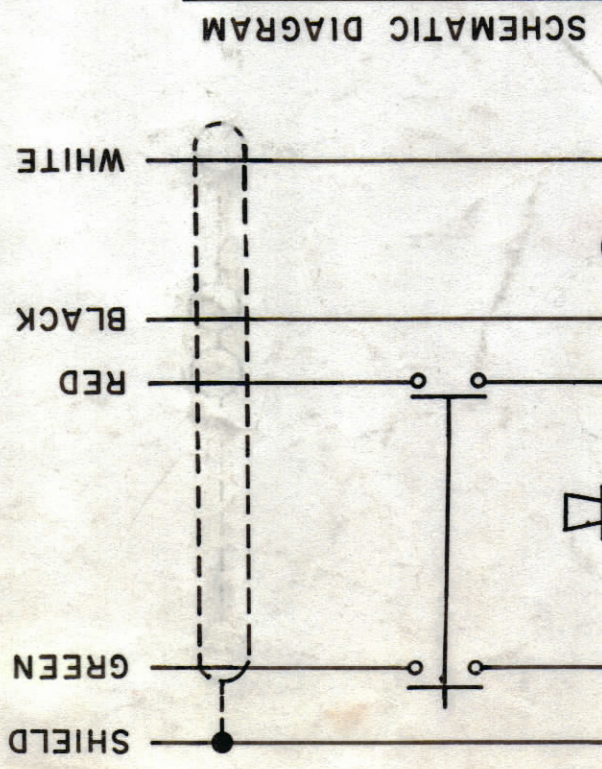
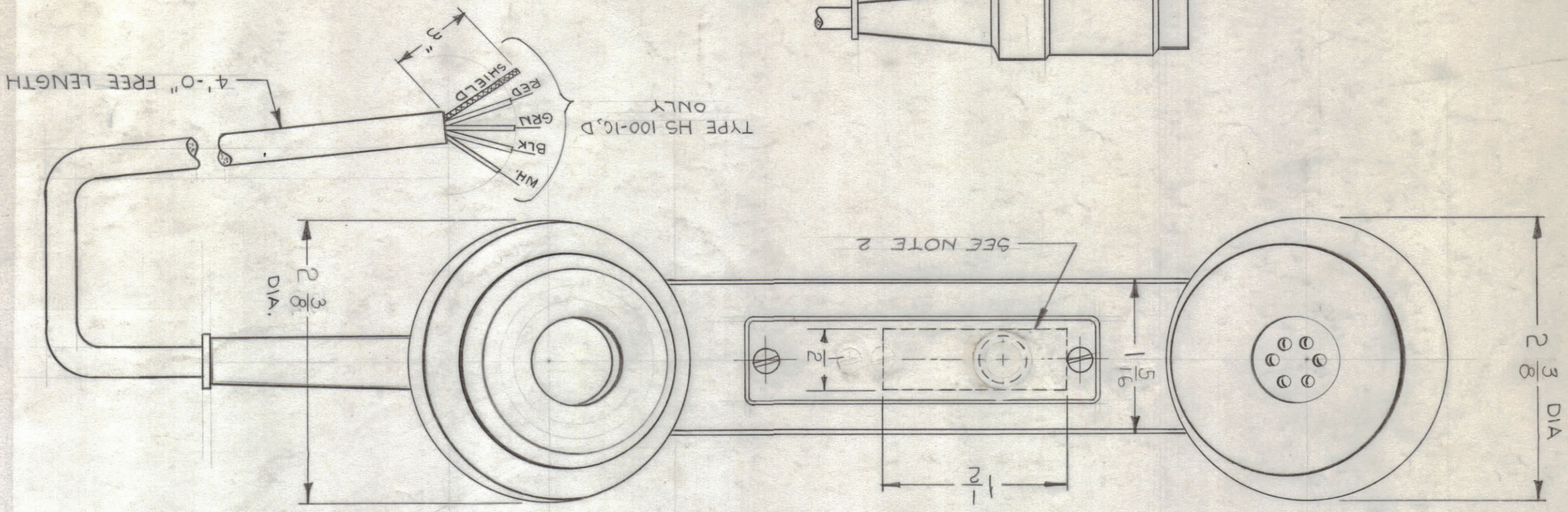
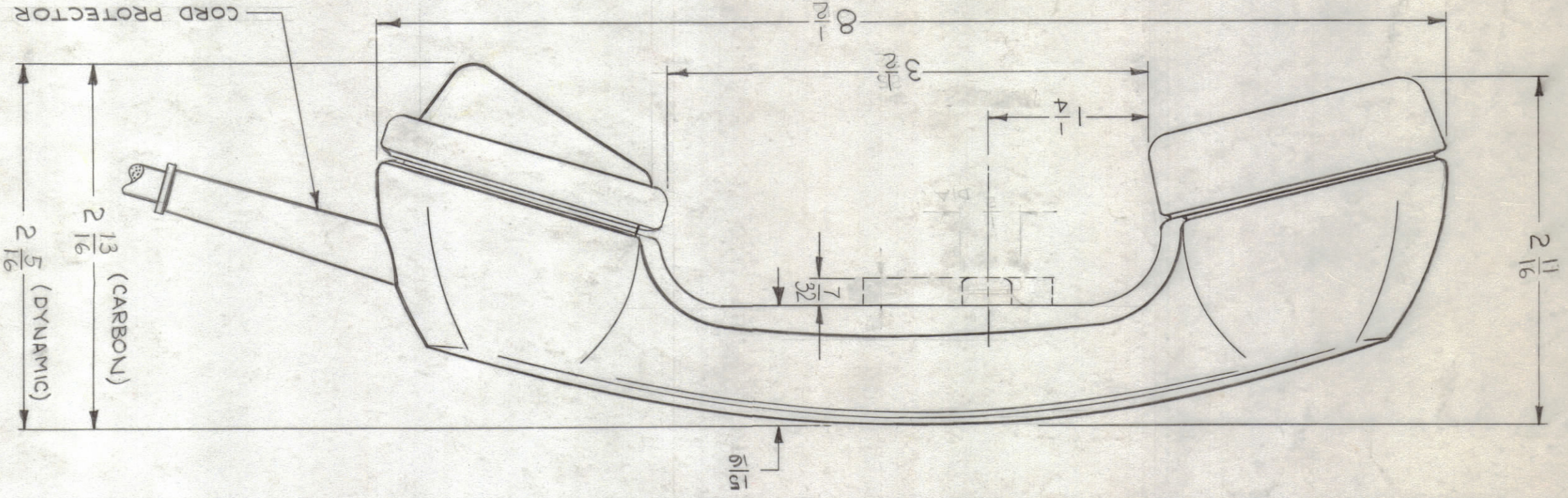


TMC PART NUMBER	TMC CONNECTOR NUMBER	PLUG CONNECTIONS					MIC. ELEMENT	RECEIVER IMPEDANCE AT 1000 CPS
		WHITE	BLACK	GREEN	RED	SHIELD		
HS 100-1C	NONE	-	-	-	-	CARBON	650 Ω	
HS 100-1D	NONE	-	-	-	-	DYNAMIC	650 Ω	
HS 100-2C	PL 208	3	6	2	4	CARBON	650 Ω	
HS 100-2D	PL 208	3	6	2	5	DYNAMIC	650 Ω	
HS 100-3C	PL 208	3	1	2	4	CARBON	650 Ω	
HS 100-3D	PL 208	3	1	2	5	DYNAMIC	650 Ω	



SCHMATIC DIAGRAM



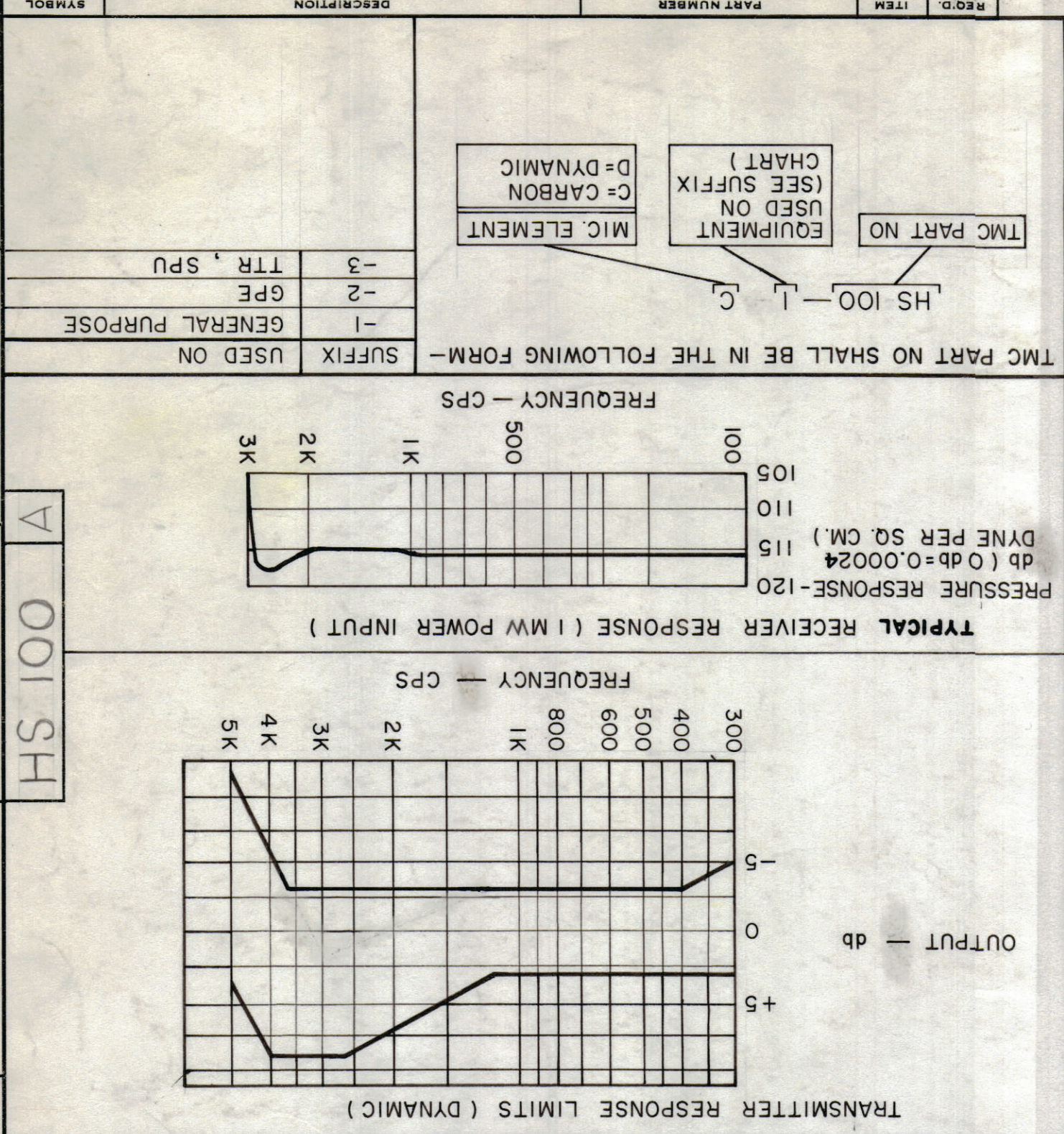
NOTES

NOTE: 1
DIMENSIONS FOR REF. ONLY
NOTE: 2 - SWITCH TYPE OPTIONAL
BUTTON TYPE ON 1/4 CENTER AS SHOWN

STANDARD DRAWING

QTY./UNIT MODEL USED ON ASS'Y. NO.
SCALE # 8401-258 (R-500H)
C
OF THE TECHNICAL MATERIEL CORP. ITS UNAUTHORIZED USE OR REPRODUCTION IN WHOLE OR IN PART IS STRICTLY FORBIDDEN.

REV. LTR.	DATE	DESCRIPTION
A	1-13-64	HS 100
A	1-13-64	HANDSET, RADIOTELEPHONE



SPECIFICATIONS

MICROPHONE - DYNAMIC
(A) IMPEDANCE: 2,000 ± 500 OHMS AT 1000 CPS
(B) SENSITIVITY: -65 ± 3db (REF. 1MW/M-2)
(C) OUTPUT (EXPECTED SPEECH VOLUME LEVEL): 3M
(D) MINIMUM AMP. INPUT CAPACITY: -40db (REF. 1MW AT 2,000 OHMS)
(E) MFG. PART NO. (HANDSET): 104160

MICROPHONE - CARBON
(A) OUTPUT (REF. 1 MV AT 1,000 CPS WITH 103 db INPUT REF. 0.0002 DYNE PER SQUARE CM.): 40 db
(B) SIGNAL TO NOISE RATIO: 14db MINIMUM
(C) CARBON BURNING NOISE: 0.001 VOLT MAXIMUM
(D) NOMINAL D.C. RESISTANCE: 40 OHMS
(E) RECOMMENDED OPERATING CURRENT: 50 TO 100 M.A.
(F) MAXIMUM INTERMITTENT CURRENT: 250 M.A.
(G) FREQUENCY RANGE: 300 TO 3500 CPS
(H) MFG. PART NO. (HANDSET): 10915

REVISIONS

ZONE	SYM	DESCRIPTION	DATE	E.M.N. NO.	DRAFT	CHKD	APPD
	Δ	SPEC'S - OUTPUT CURVE REV. "TR RCVE RESP" WAS REV. 1000 CPS AND BEING TO BE REV. IMP	3-11-66	15042			
	Δ	514D SYM REV. 1000 CPS AND BEING TO BE REV. IMP	3-11-66	15042			
		COL. 5401-425 ADDED					