

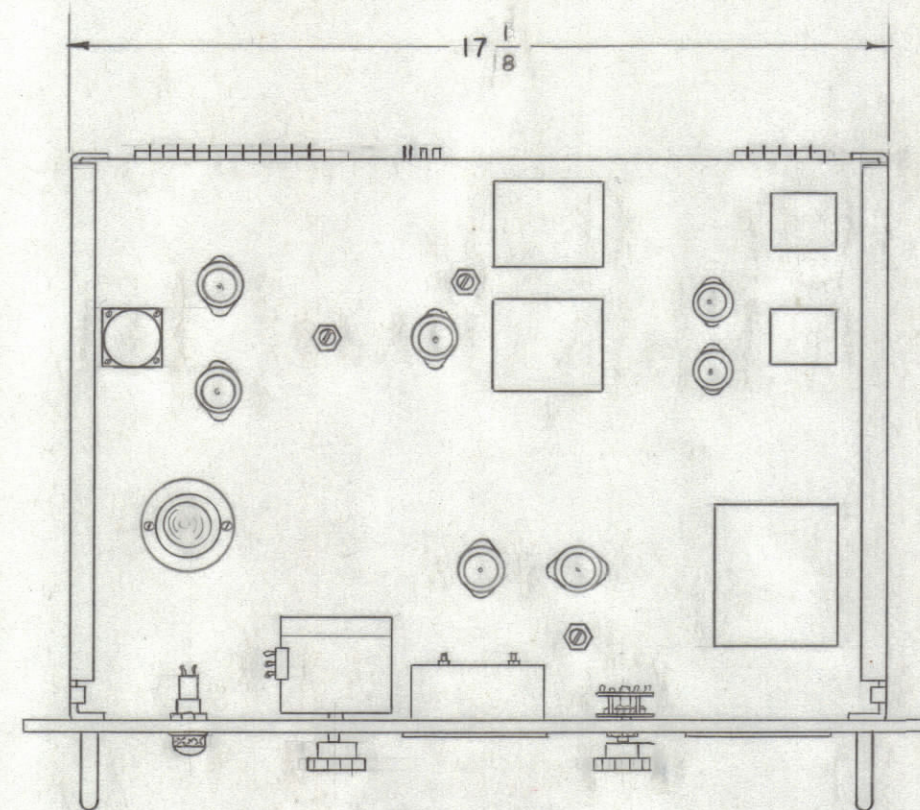
IF IT IS FOUND DESIRABLE TO CHANGE ANY TOLERANCE OR OTHER DETAIL SPECIFIED ON THIS DRAWING NOTIFY THE PURCHASER PROMPTLY.

MAXIMUM ALLOWABLE TOLERANCES HAVE BEEN DETERMINED AND DEVIATIONS WILL BE CAUSE FOR REJECTION. REMOVE ALL BURRS AND SHARP EDGES

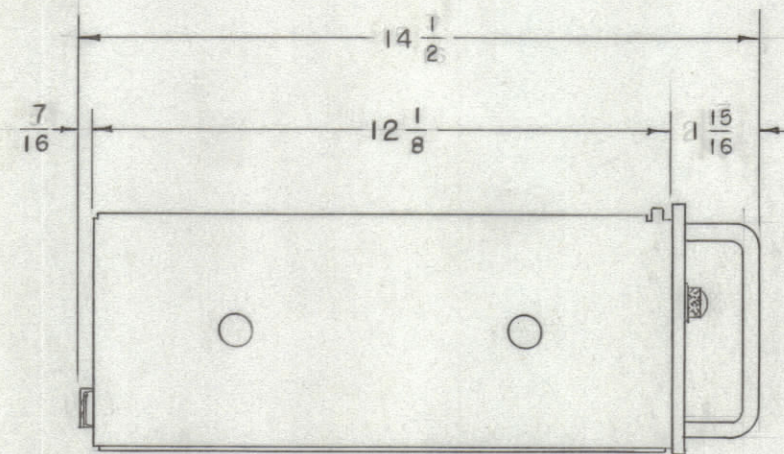
NOTICE TO PERSONS RECEIVING THIS DRAWING

THE TECHNICAL MATERIEL CORPORATION claims proprietary right in the material disclosed hereon. This drawing is issued in confidence for engineering information only and may not be reproduced or used to manufacture anything shown hereon without permission from THE TECHNICAL MATERIEL CORPORATION to the user. This drawing is loaned for mutual assistance and is subject to recall at any time.

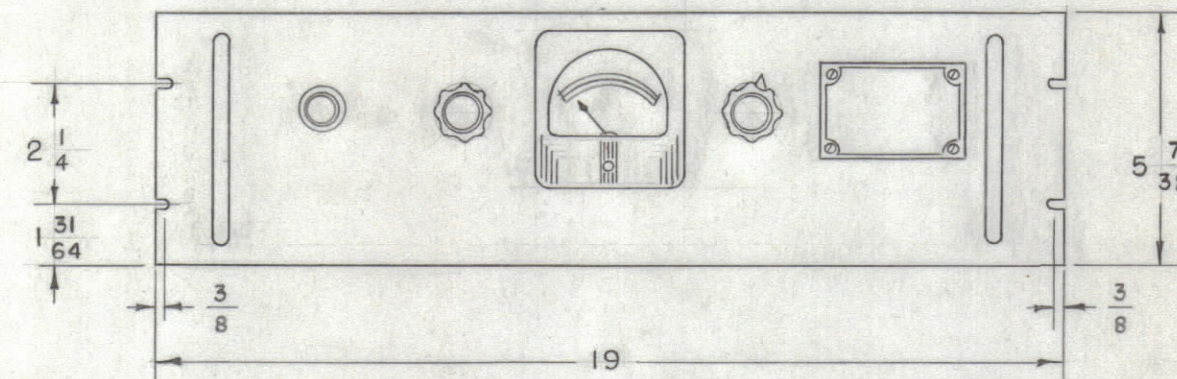
Property of:
THE TECHNICAL MATERIEL CORPORATION
MAMARONECK, NEW YORK



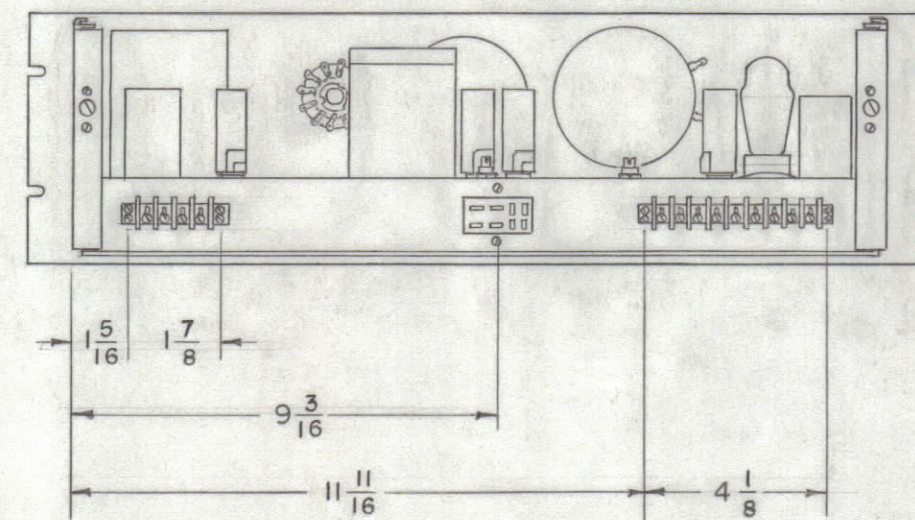
TOP VIEW
(COVER REMOVED)



LEFT SIDE VIEW



FRONT VIEW



REAR VIEW

ID-151

ISSUE	ITEM	CHANGED FROM	DATE	CN. NO.	DRAFTS	CHECKER	ENG. APP.
TOLERANCES							
ALL OTHERS			SCALE:				
DEC. DIM. ±			DRILL, PUNCH, COMMERCIAL STOCK				
FRAC. DIM. ±			SIZES AND MANUFACTURERS				
ANGULAR DIM. ±			TOLERANCES ARE NOT INCLUDED.				

MODEL	PROJECT NO.	ASSY. NO.	DATE
USED ON			

REQ.	ITEM	PART NO.	DESCRIPTION	SYMBOL
THE TECHNICAL MATERIEL CORP.				
MAMARONECK, NEW YORK				
AMPLIFIER AUDIO FREQUENCY				
AM-5028 () FRA-501				
STOCK SIZE			1/16 7-27-55	WPC
MATERIAL			DRWN	ELEC. DES. APP. MECH. DES. APP.
WEIGHT PER PC.			A. J. J.	
TYPE & TEMPER			FINAL APPROVAL	
HEAT TREAT. SPEC.			CHECKED	
FINISH & SPEC. NO.			ID-151	