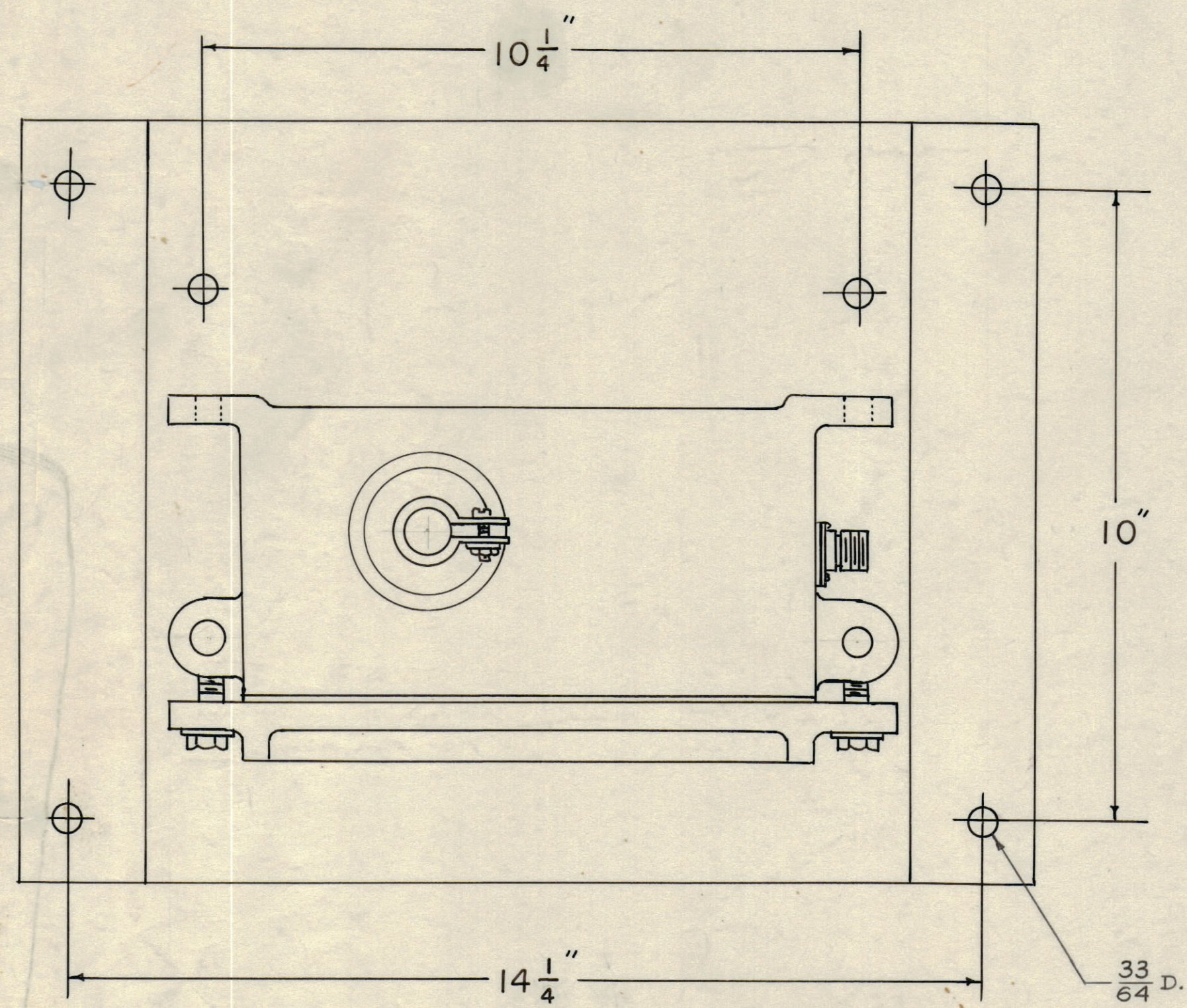
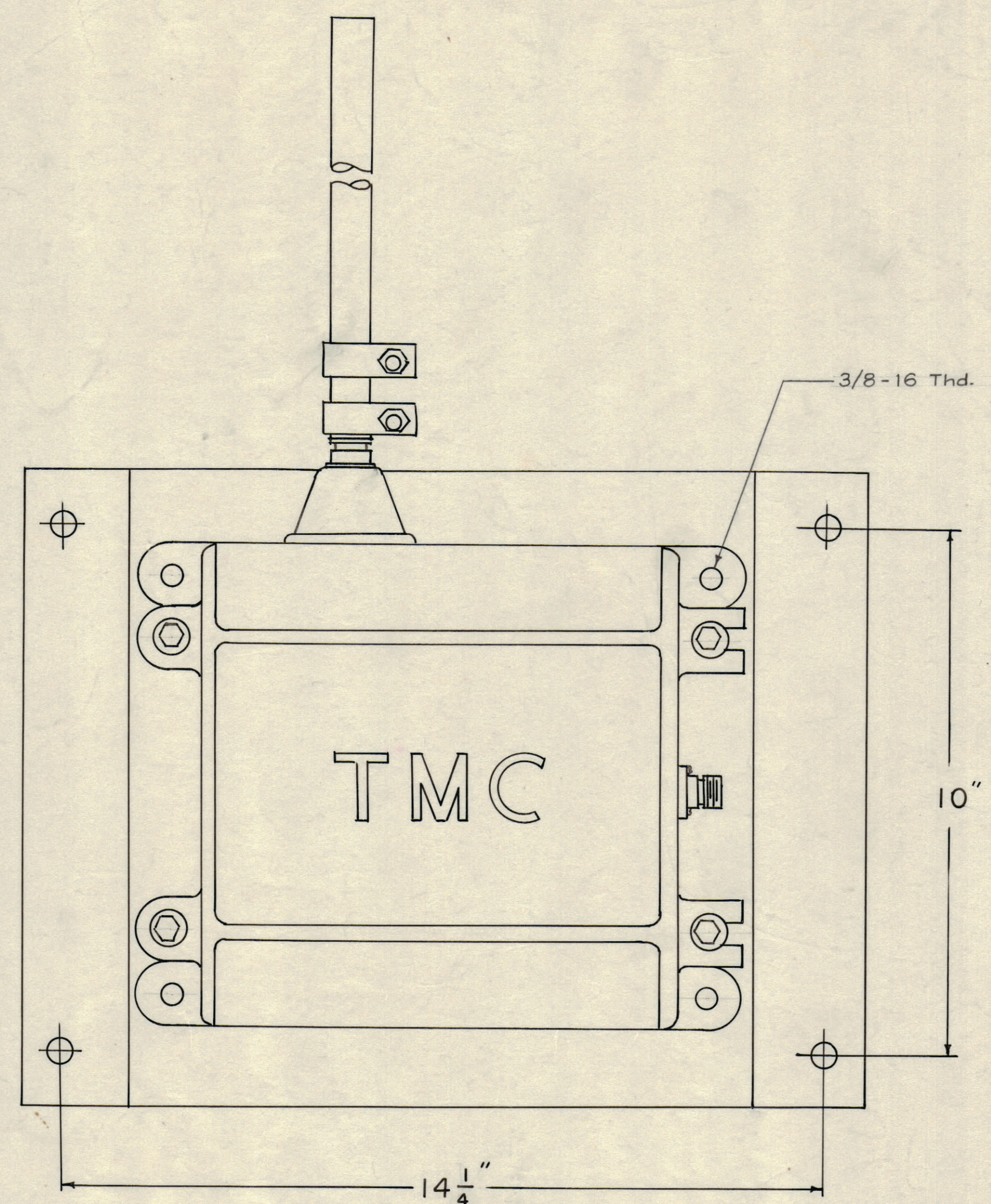


IF IT IS FOUND DESIRABLE TO CHANGE ANY TOLERANCE OR OTHER DETAIL SPECIFIED ON THIS DRAWING NOTIFY THE PURCHASER PROMPTLY.
 MAXIMUM ALLOWABLE TOLERANCES HAVE BEEN DETERMINED AND DEVIATIONS WILL BE CAUSE FOR REJECTION. REMOVE ALL BURRS AND SHARP EDGES

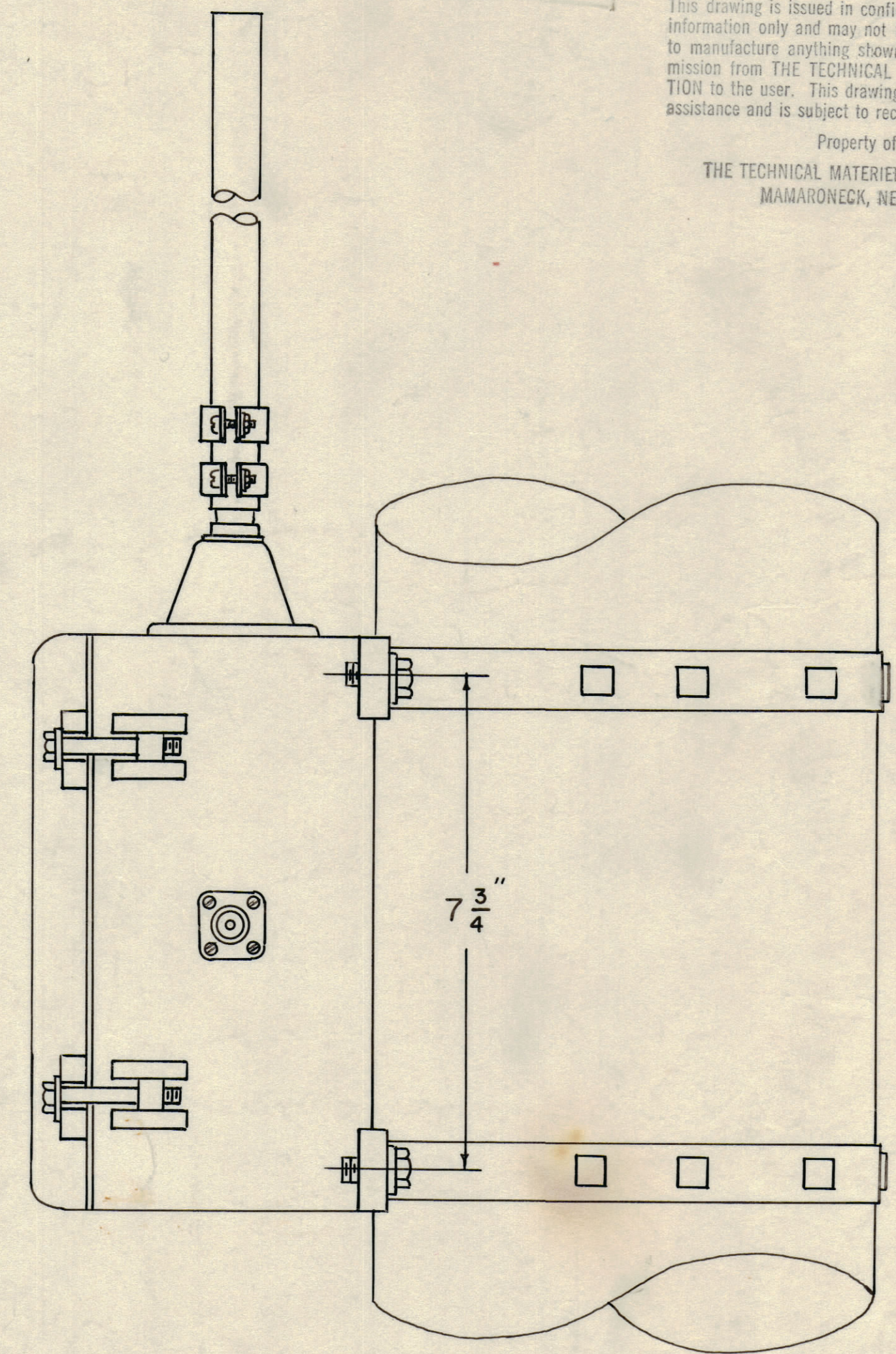
NOTICE TO PERSONS RECEIVING THIS DRAWING
 THE TECHNICAL MATERIEL CORPORATION claims proprietary right in the material disclosed herein. This drawing is issued in confidence for engineering information only and may not be reproduced or used to manufacture anything shown herein without permission from THE TECHNICAL MATERIEL CORPORATION to the user. This drawing is loaned for mutual assistance and is subject to recall at any time.
 Property of:
 THE TECHNICAL MATERIEL CORPORATION
 MAMARONECK, NEW YORK



HORIZONTAL PLANE MOUNTING



VERTICAL PLANE MOUNTING



POLE MOUNTING

1D-160
A

A	14 1/4 WAS 14 1/2	6-11-56	1	CDD	<i>[Signature]</i>	<i>[Signature]</i>
ISSUE	ITEM	CHANGED FROM	DATE	CN. NO.	DRAFTS	CHECKER
TOLERANCES		SCALE:				
ALL	DEC. DIM. ±	DRILL, PUNCH, COMMERCIAL STOCK				
OTHERS	FRAC. DIM. ±	SIZES AND MANUFACTURERS				
	ANGULAR DIM. ±	TOLERANCES ARE NOT INCLUDED.				

FORM - 111

FIGURE 15

REQ. ITEM	PART NO.	DESCRIPTION	SYMBOL
		THE TECHNICAL MATERIEL CORP. MAMARONECK, NEW YORK	
		INSTALLATION	
		V R A	
		P B	
		DRAWN	ELEC. DES. APP. MECH. DES. APP.
		CHECKED	FINAL APPROVAL
			1D-160 A
REQ. PER UNIT	MODEL	PROJECT NO.	ASSY. NO. DATE
			USED ON
			FINISH & SPEC. NO.