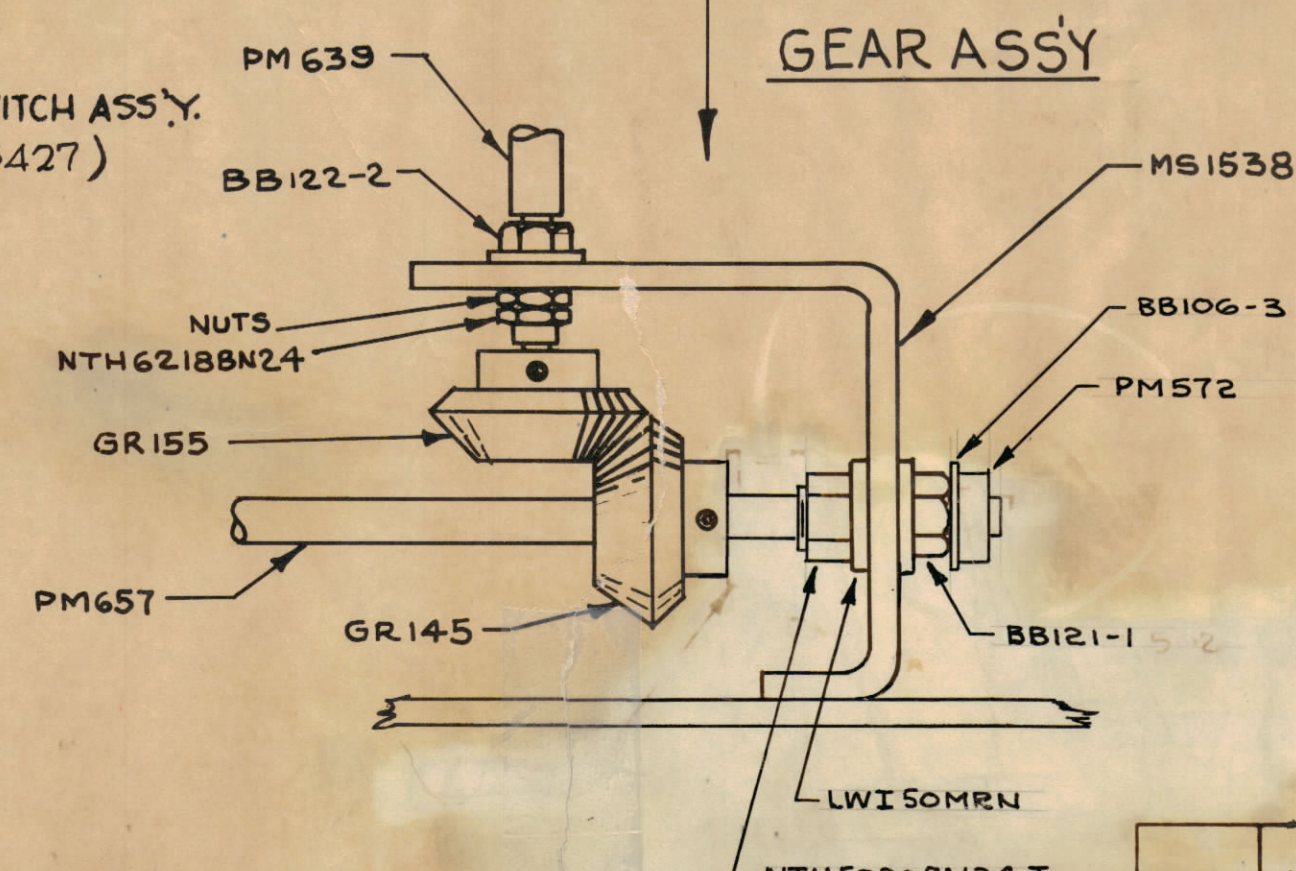
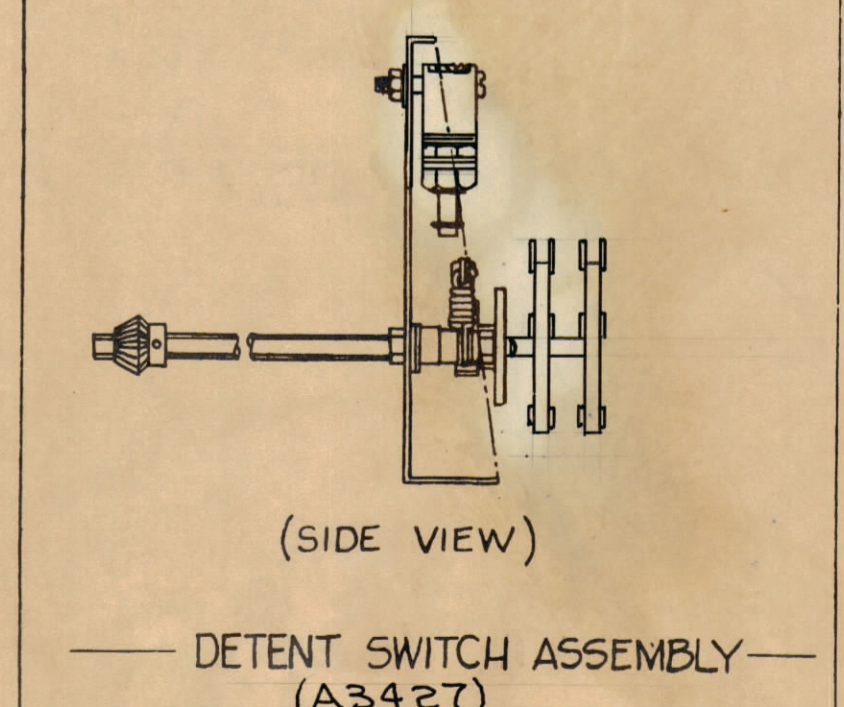


WS-131 WIRING DETAIL (S908 A & B)  
AS VIEWED FROM FRONT OF TRANSMITTER

- CONNECTION LEGEND
- |        |                     |                                |
|--------|---------------------|--------------------------------|
| TUBING | (2) CA-409-37-9.00  | - TC900 to L916, 917           |
| WIRE   | (1) CA-412-3-13.00  | - S903(EMERG) to J905          |
| WIRE   | (1) CA-412-6-6.00   | - S903(WIPER) to TC900         |
| WIRE   | (2) CA-412-14-19.50 | - L916 to C1019, L917 to C1020 |
| BUSS   | (1) CA-412-15-9.50  | - S903(TUNE) to R911, 12, 13   |
| BUSS   | (1) CA-412-16-2.75  | - TC900 to C911                |
- 
- |        |                    |                               |
|--------|--------------------|-------------------------------|
| STRAPS | (1) MS-202-24-7.25 | - S903(OPER) to C916 (OUTBAL) |
| STRAPS | (2) MS-202-5-5.62  | - R911 to 12, 912 to 13       |
| STRAPS | (1) MS-202-8-7.62  | - C911 to C928 (PA LOAD)      |
| STRAPS | (1) MS-2535        | - S903(OPER) to F.T.          |
| STRAPS | (1) MS-202-27-2.50 | - L907 to S903(EMERG.)        |



PERSONS RECEIVING THIS DRAWING  
 THE TECHNICAL MATERIEL CORPORATION claims  
 proprietary right in the material disclosed hereon.  
 This drawing is issued in confidence for engineering  
 information only and may not be reproduced or used  
 to manufacture anything shown hereon without per-  
 mission from THE TECHNICAL MATERIEL CORPORA-  
 TION to the user. This drawing is loaned for mutual  
 assistance and is subject to recall at any time.  
 Property of:  
 THE TECHNICAL MATERIEL CORPORATION  
 MAMARONECK, NEW YORK

+	ORIGINAL RELEASE FOR PRODUCTION	12-1-64			
X	EXPERIMENTAL RELEASE	12-1-64			
SYM	ZONE	DESCRIPTION	DATE	CH. NO.	DRAFTS
UNLESS OTHERWISE SPECIFIED:		SCALE			
DIMENSIONS ARE IN INCHES		MAXIMUM ALLOWABLE TOLERANCES HAVE			
TOLERANCES ON		BEEN DETERMINED AND ANY DEVIATIONS			
FRACTIONS 1/64		WILL BE CAUSE FOR REJECTION.			
DECIMALS 0.005		REMOVE ALL BURRS & SHARP EDGES			
ANGLES 1/2°					

REQ. UNIT	PART NO.	DESCRIPTION	SYMBOL
		THE TECHNICAL MATERIEL CORP.	
		MAMARONECK, NEW YORK	
		10K MODIFICATION FOR 40K	
		DRIVER (W/O SWR)	
		DATE	APPROVAL
		12-1-64	
		FINISH & SPEC. NO.	
		ELEC. DES. APP.	
		MECH. DES. APP.	
		SHEET	
		OF	

ID 299