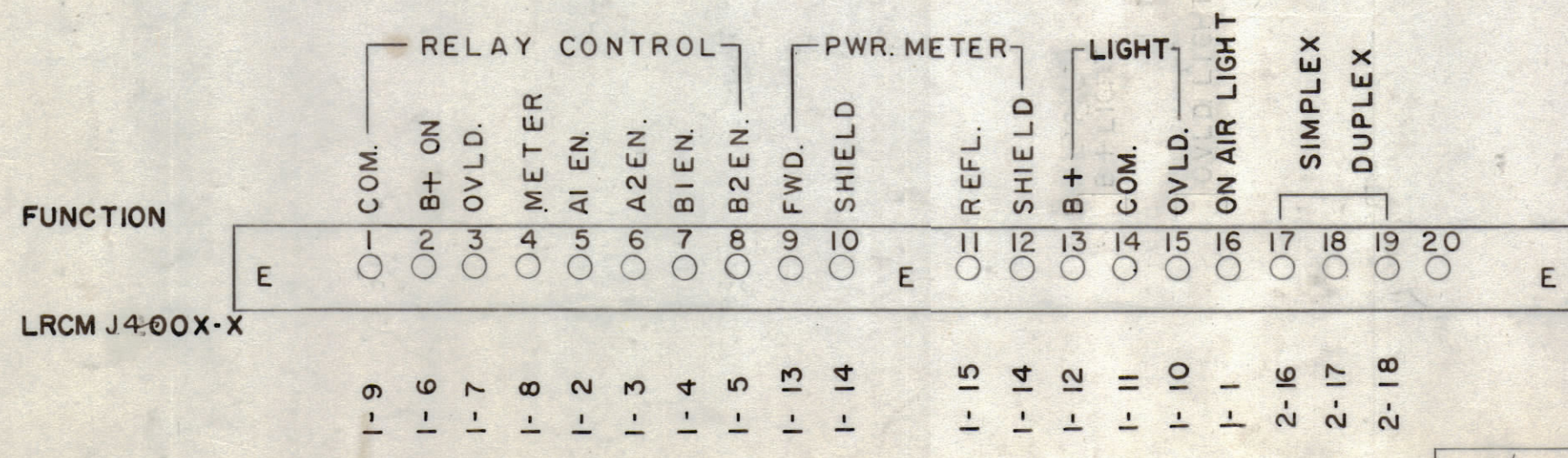
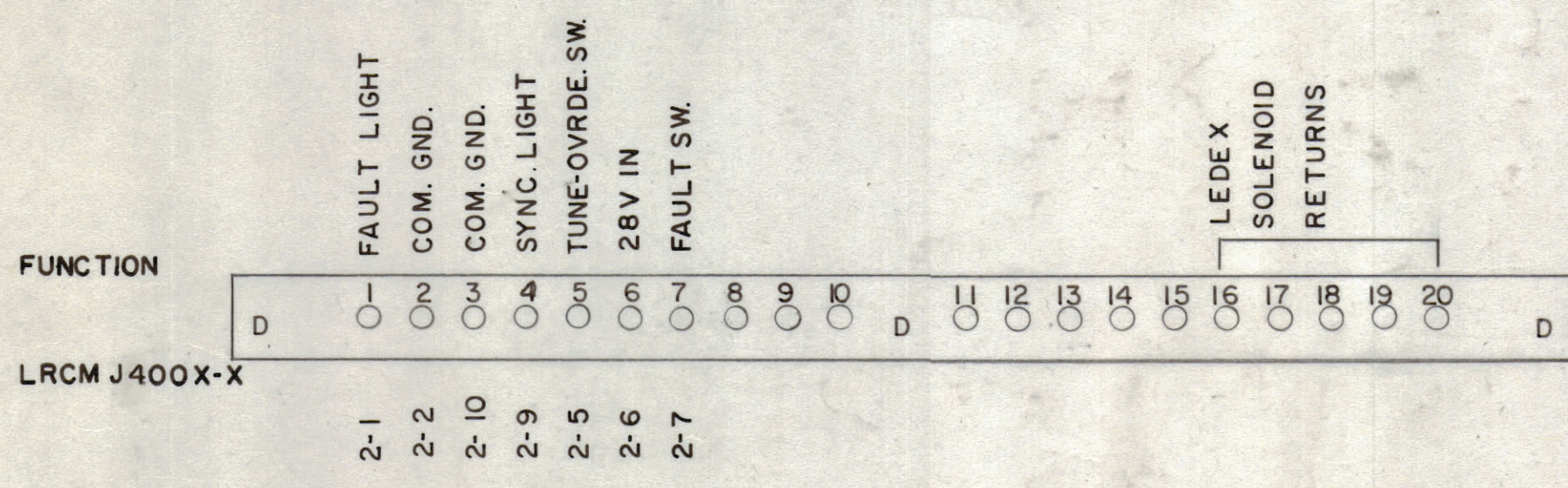
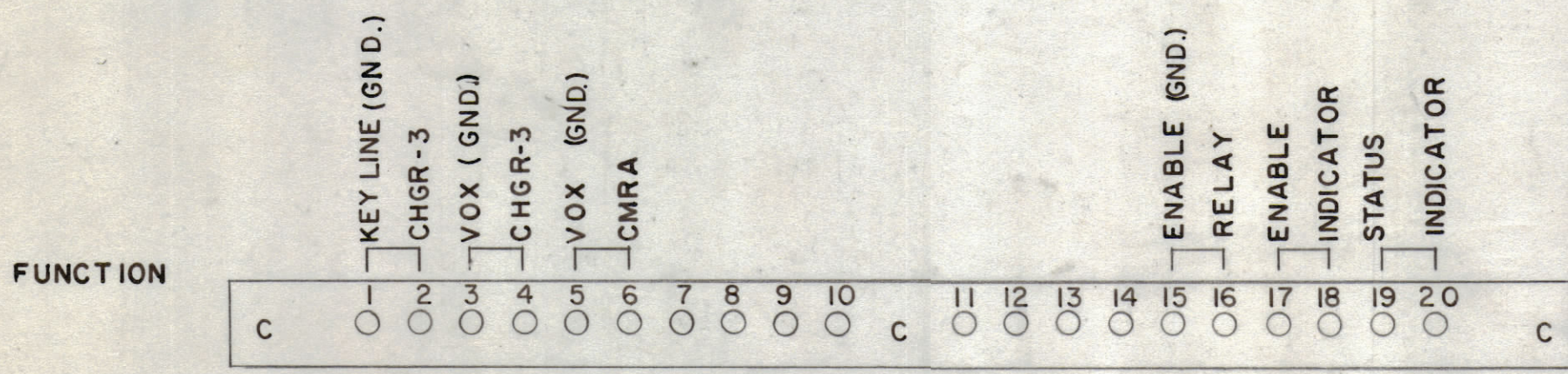
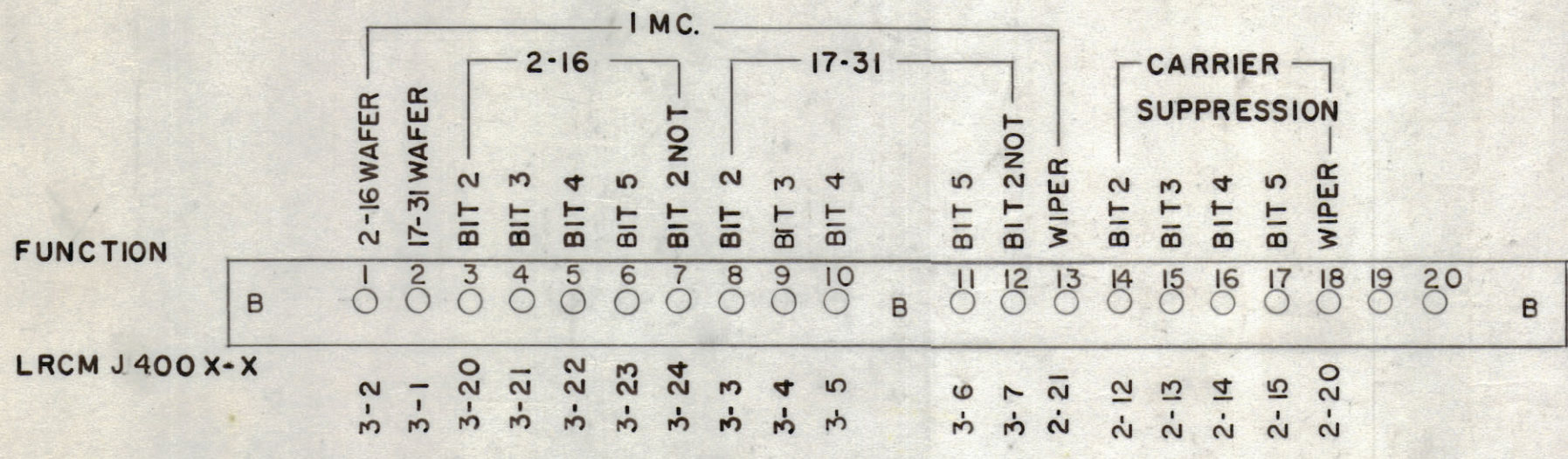
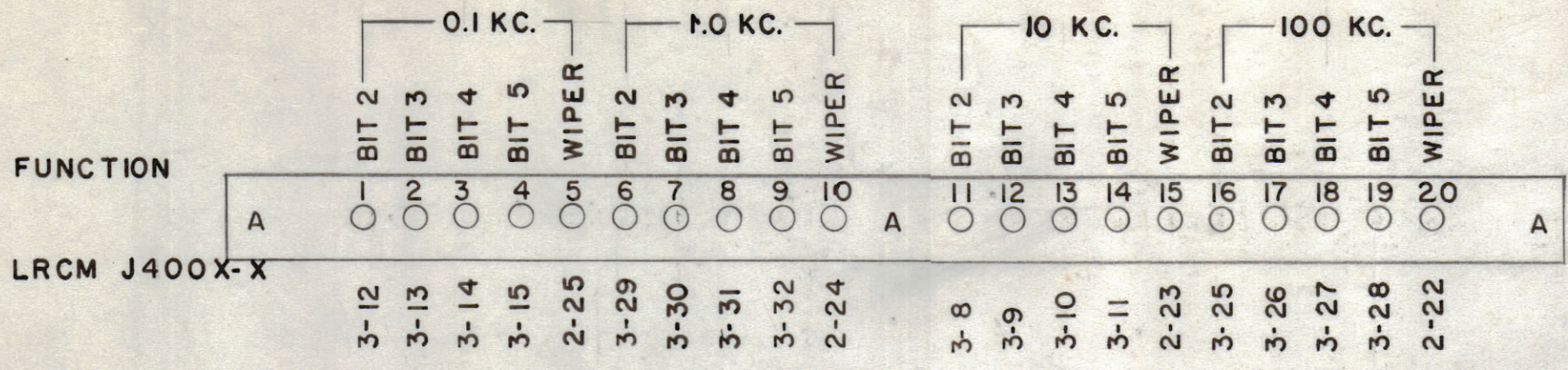


REVISIONS							
ZONE	SYM	DESCRIPTION	DATE	E.M.N. NO.	DRAFT	CHKD	APPD
		ORIGINAL RELEASE FOR PRODUCTION	8/17/65				



ID 321

REQ'D.	ITEM	PART NUMBER	DESCRIPTION	SYMBOL
E.NAP LIST OF MATERIAL				
MATERIAL THE TECHNICAL MATERIEL CORP. MAMARONECK, NEW YORK				
FINISH TITLE INSTALLATION DRAWING TB4004 KEYING-CONTROL LINES				
DRAWN		DATE	FINAL APPROVAL	
CHECKED		DATE	DATE	
ELECT. DES.		DATE	DATE	
MECH. DES.		DATE	DATE	
SHEET		ID 321		REV. LTR.

1		TSTE10K/AX 563	
Q'TY./UNIT	MODEL USED ON	ASS'Y. NO.	
SCALE	CODE		
THE CONTENTS OF THIS DRAWING ARE THE EXCLUSIVE PROPERTY OF THE TECHNICAL MATERIEL CORP. ITS UNAUTHORIZED USE OR REPRODUCTION IN WHOLE OR IN PART IS STRICTLY FORBIDDEN.			
DECIMALS		FRACTIONS	
.X ± .05		± 1/64	
.XX ± .01		ANGLES	
.XXX ± .005		± 0° 30'	

NOTES