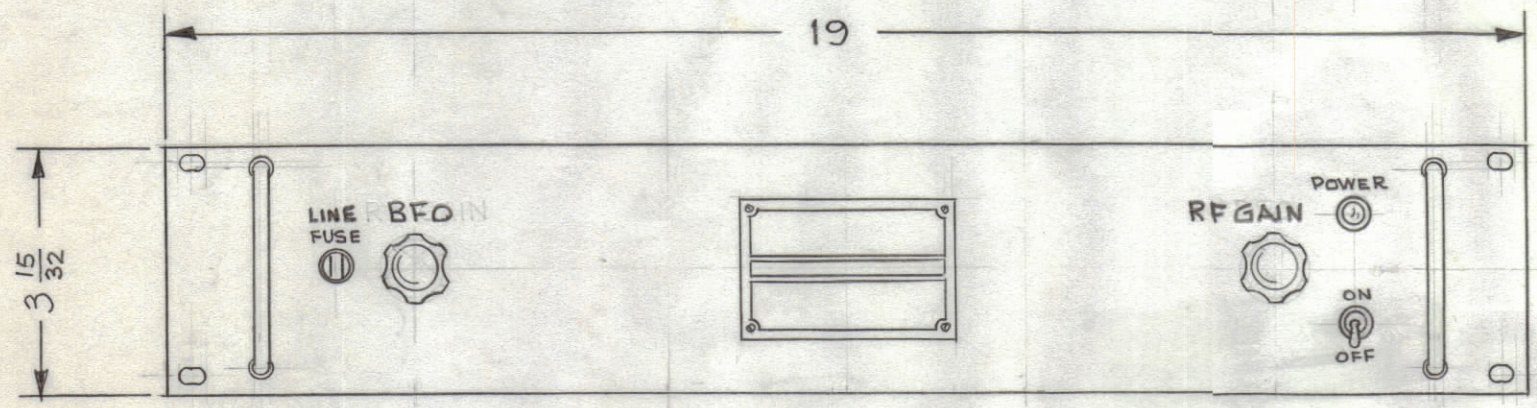


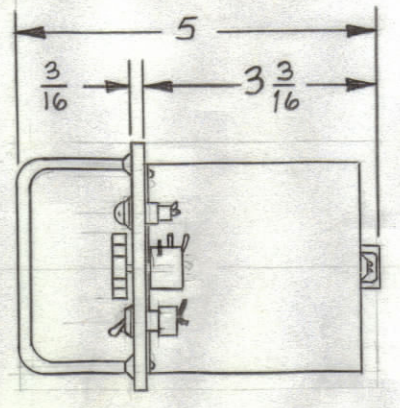
REVISIONS						
SYM	ZONE	DESCRIPTION	DATE	E.M.N. NO.	DRAFT	CHKD
A		REVISED	9/27/65		MJT	
B		DELETED NOTE FOR 230V OPERATION. SEE SHEET 4	6/1/66	16315	C.H.	<i>[Signature]</i>

TECHNICAL DATA

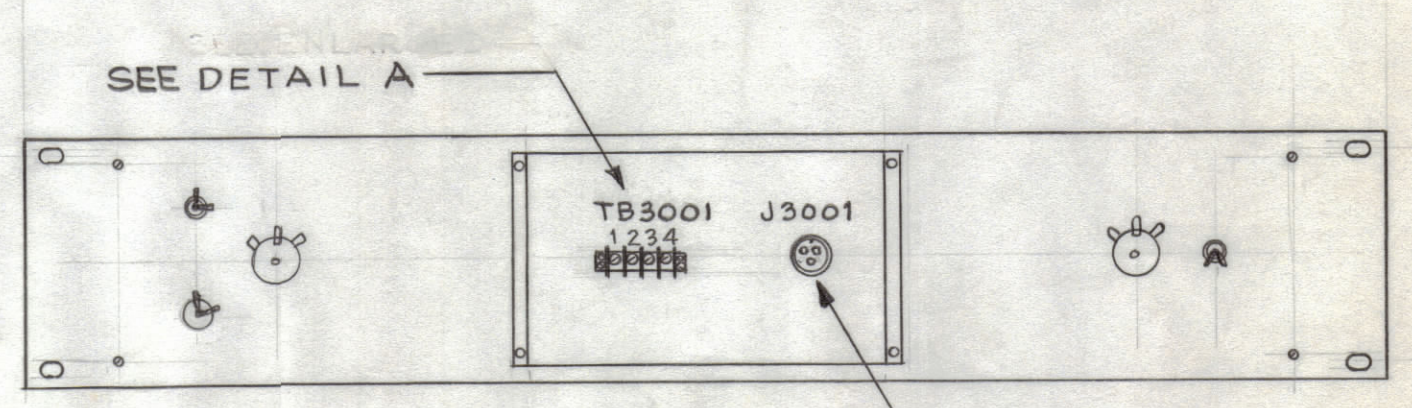
POWER INPUT - 8 WATTS
 VOLTAGE - 115/230VAC
 PHASE - SINGLE
 FREQUENCY - 50/60 CPS
 HEAT DISSIPATION - 8 WATTS, BTU 27/HR
 AMBIENT TEMP RANGE - 0° TO 50° C
 RELATIVE HUMIDITY - 0 TO 90 %
 WEIGHT - 6 lbs.



FRONT VIEW



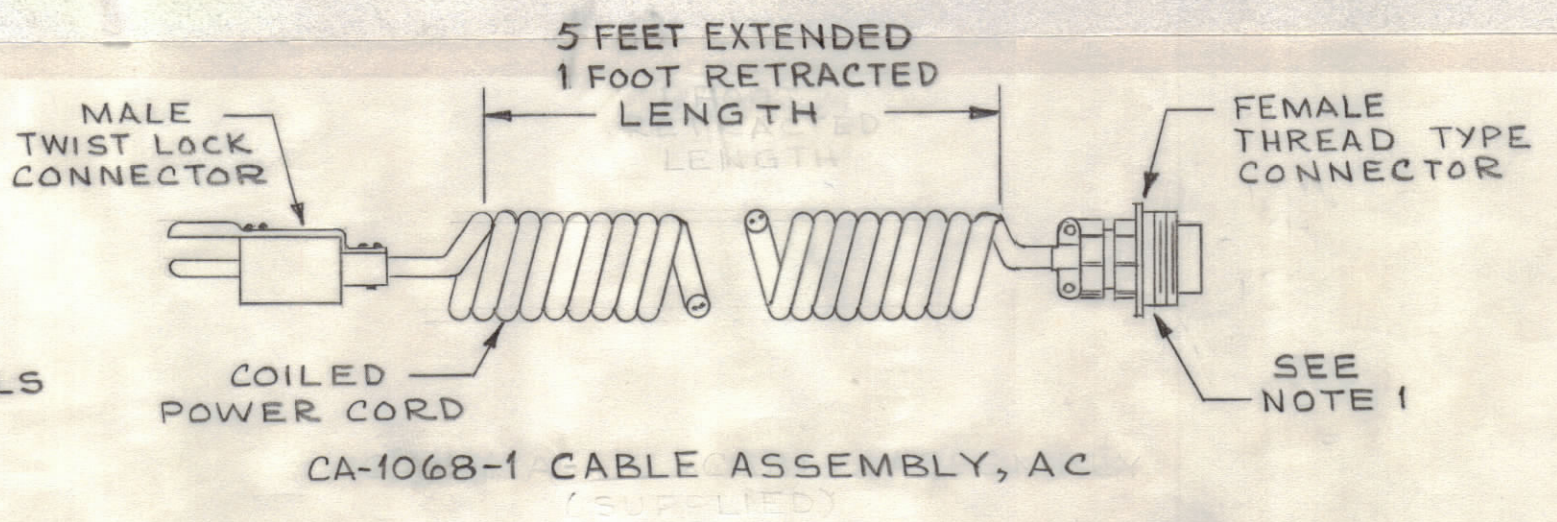
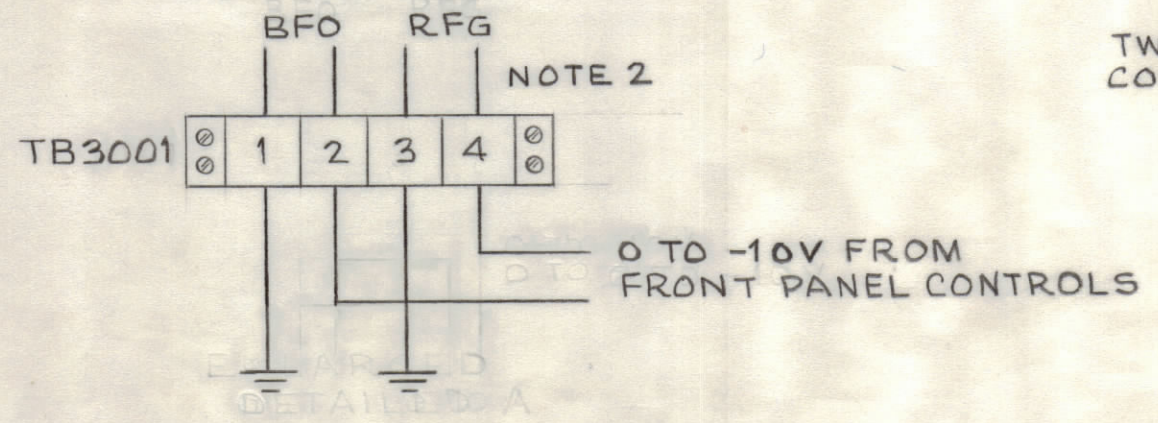
RIGHT SIDE VIEW



REAR VIEW

DETAIL B

DETAIL A



- NOTE 1. PLUGS INTO J3001 (SEE DETAIL B)
 2. 0 TO -10V DC OUTPUT FOR CONTROL OF ANALOG TO DIGITAL CHANNEL IN RASA.
 3. SEE SHEET 6 FOR INSTALLATION MATERIAL LIST.
 4. SEE SHEET 6 FOR INSTALLATION MATERIAL LIST.

MAXIMUM ALLOWABLE TOLERANCES HAVE BEEN DETERMINED AND ANY DEVIATIONS WILL BE CAUSE FOR REJECTION.

QTY REQ	ITEM	PART NO.	DESCRIPTION	SYMBOL
BILL OF MATERIAL				
UNLESS OTHERWISE SPECIFIED DIMENSIONS ARE IN INCHES TOLERANCES ON FRACTIONS DECIMALS ANGLES ±1/64 ±.005 ±1/2°			THE TECHNICAL MATERIEL CORP. MAMARONECK, NEW YORK	
MATERIAL			CONTROL MONITOR GROUP, MODEL RCWB-1 CONTROL UNIT, MODEL RGCA-1 (C.C. MODEL RGCA-1) OUTLINE AND DIMENSIONS	
FINISH			CODE	ISSUE
CONTRACT NO. N600(63133-11-126)63002			82679 C	B
APPROVED FOR BUSHIPS			SIZE	DWG. NO.
			SCALE NONE	ID-325
			SHEET 5 OF 6	