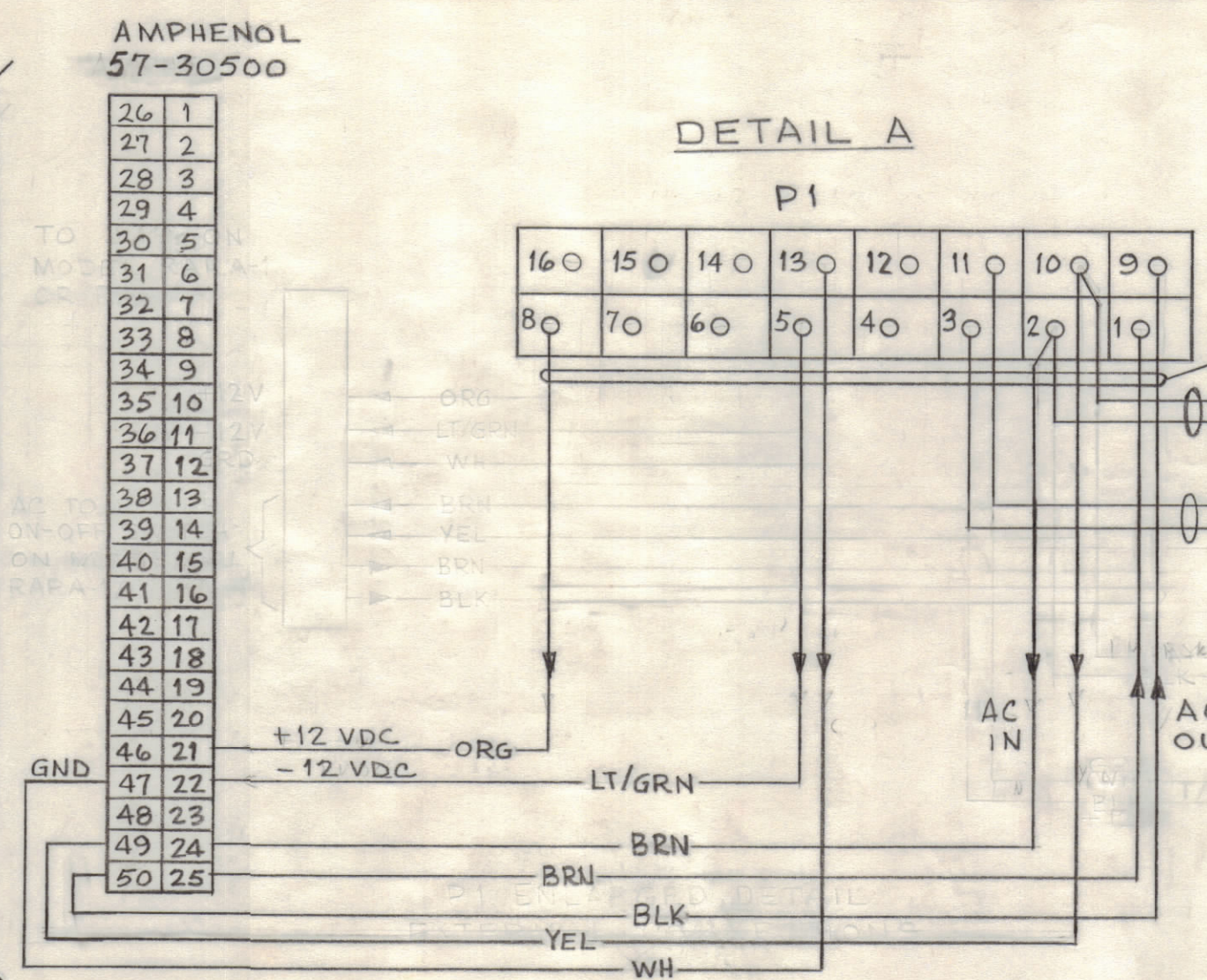
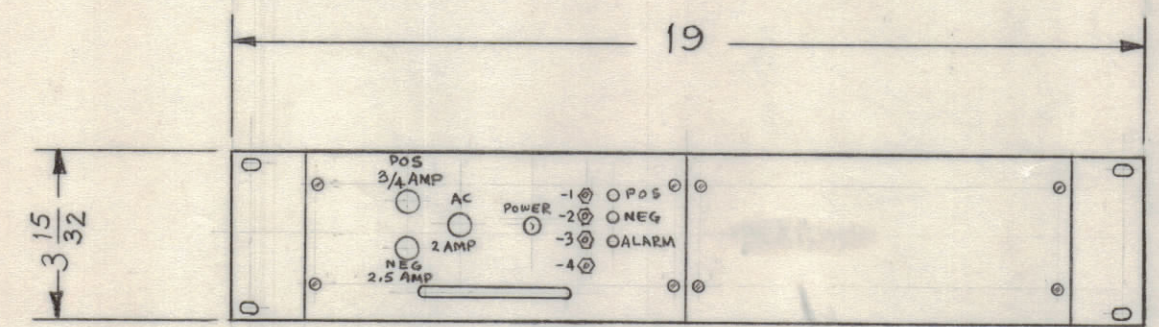
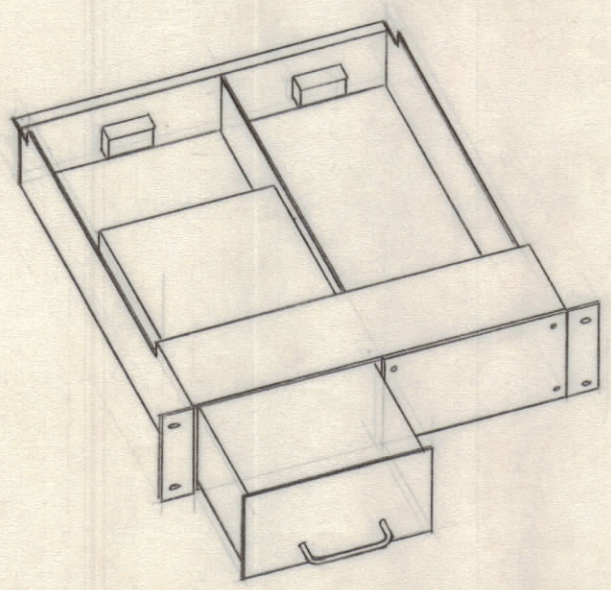


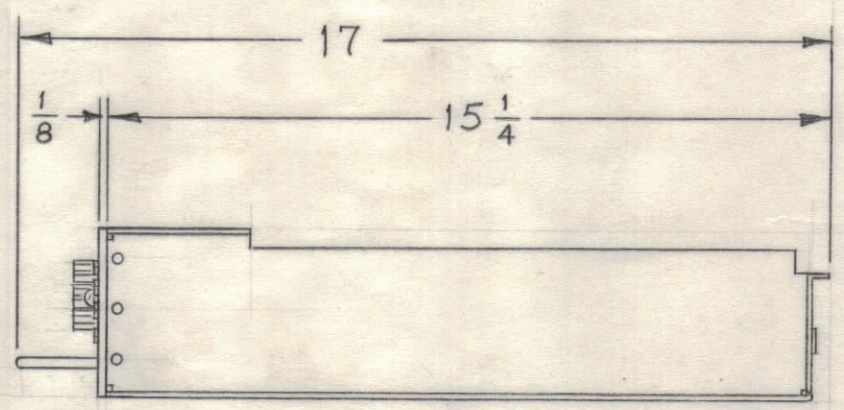
REVISIONS							
SYM	ZONE	DESCRIPTION	DATE	E.M.N.NO	DRAFT	CHKD	APPD
A		REVISED	9/27/65			MJT	
B		SEE SHTS 1 & 3.	6/1/66	16315	C.H.		



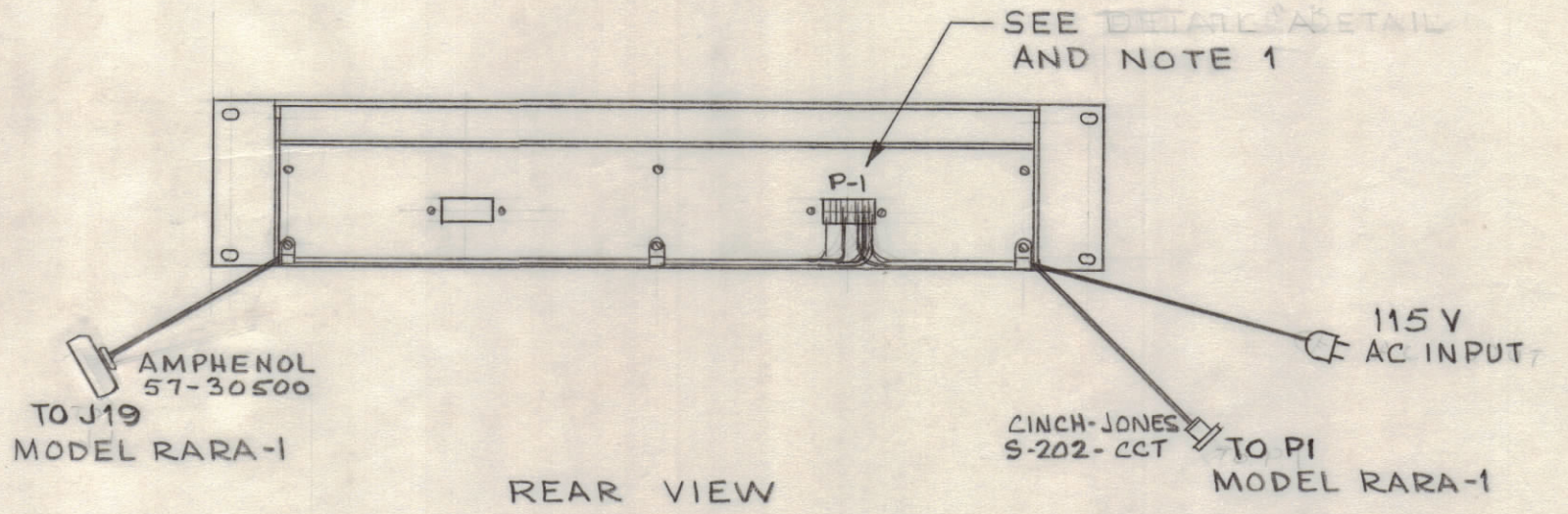
MATES WITH AMPHENOL 57-40500 SEE SHEET 3 DETAIL B



FRONT VIEW



RIGHT SIDE VIEW



REAR VIEW

NOTE:  
1- CABLE HARNESS PART OF SHELF ATTACHED TO P1, DETAIL "A"(THIS SHEET) SHOWS CABLING PROVIDED AS PART OF THE EQUIPMENT.  
2-

MAXIMUM ALLOWABLE TOLERANCES HAVE BEEN DETERMINED AND ANY DEVIATIONS WILL BE CAUSE FOR REJECTION.

QTY REQ	ITEM	PART NO.	DESCRIPTION	SYMBOL
BILL OF MATERIAL				
THE TECHNICAL MATERIEL CORP. MAMARONECK, NEW YORK				
CONVERTOR-POWER SUPPLY GROUP-RECEIVE POWER SUPPLY				
OUTLINE DIMENSION AND PART CABLING DETAIL FOR DETAIL				
UNLESS OTHERWISE SPECIFIED DIMENSIONS ARE IN INCHES TOLERANCES ON FRACTIONS DECIMALS ANGLES $\pm 1/64$ $\pm .005$ $\pm 1/2^\circ$			FINAL APPROVAL <i>R/R May</i> DATE 5/25/65 MECH. DES. <i>RMA</i> DATE 5/25/65 ELECT. DES. <i>L.E. Laursky</i> DATE 5-25-65 CHECKED <i>McGowan</i> DATE 5-19-65 DRAWN <i>M. TANTILLO</i> DATE 5-17-65	CODE <b>82679</b> SIZE <b>C</b> DWG. NO. <b>ID-331</b> SCALE <i>NONE</i> WGT. <b>11 LBS</b> SHEET <b>2 OF 5</b>
MATERIAL		APPROVED FOR BUSHIPS		ISSUE <b>B</b>
FINISH		CONTRACT NO. <b>N600(63133-11-126)63002</b>		