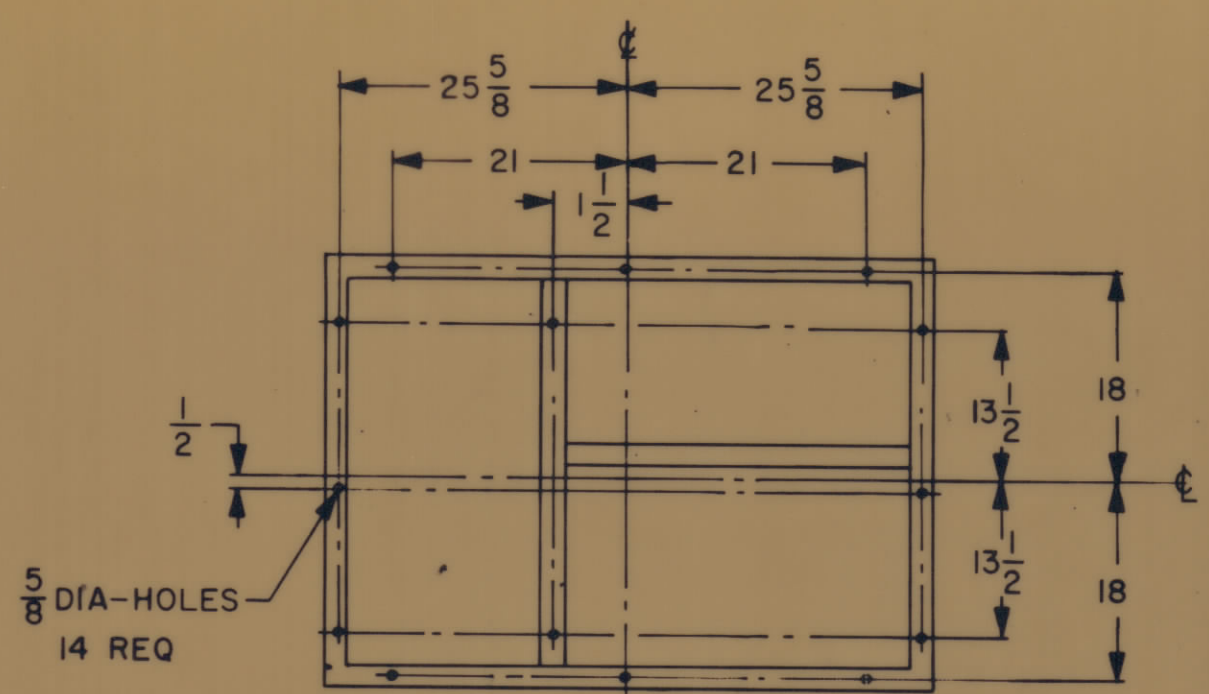
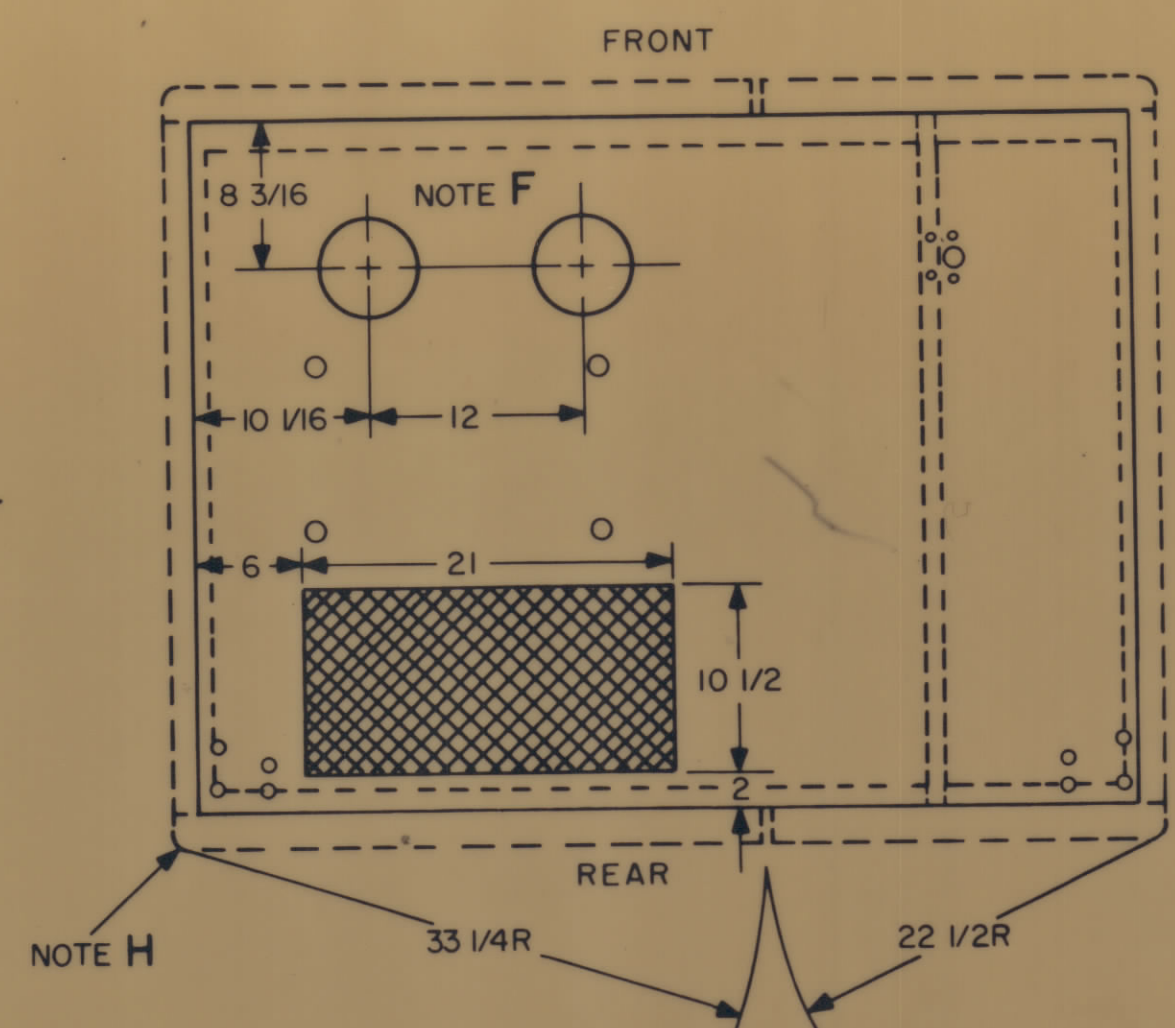
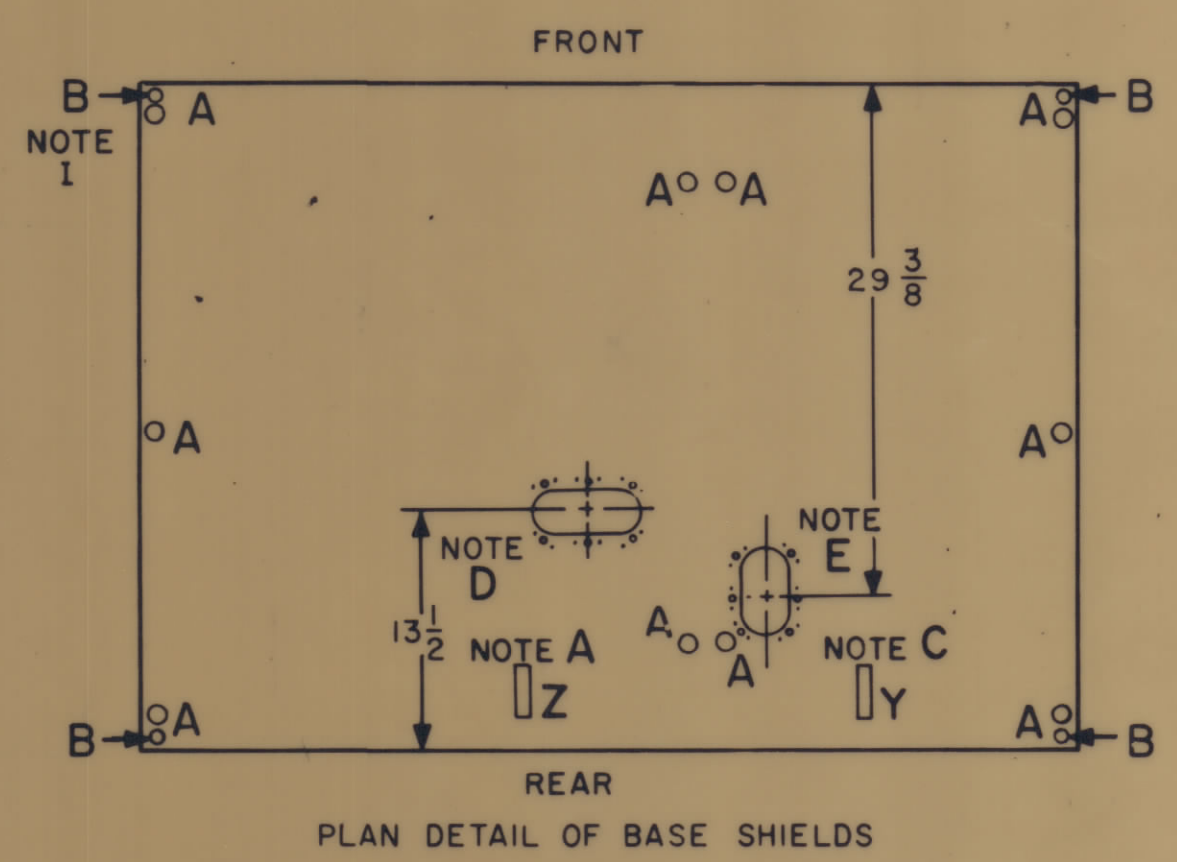


REVISIONS						
ZONE	LTR	DESCRIPTION	DATE	E. M. N.	DRAFT	CHKD APPD

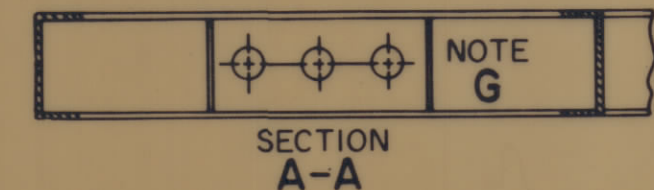
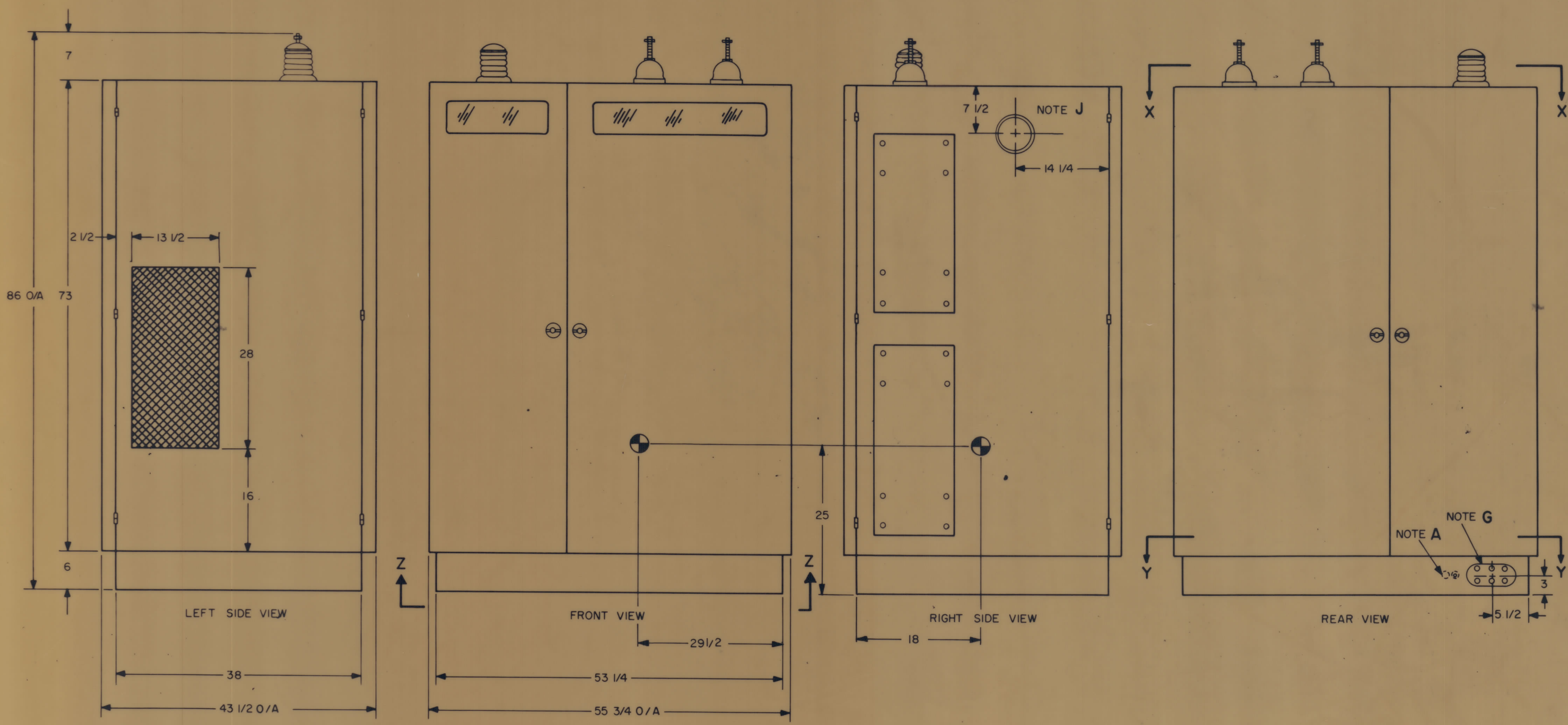
PLAN DETAIL OF TOP COVER
VIEW X-X



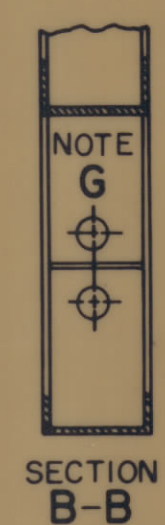
PLAN DETAIL OF BASE
BOTTOM VIEW Z-Z



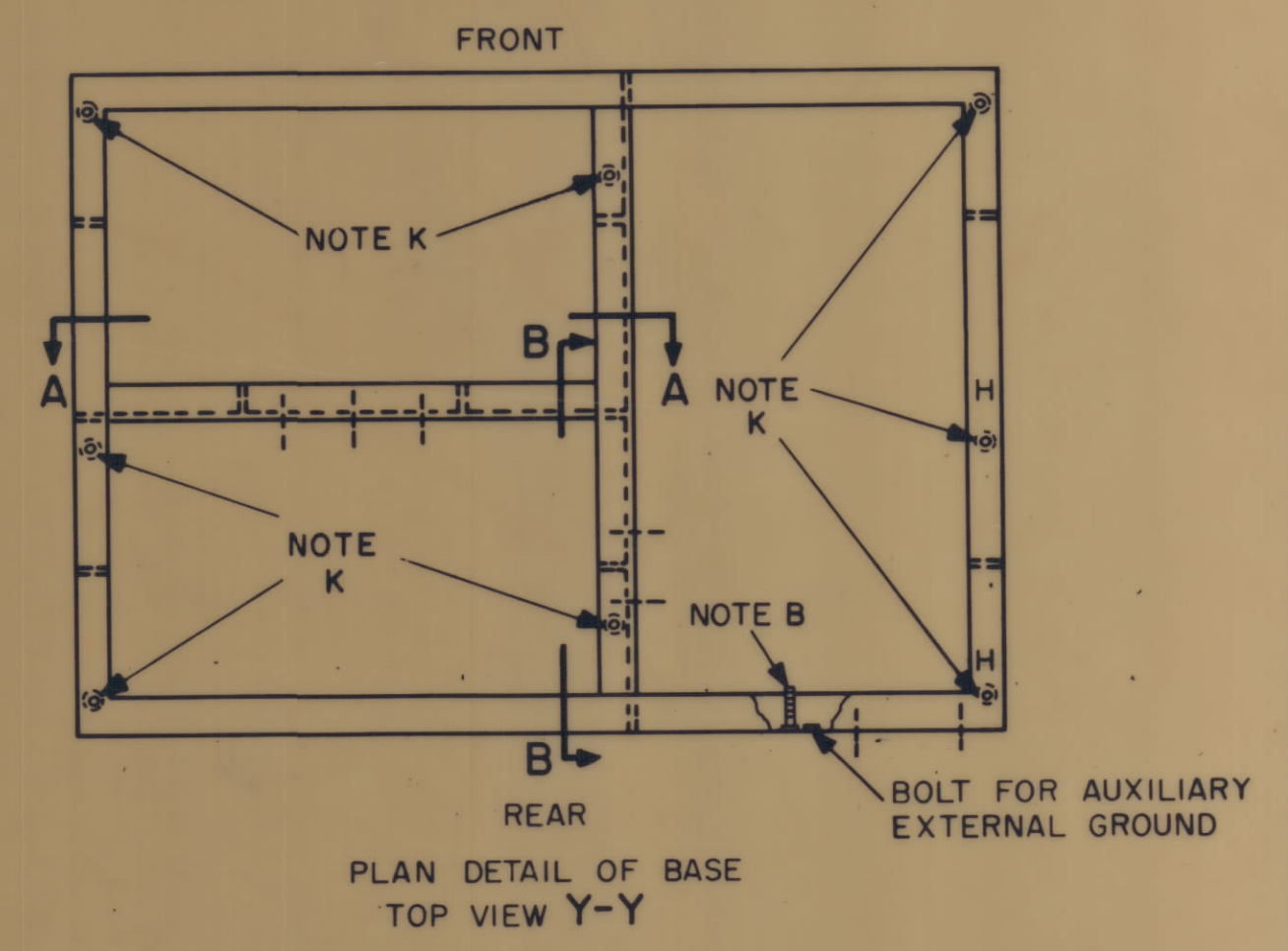
PLAN DETAIL OF BASE SHIELDS



SECTION A-A



SECTION B-B



PLAN DETAIL OF BASE
TOP VIEW Y-Y

- NOTES:
- A- ACCESS HOLE FOR GROUND LEAD TO MAIN FRAME CHASSIS.
 - B- BOLT FOR TRANSMITTER GROUND.
 - C- ACCESS HOLE FOR GROUND LEAD TO AUXILIARY FRAME CHASSIS.
 - D- ACCESS HOLE FOR 220V 3-PHASE 60 CYCLE POWER INPUT TO MAIN FRAME.
 - E- ACCESS HOLE FOR SIGNAL CONDUCTORS INTERCONNECTING TEST EQUIPMENT ON AUXILIARY FRAME TO CIRCUITS EXTERNAL TO TRANSMITTER.
 - F- ACCESS HOLES FOR INSULATORS FOR BALANCED ANTENNA.
 - G- ACCESS HOLE AUXILIARY TO D AND E.
 - H- FRONT AND REAR DOOR SWINGS ARE IDENTICAL.
 - I- B HOLES FOR MOUNTING BASE SHIELD TO BASE.
 - J- ACCESS HOLE FOR CONNECTIONS BETWEEN UNBALANCED OUTPUT CONNECTOR (OR OUTPUT CIRCUIT OF TRANSMITTER) TO 70-OHM ANTENNA.
 - K- A HOLES FOR MOUNTING FRAMES TO BASE.

CONTRACT No.
N600(63133-1)-126)63002

TECHNICAL MATERIEL CORP

DWG No. ID- 332-1

APPROVED _____ DATE _____

SATISFACTORY TO: _____

DATE: _____

QTY REQ	ITEM	PART NO.	DESCRIPTION	SYMBOL
LIST OF MATERIAL				
EXAMINED		NAVAL SHORE ELECTRONICS ENGINEERING CENTER WASHINGTON, D C		
OFFICIAL	SIGNATURE	TRANSMITTING SET, RADIO AN/FRT-39H ELEVATION AND DETAILS		
BR HEAD	<i>[Signature]</i>			
PROJ ENG	<i>[Signature]</i>			
DIV DIR				
PROJ DIR				
DRAFT SEC	<i>[Signature]</i>			
DRAWN	<i>[Signature]</i>			
FEDERAL SUPPLY CODE 82679		RW 52	CODE IDENT 82679	SIZE D
CONTR DRAWING NO. ID-332-1		SCALE NONE		268
				SHEET 1 OF 5