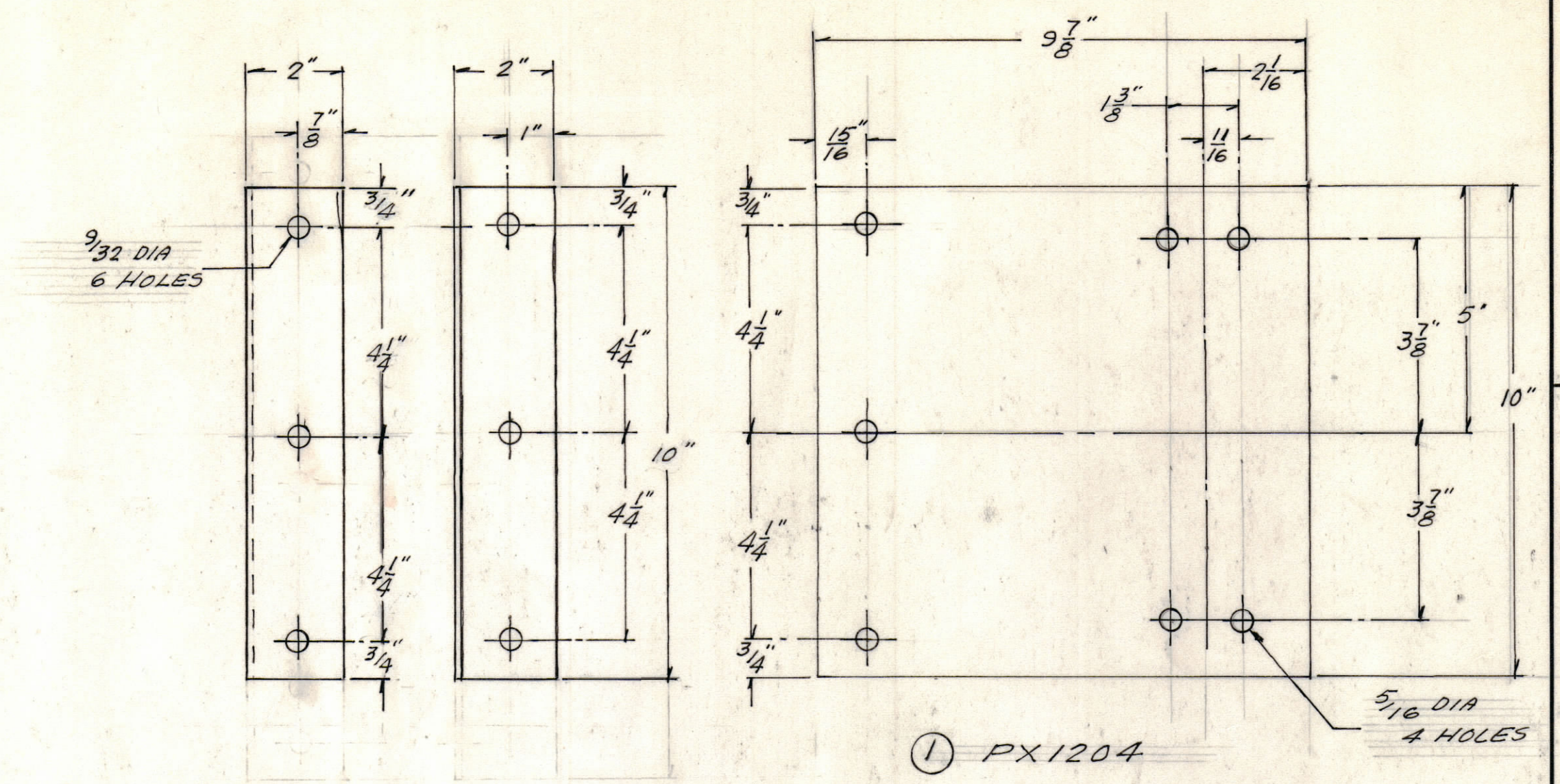
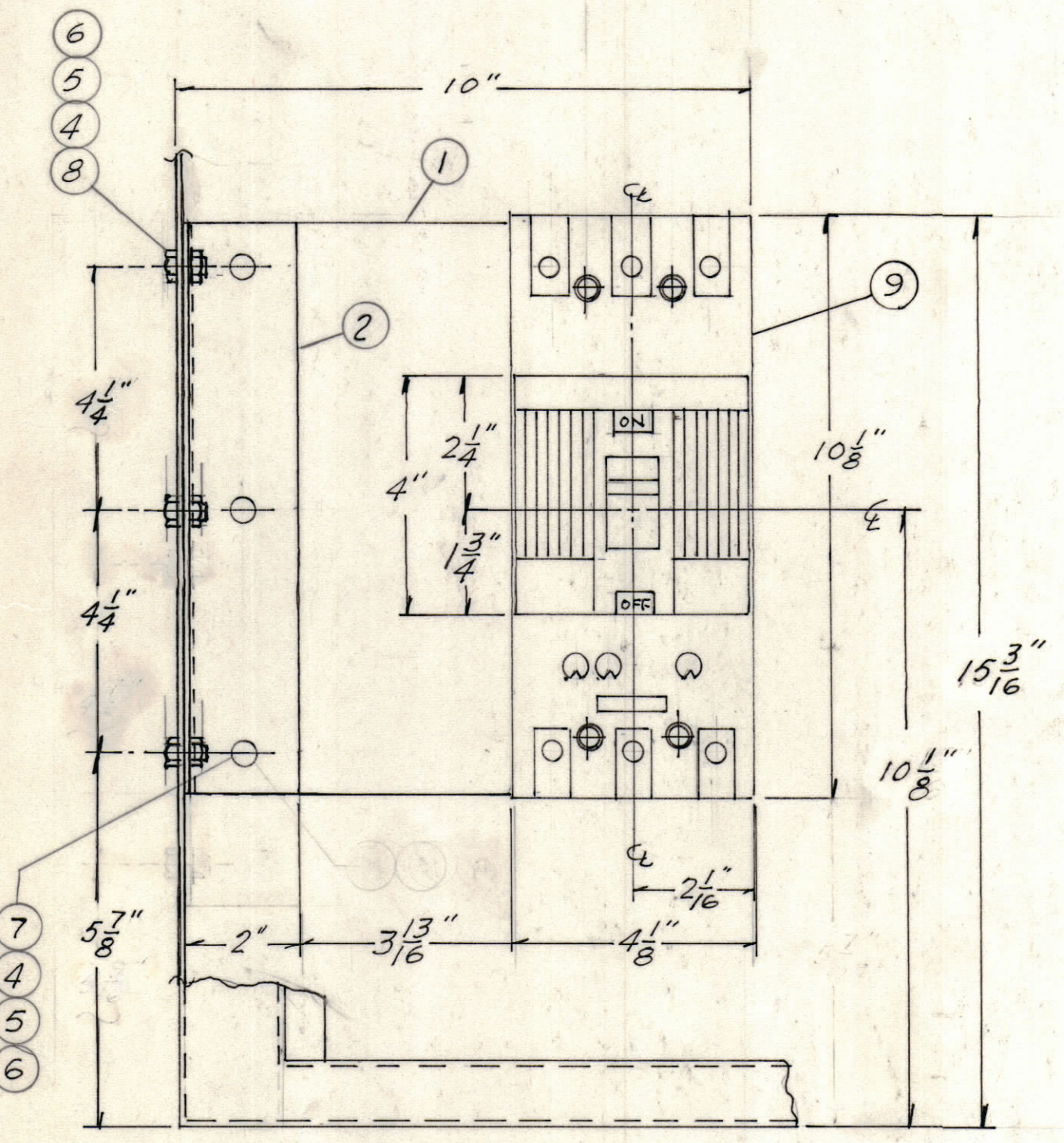
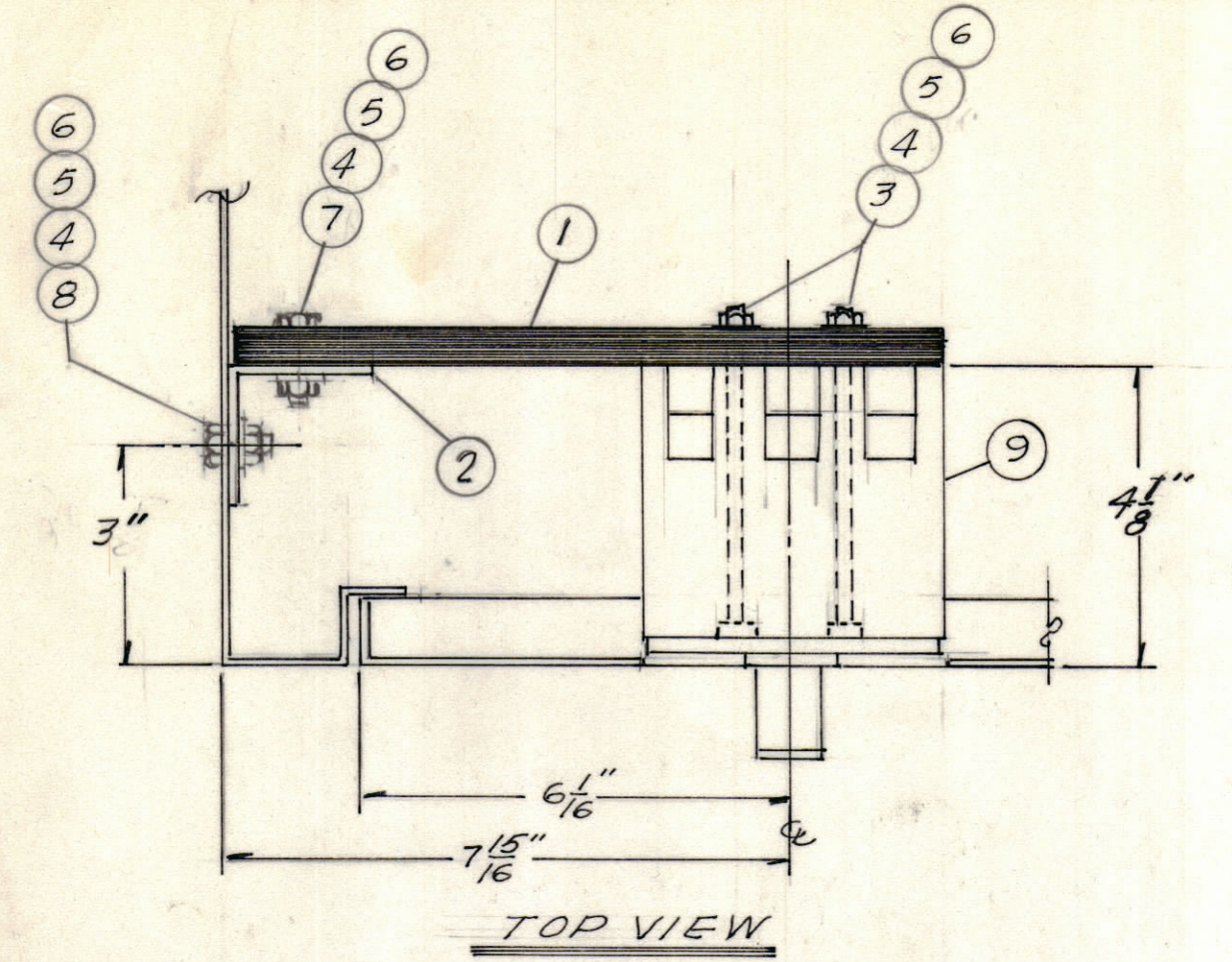


REVISIONS						
ZONE	LTR	DESCRIPTION	DATE	DRAFT	CHK'D	APPD



TYPE TFJ 236-070 THRU
- 225 AMP AS REQUIRED
AND SPECIFIED

QTY REQ	QTY REQ	QTY REQ	ITEM	PART NO.	MANUFACTURER	DESCRIPTION	SYM
1	9		TYPE TFJ 236-	GE		CIRCUIT BREAKER, 3 P	
3	8					1/4-20 UNC. HEX. HD. SCREW, 3/4" LG.	
3	7					1/4-20 UNC. HEX. HD. SCREW, 1 1/4" LG.	
10	6					1/4 LOCK WASHER, SPLIT	
16	5					1/4 FLAT WASHER	
10	4					1/4-20 UNC. HEX. HD. SCREW, CAD. PLT.	
4	3					1/4-20 UNC. PAN. HD. SCREW, 4 1/2" LG.	
1	2		MS 6182	TMC		1/8 X 2 X 2 BAR ANGLE	
1	1		PX 1204	TMC		3/8" BENELEX MTG. BOARD	

QTY REQ	QTY REQ	QTY REQ	ITEM	PART NO.	MANUFACTURER	DESCRIPTION	SYM

INTERPRET DRAWING PER LISTED DOCUMENTS DIMENSIONING MIL - STD - 8 SURFACE ROUGHNESS MIL - STD - 10 ABBREVIATIONS MIL - STD - 12 ELECTRONIC SYMBOLS MIL - STD - 15 WELDING SYMBOLS JAN - STD - 19		UNLESS OTHERWISE SPECIFIED DIMENSIONS ARE IN INCHES AND INCLUDE CHEMICALLY APPLIED OR PLATED FINISHES REMOVE ALL BURRS AND SHARP EDGES TOLERANCES ON FRACTIONS ANGLES DECIMALS $\pm 1/32$	DRAWN FRAMPTON CHECKED WA D. ENG. WAJ P. ENG. P. MGR. CHIEF, ENG. DEPT.	DATE 12-13-73 DATE 12-14-73 DATE DATE DATE	THE TMC SYSTEMS AND POWER CORPORATION SPRINGFIELD, VIRGINIA TYPE TFJ CIRCUIT BREAKER TYPICAL MOUNTING (CONTROL CAB.) SIZE C CODE IDENT NO 24146 DWG. NO. ID414 REV SCALE 3/8 SHEET 1 OF 1
NEXT ASSY APPLICATION NOTICE TO PERSONS RECEIVING THIS DRAWING THE TMC SYSTEMS AND POWER CORPORATION claims proprietary right in the material disclosed herein. This drawing is issued in confidence for engineering information only and may not be reproduced or used to manufacture anything shown herein without permission from THE TMC SYSTEMS AND POWER CORPORATION to the user. This drawing is loaned for mutual assistance and is subject to recall at any time.	USED ON MATERIAL AS NOTED FINISH ITEM 2 ONLY PER TMC SPEC. P4000	FINISH ITEM 2 ONLY PER TMC SPEC. P4000	FINISH ITEM 2 ONLY PER TMC SPEC. P4000	FINISH ITEM 2 ONLY PER TMC SPEC. P4000	FINISH ITEM 2 ONLY PER TMC SPEC. P4000