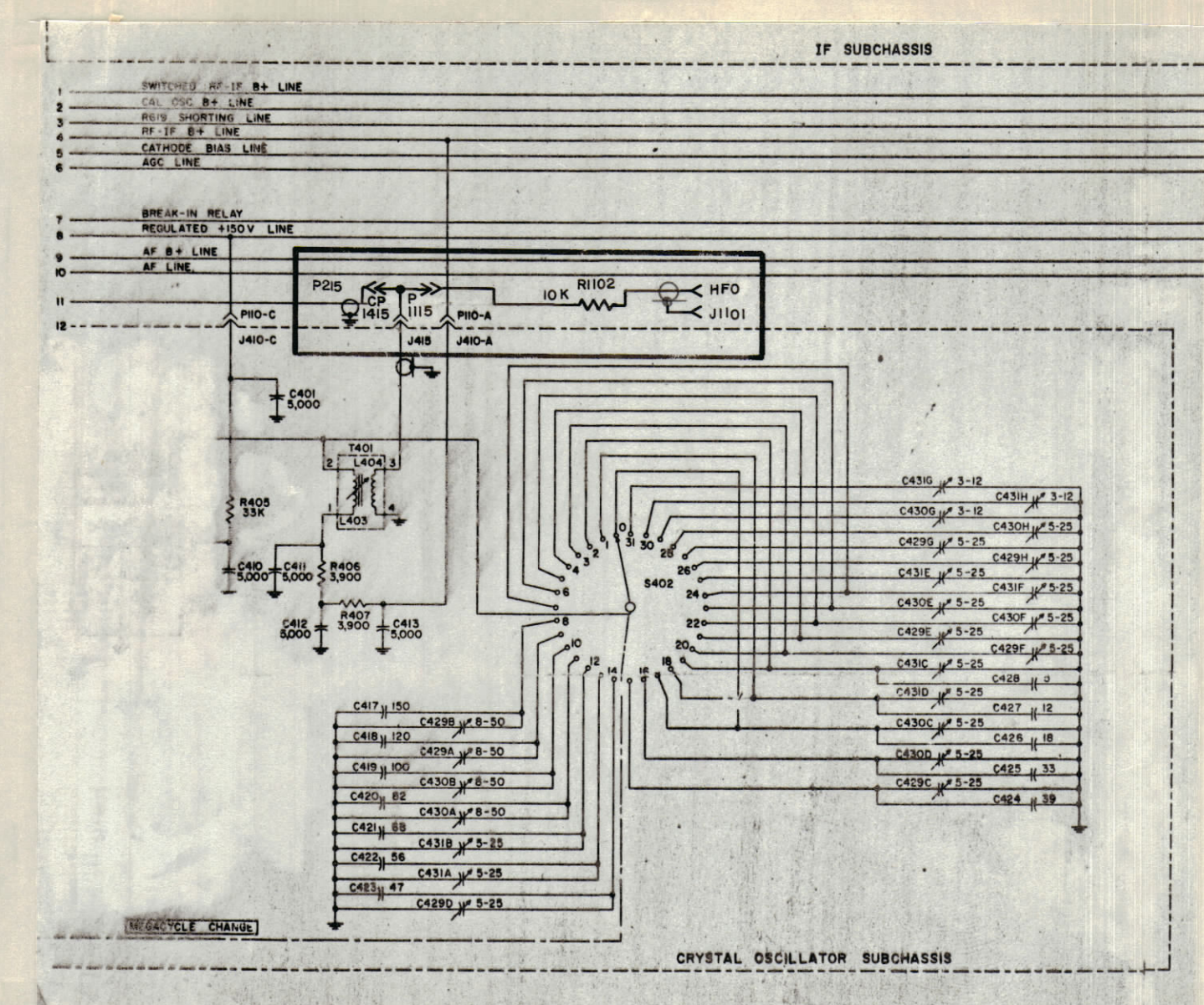
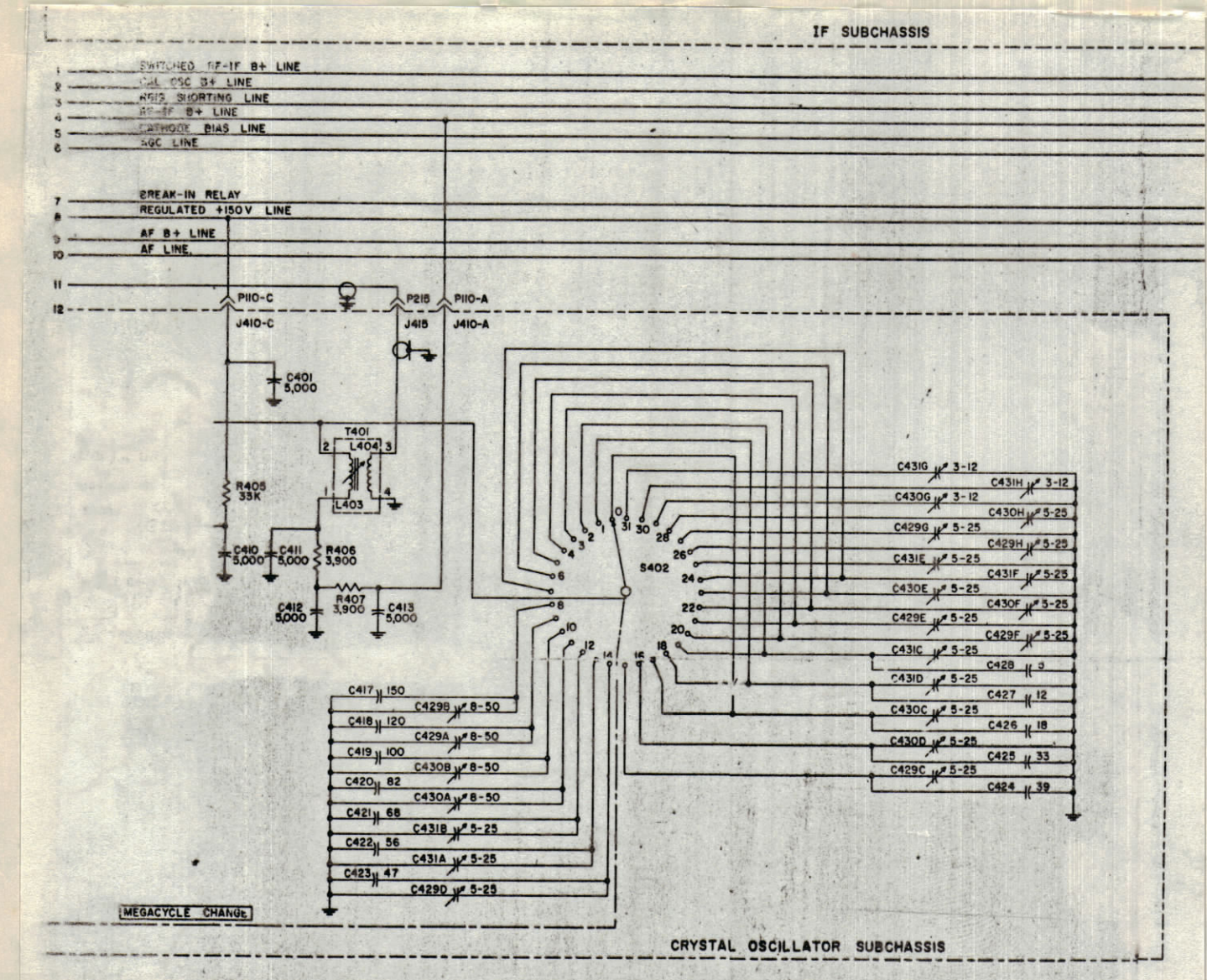
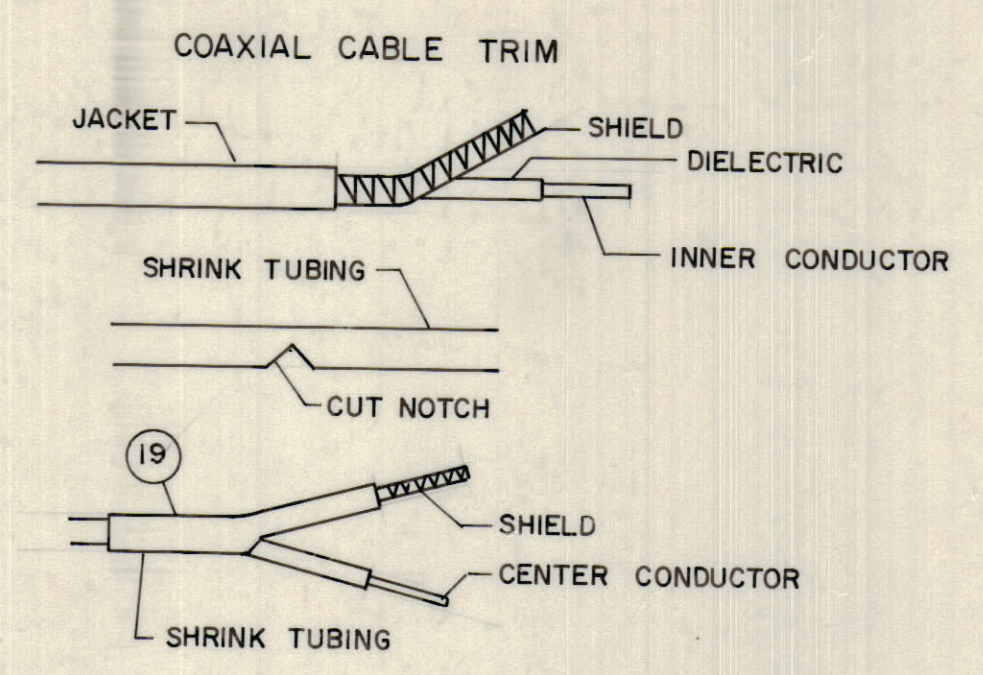


BEFORE MODIFICATION (REFER TO TM 11-856 A FIG 106)

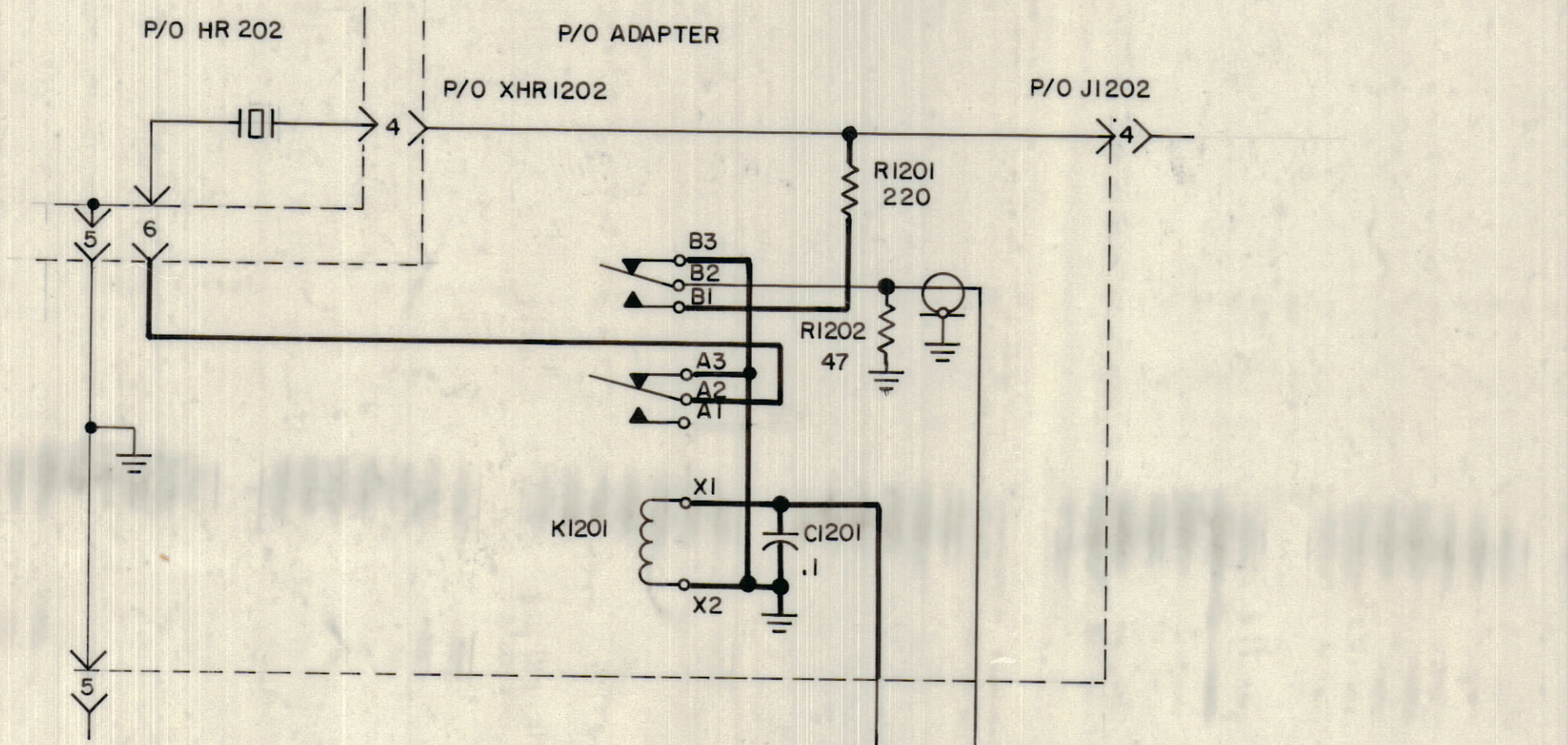
AFTER MODIFICATION



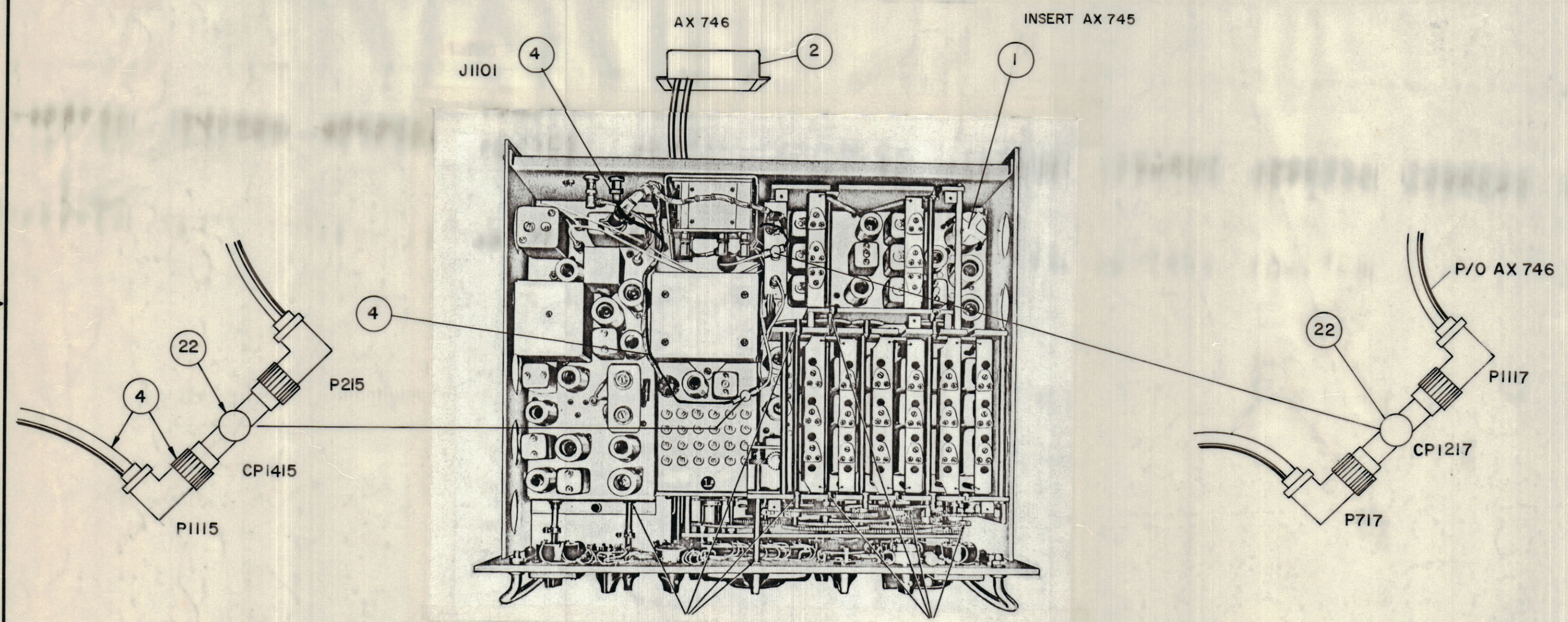
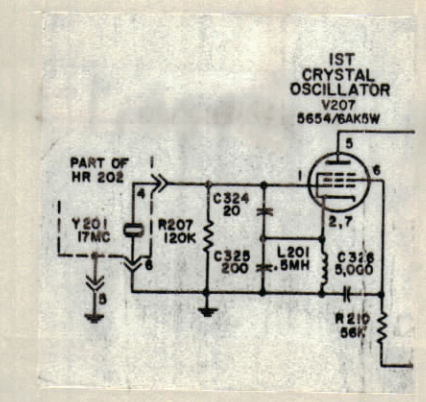
REVISIONS						DATE	APPROVED
E.M.N.O.	DRAFT	CHKD	ZONE	LTR	DESCRIPTION	DATE	APPROVED
21066	GE				ORIGINAL RELEASE FOR PRODUCTION	3/27/73	
					A CP1415 WAS CP1215	4/23/73	ep



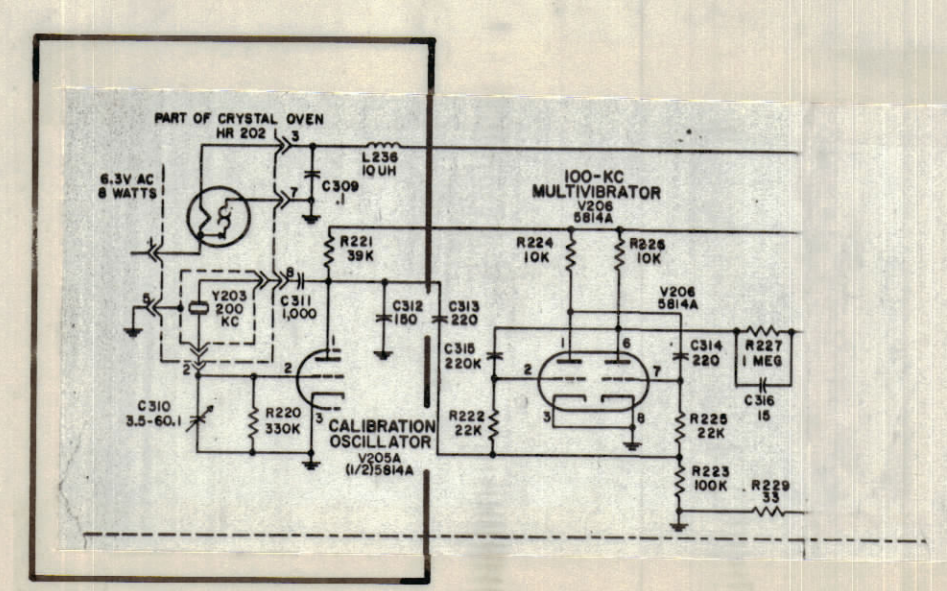
AFTER MODIFICATION (REFER TO FIG.106 TM 11-856 A)



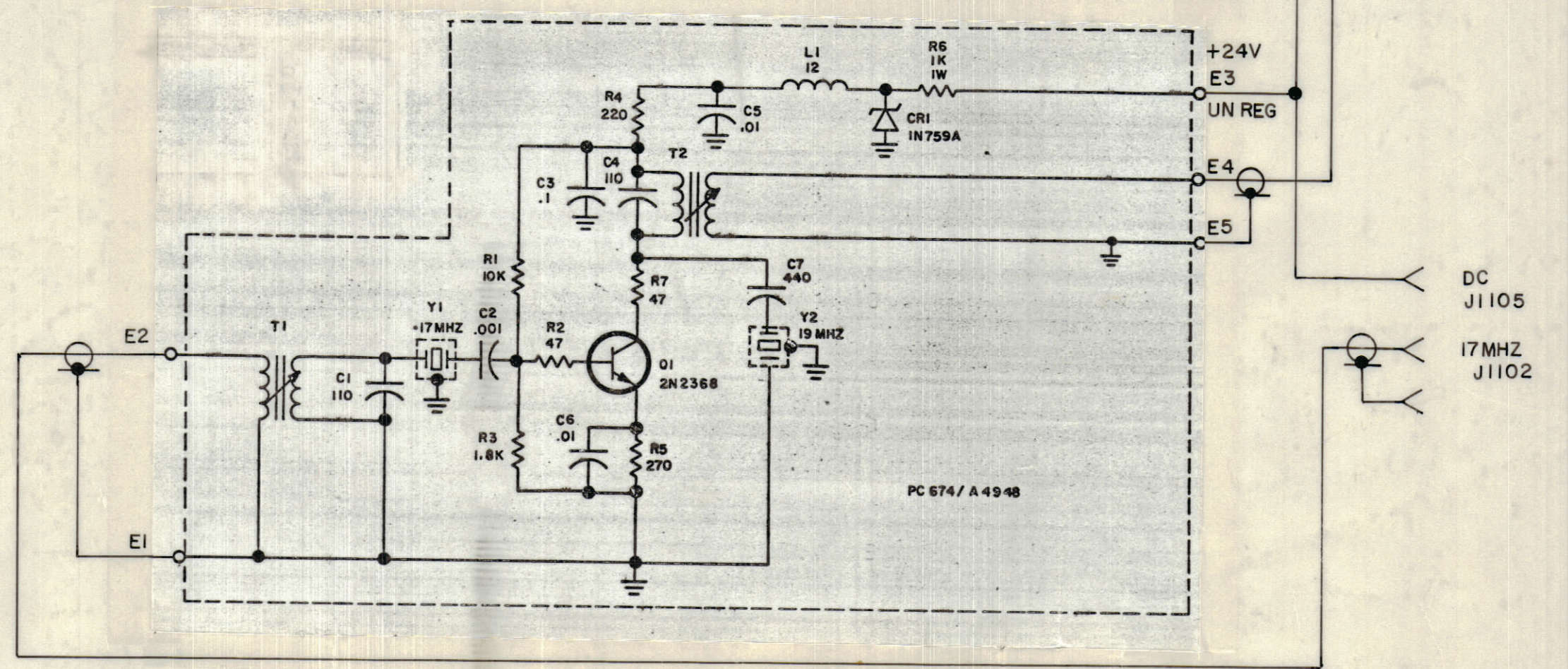
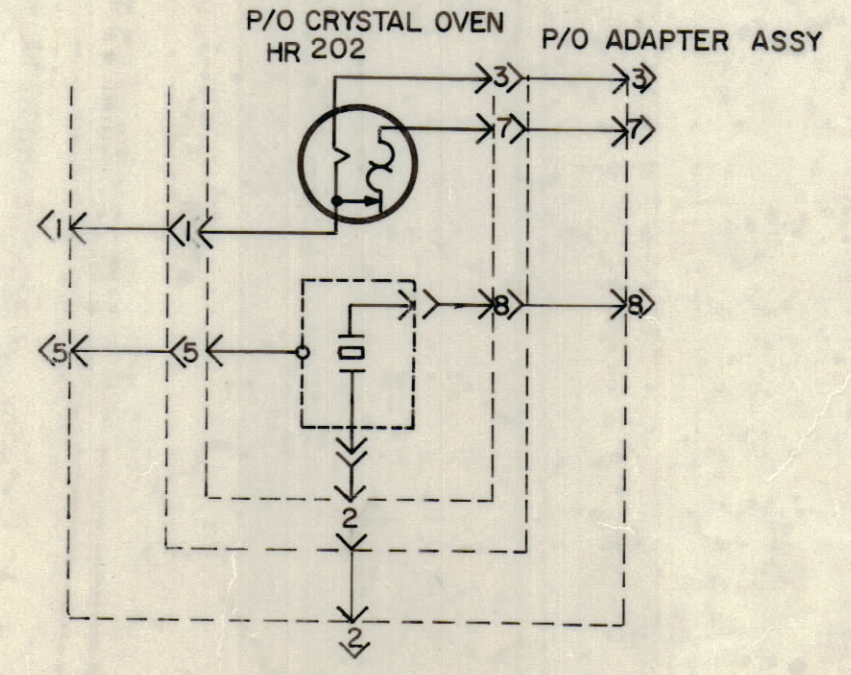
BEFORE MODIFICATION



BEFORE MODIFICATION



AFTER MODIFICATION



TOLERANCES ON	
DECIMALS	FRACTIONS
.X ± .05	1/64
.XX ± .01	ANGLES
.XXX ± .005	± 0° - 30°

QTY. REQ.	ITEM	PART NO.	DESCRIPTION	SYMBOL
LIST OF MATERIAL				
FINAL APPROVAL				
MECH. DES.				
ELECT. DES.				
CHECKED				
DRAWN				
THE TECHNICAL MATERIEL CORP. MAMARONECK, NEW YORK			INSTALLATION DRAWING 17 MHz MODIFICATION	
SIZE	CODE	IDENT NO.	DWG NO.	ISSUE
D	82679		ID 421	A
SCALE				SHEET OF

KIT 375		
QTY / UNIT	MODEL USED ON	ASS'Y NO.
APPLICATION		
CODE		
MATERIAL		
FINISH		

NOTICE TO PERSONS RECEIVING THIS DRAWING
THE TECHNICAL MATERIEL CORPORATION claims proprietary right in the material disclosed herein. This drawing is issued in confidence for engineering information only and may not be reproduced or used to manufacture anything shown herein without permission from THE TECHNICAL MATERIEL CORPORATION to the user. This drawing is loaned for mutual assistance and is subject to recall at any time.