

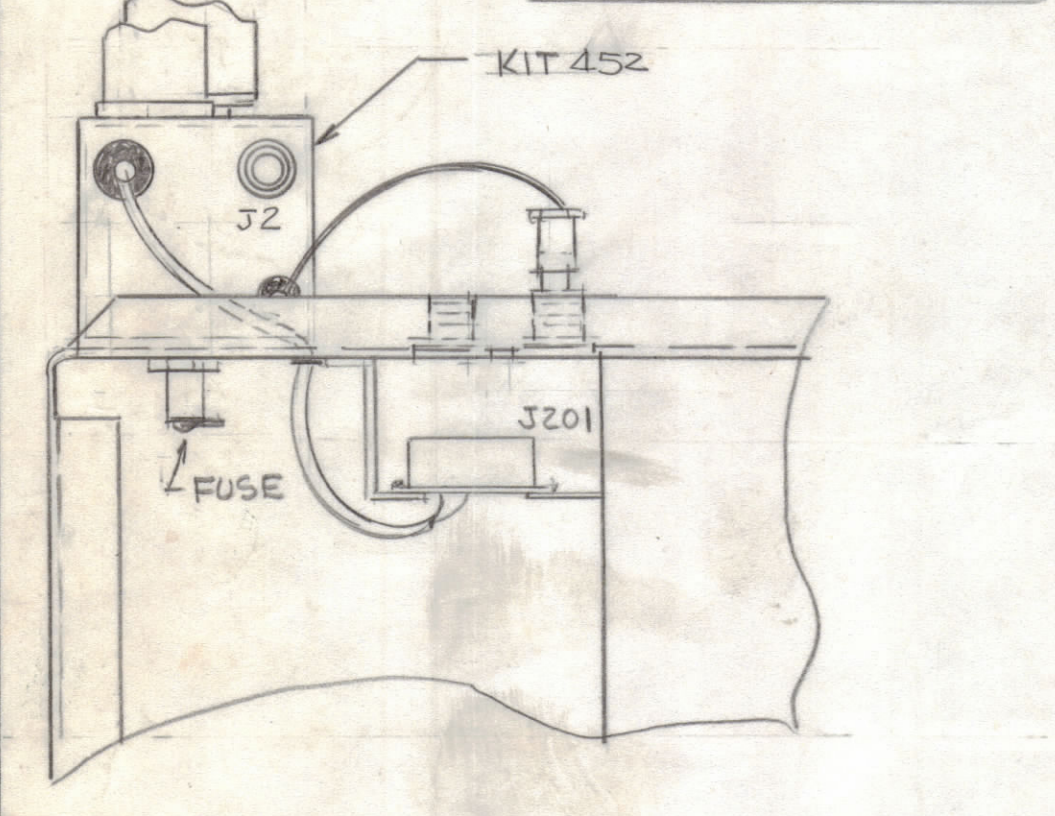
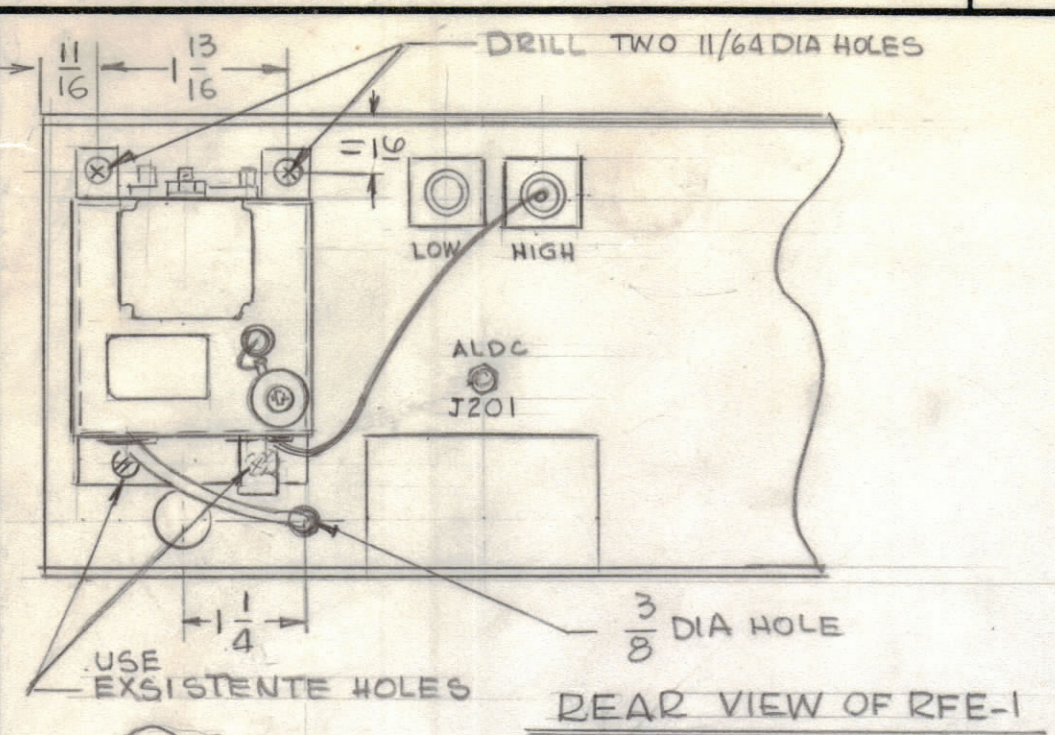
4

3

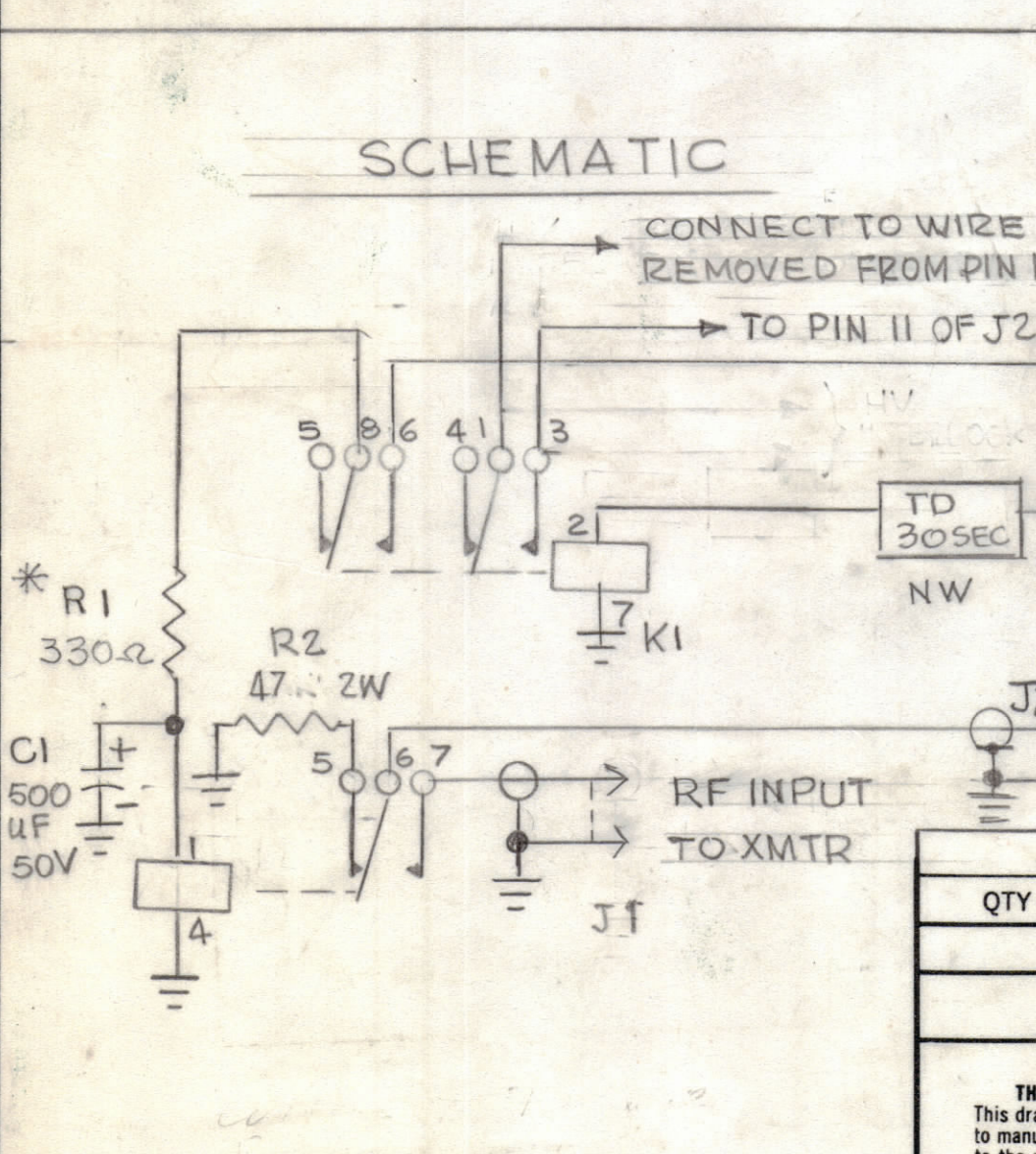
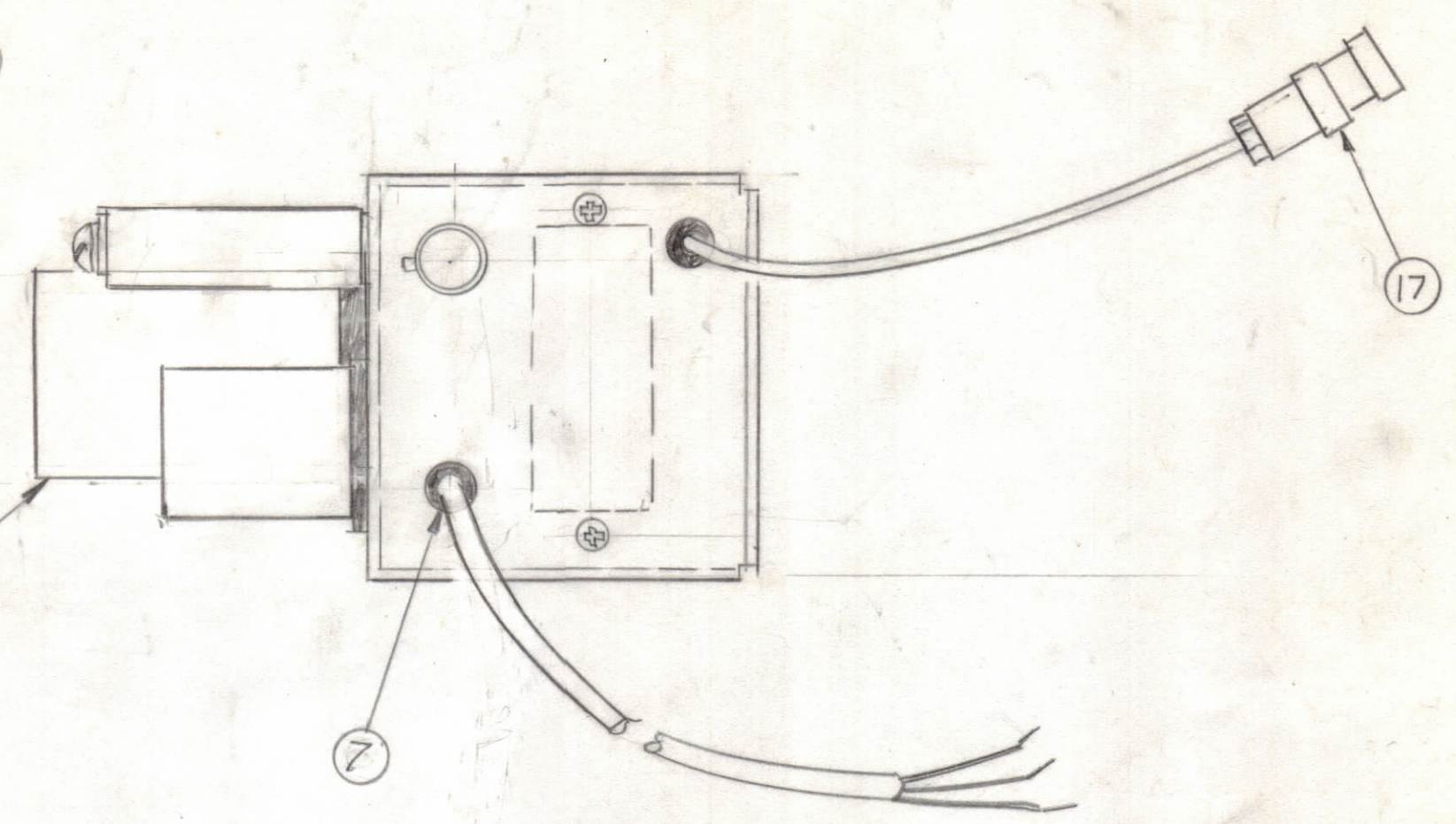
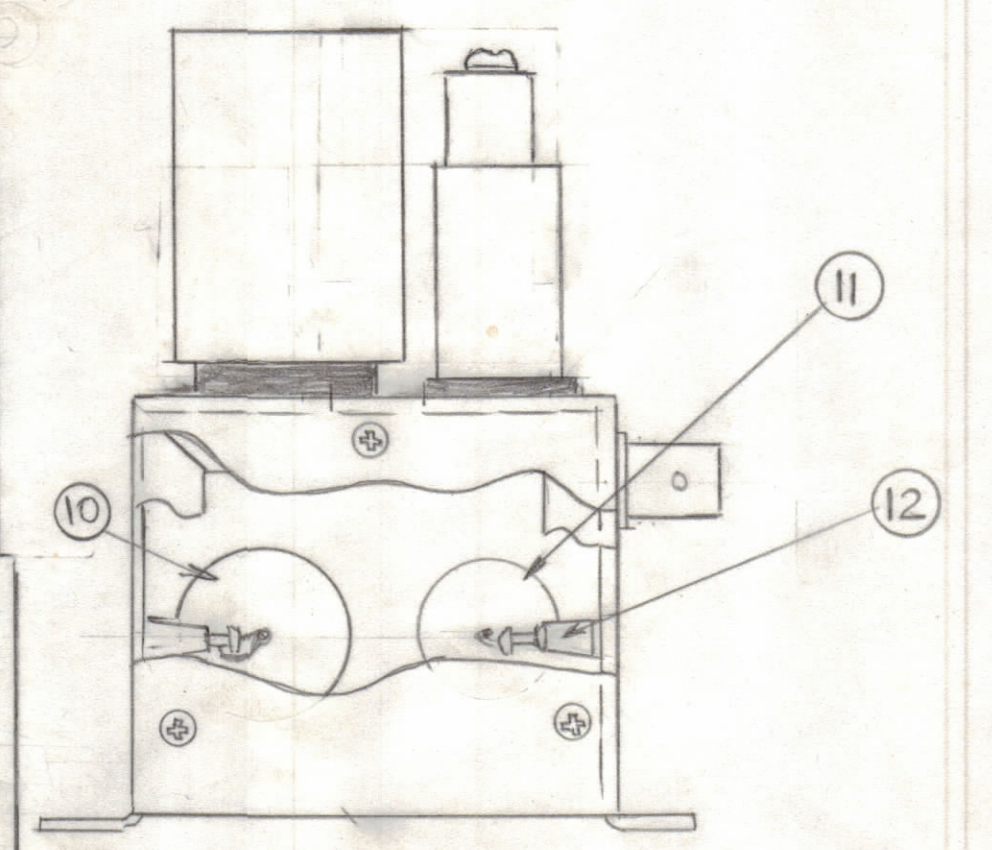
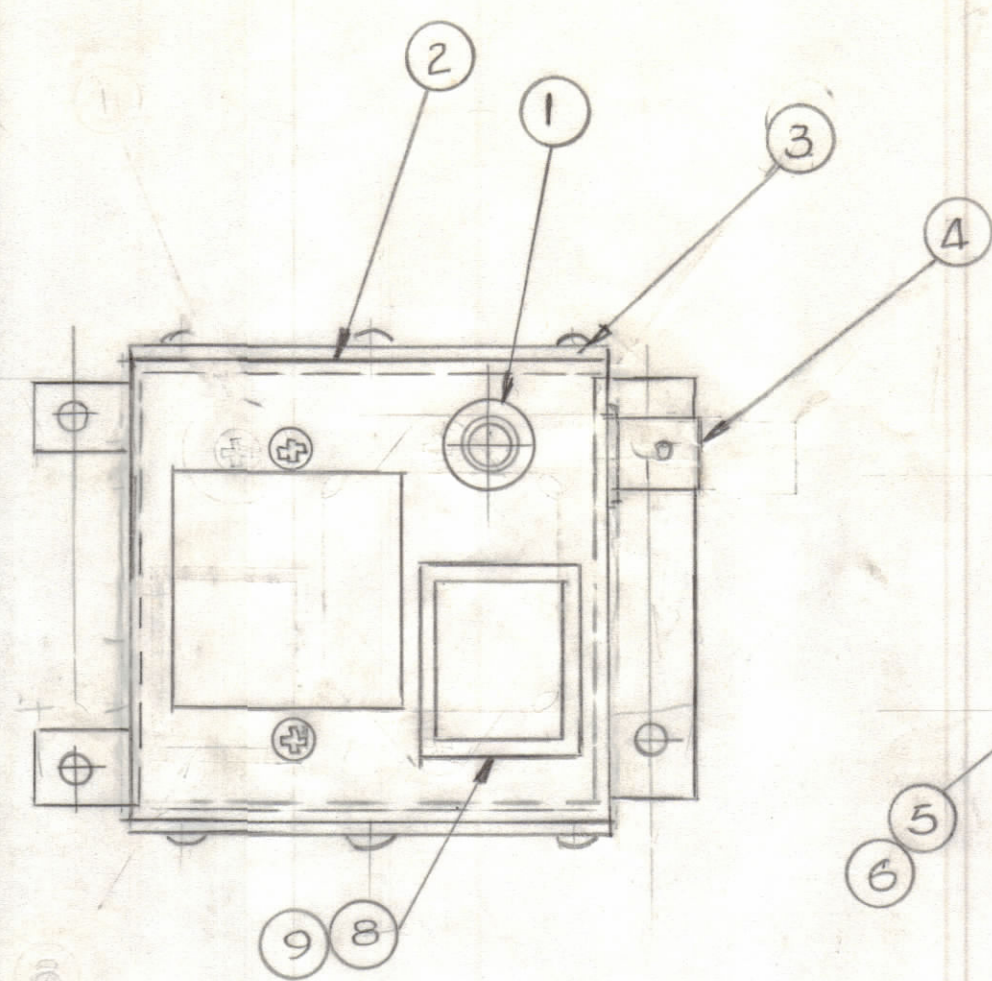
2

1

REVISIONS						
ZONE	LTR	DESCRIPTION	DATE	E.M.N.NO	DRAFT	CHKD APPD
	Ø	ORIGINAL RELEASE FOR PRODUCT,	6-11-82	~	XD	



INSTALLATION KIT 452



QTY. REQ.	ITEM	PART NO.	DESCRIPTION	SYMBOL
1	17	PL244-1	RF PLUG	J1
1	16	1N1822	DIODE	CR1
1	15	RC 32GF 4705	RESISTANCE FXD	R2
1	14	RC 32GF 3315	RESISTANCE FXD	R1
1	13	TE 102-3	TERMINAL, TURRET	
3	12	TE 102-2	TERMINAL, TURRET	
1	11	CE116-10 VN	CAPACITOR, ELECTROLYTIC 5	
1	10	NW 183-24-30	NETWORK TIME DELAY	
1	9	TS 171-1	SOCKET, RELAY	
1	8	RL 156-1	RELAY ARMATURE	
1	7	EY 102-13	GROMMET, RUBBER	
1	6	TS 165-601	SOCKET, ELECT. TUBE	
1	5	RL 168-2C-5-24DC	RELAY, ARMATURE 24VDC DP DT	
1	4	UG 625/U	BNC CONNECTOR	
2	3	MS 7056	COVER, PLATE	
1	2	MS 7055	CHASSIS, KIT	
1	1	RW 110	RESISTOR, FXD 20W	

LIST OF MATERIAL				
FINAL APPROVAL	DATE	<b>THE TECHNICAL MATERIEL CORP.</b> MAMARONECK, NEW YORK  <b>HIGH VOLTAGE DELAY</b> KIT 452 FOR PAL-500		
MECH. DES.	DATE			
ELECT. DES.	DATE			
CHECKED	DATE			
DRAWN	DATE	SIZE	CODE IDENT. NO.	DWG NO.
G.D.L.	10-21-80	C	82679	ID453
MATERIAL	FINISH	SCALE	SHEET	OF
		1:1		

QTY / UNIT	MODEL USED ON	ASS'Y NO.
1	KIT 452	
APPLICATION		
	CODE	

NOTICE TO PERSONS RECEIVING THIS DRAWING

THE TECHNICAL MATERIEL CORPORATION claims proprietary right in the material disclosed herein. This drawing is issued in confidence for engineering information only and may not be reproduced or used to manufacture anything shown hereon without permission from THE TECHNICAL MATERIEL CORPORATION to the user. This drawing is loaned for mutual assistance and is subject to recall at any time.

4

3

2

1