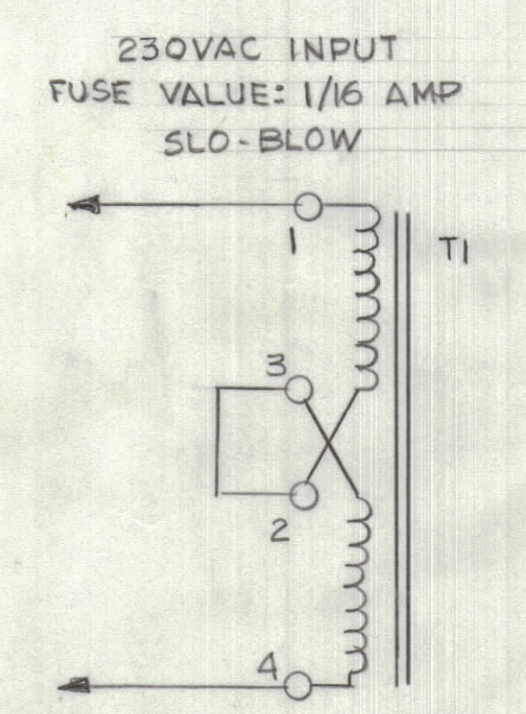
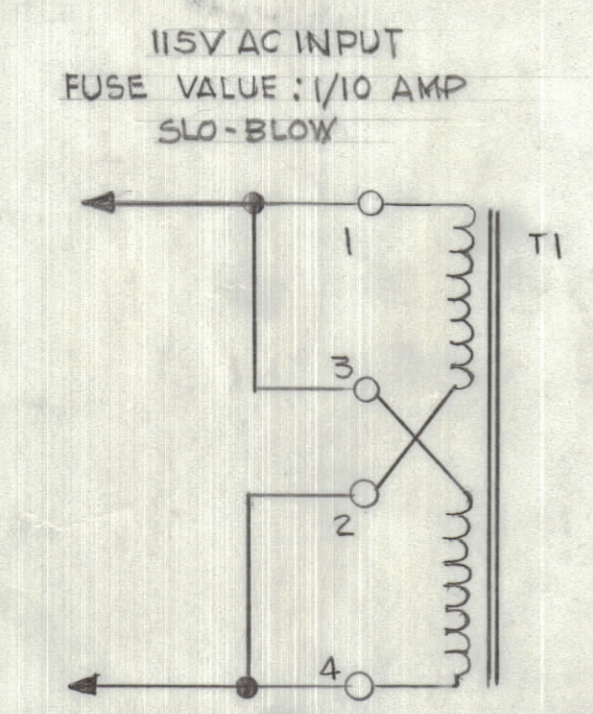
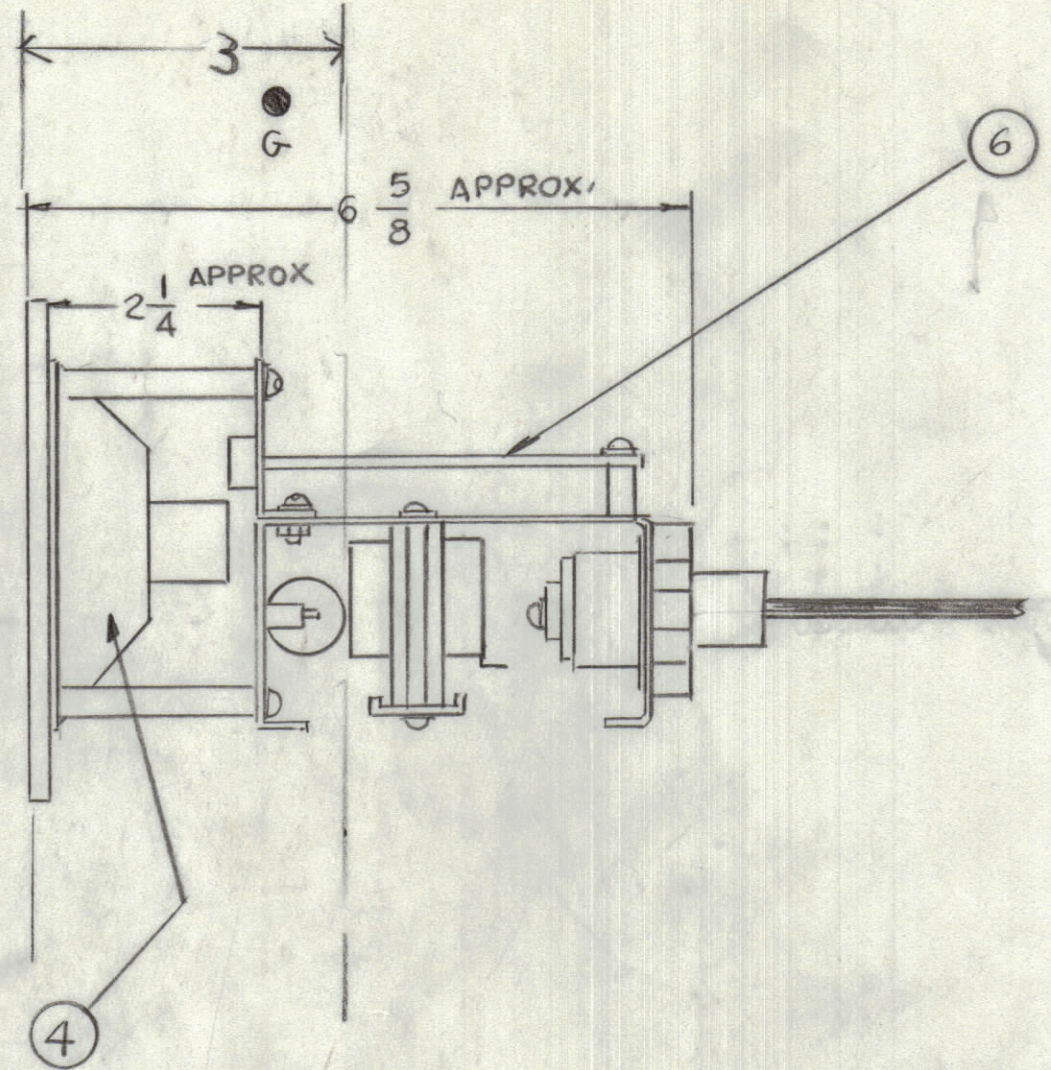
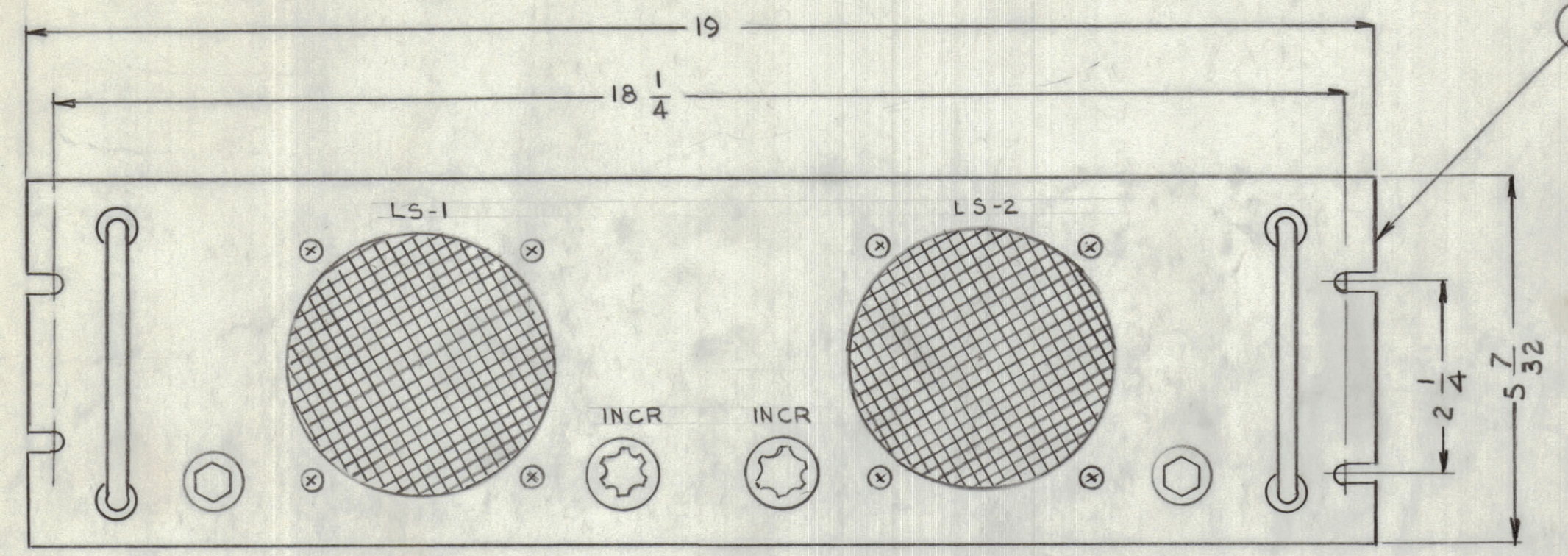
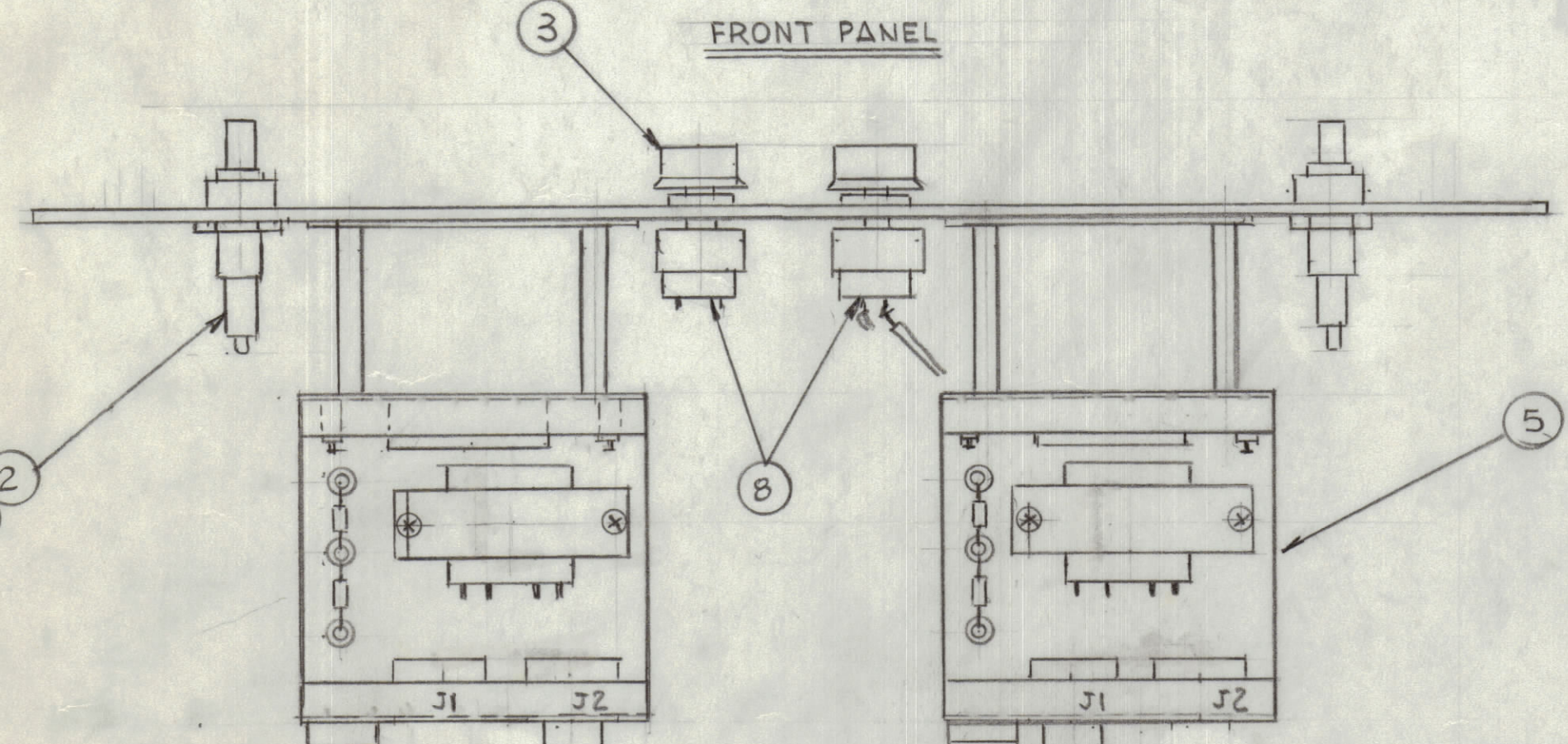


REVISIONS							
E.M.N.O	DRAFT	CHKD	ZONE	LTR	DESCRIPTION	DATE	APPROVED
6DL					ORIGINAL RELEASE FOR PRODUCTION	1-11-63	

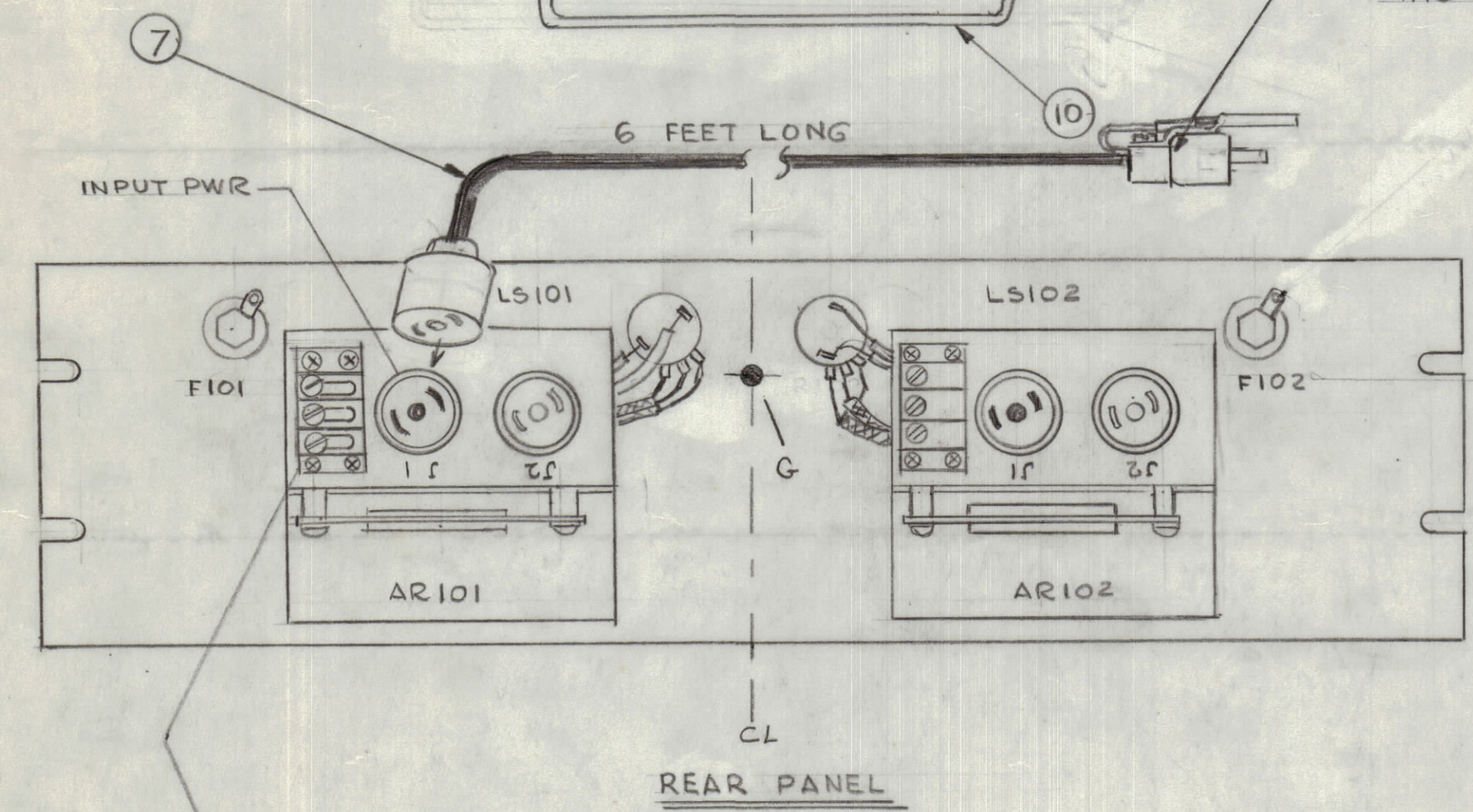


POWER SUPPLY CHANGE OVER CONNECTIONS

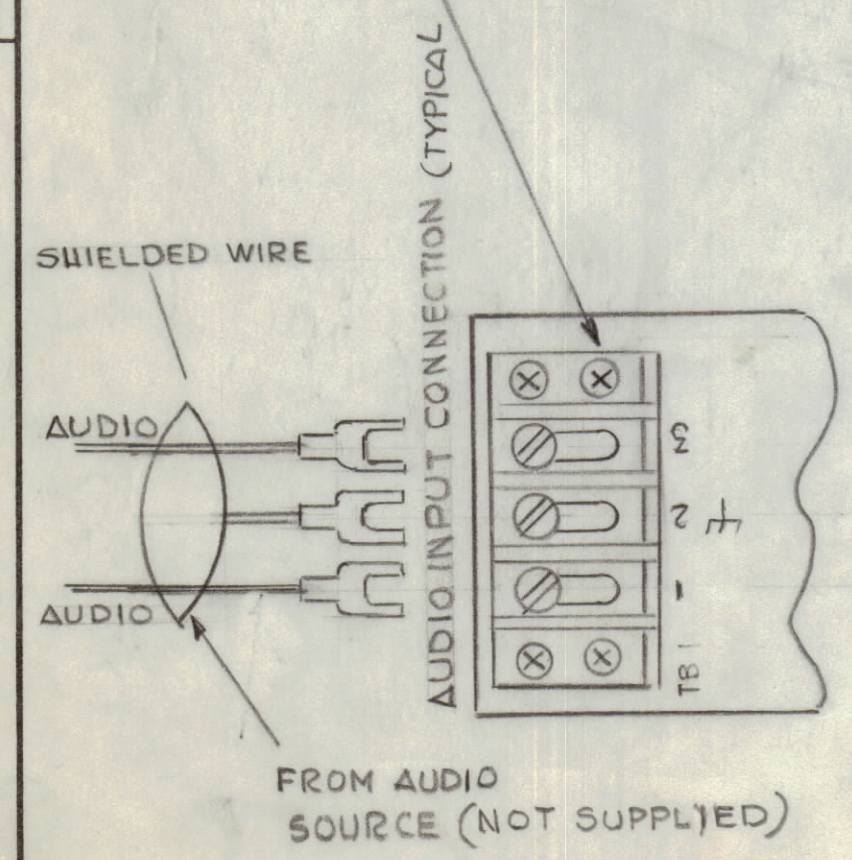


UP121 MIL-C-3767/4
TMC P/NO. PL 218

USE SHRINKABLE TUBING
ON ALL EXPOSED CONNECTIONS



INSTALLED WEIGHT
= 7 POUNDS



QTY. REQ.	ITEM	PART NO. TMC	DESCRIPTION	SYMBOL
1	10	CA 884-4	CABLE AC JUMPER	
2	9	FU 100-1	FUSE	
2	8	RV4NBYS03A	VAR. RESISTOR	
1	7	CA 1106-6'	PWR COARD	
2	6	A3699	PC BOARD ASSY...	
2	5	AZ-102	ASSY. AUDIO	
2	4	LS 102	SPEAKER	
2	3	MP 127-1	KNOB	
2	2	FH 104-3	FUSE HOLDER	
1	1	MS3067 /LD 1175	FRONT PANEL	

LIST OF MATERIAL
THE TECHNICAL MATERIEL CORP.
MAMARONECK, NEW YORK
**BSP-2D INSTALLATION
DIAGRAM**

BSP-2D		
QTY / UNIT	MODEL USED ON	ASS'Y NO.
APPLICATION		
CODE		

UNLESS OTHERWISE SPECIFIED DIMENSIONS ARE IN INCHES AND INCLUDE CHEMICALLY APPLIED OR PLATED FINISHES		FINAL APPROVAL	DATE
TOLERANCES ON		MECH. DES.	DATE
DECIMALS	FRACTIONS	ELECT. DES.	DATE
.X ± .05	± 1/64	CHECKED	DATE
.XX ± .01	ANGLES	DRAWN	DATE
.XXX ± .005	± 0° -30'	G. DE LUZIA	10-20-86

NOTICE TO PERSONS RECEIVING THIS DRAWING
THE TECHNICAL MATERIEL CORPORATION claims proprietary right in the material disclosed hereon. This drawing is issued in confidence for engineering information only and may not be reproduced or used to manufacture anything shown hereon without permission from THE TECHNICAL MATERIEL CORPORATION to the user. This drawing is loaned for mutual assistance and is subject to recall at any time.

MATERIAL	FINISH	SIZE	CODE	IDENT NO.	DWG NO.	COAST	GUARD	ISSUE
		D	82679		10-20-86			1
SCALE 1/2		SHEET		OF				