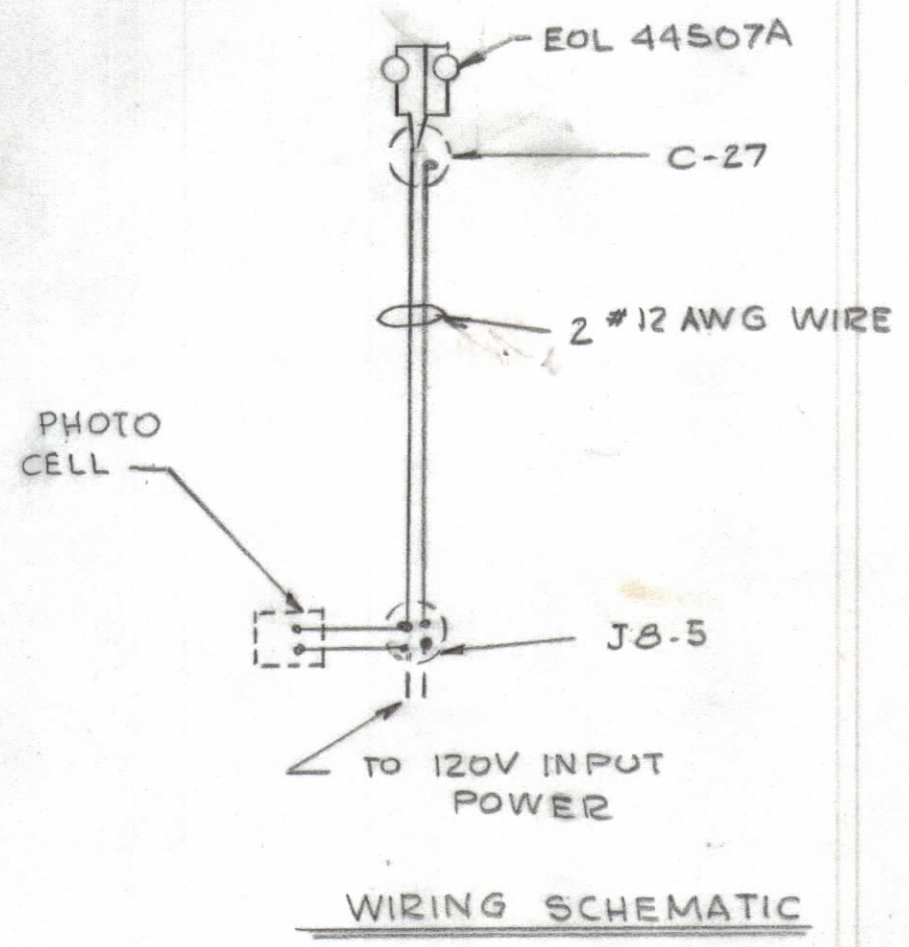
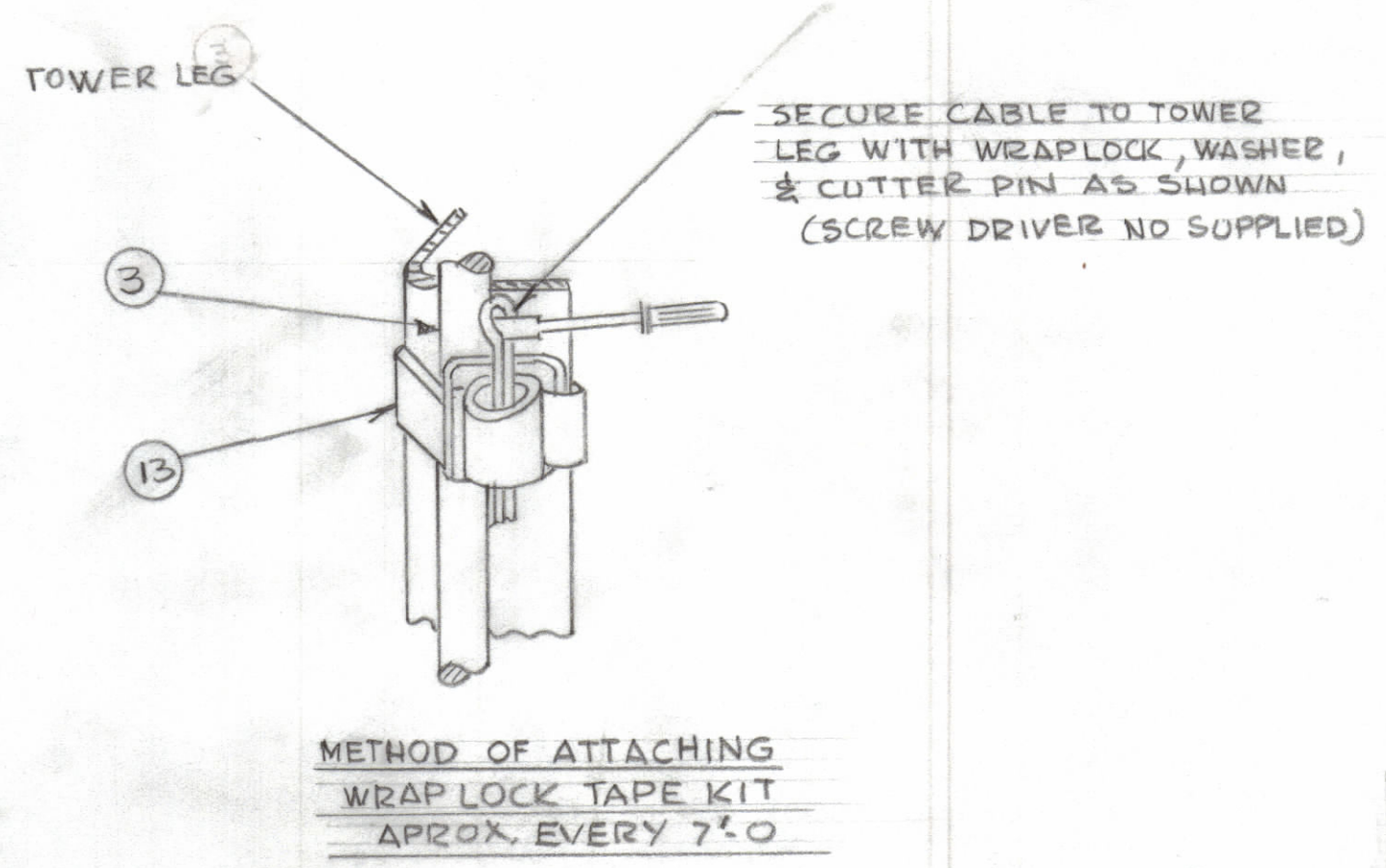
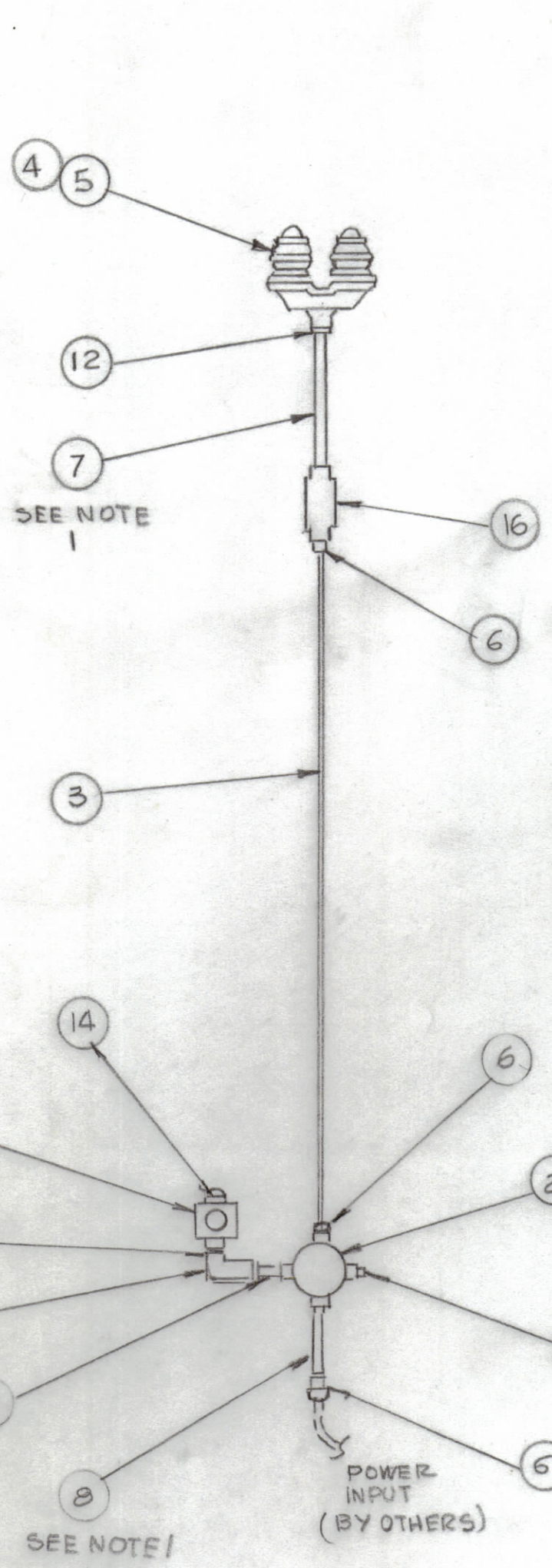


REVISIONS						
ZONE	LTR	DESCRIPTION	DATE	E.M.N.NO	DRAFT	CHKD APPD



- NOTES:**
- 1 - FASTEN CONDUIT TO TOWER WITH WRAPLOCK
 - 2 - FACE PHOTO CELL TOWARD NORD DIRECTION
 - 3 - QTY OF WIRE SHALL BE HEIGHT PLUS 5%

QTY. REQ.	ITEM	PART NO.	DESCRIPTION	SYMBOL
1	16	CC-27	CONDULET, STRAIGHT, W/LID & GASKET, 3/4"	
1	15	PPLG-2	PIPE PLUG, 3/4"	
1	14	PPLG-3	PIPE PLUG, 1"	
25	13	SS 10012-1/2	WRAPLOCK, 1/2" S.S. W(10) WASHER ² (2) CUTTER PINS 1/8" X 1 3/4"	
2	12	RRE-32	REDUCER 1" TO 3/4"	
1	11		CLOSE NIPPLE (GALV.) 3/4"	
1	10	EB-27	CONDULET, 90" ELBON W/LID & GASKET, 3/4"	
1	9		CONDUIT 3/4" X 0'-6" LONG (GALV)	
1	8		CONDUIT 3/4" X 1'-0" LONG (GALV.) W/SLEEVE	
1	7		CONDUIT 3/4" X 2'-6" LONG (GALV)	
3	6	2237	CABLE CONNECTOR, 3/4"	
3	5	6A21/TS	TRAFFIC LAMP (INCLUDES 1 SPARE)	
1	4	EDL 44507A	DOUBLE OBSTRUCTION LIGHT	
1	3		CABLE TYPE UF (EXPOSED 2 #12)	
1	2	JJB-5	JUNCTION BOX, W/LID 4 TERM. BLOCK	
1	1	EC4-51711	PHOTO ELECT. CONTROL	

LIST OF MATERIAL

FOR USE WITH 3/4" CONDUIT ONLY

QTY / UNIT	MODEL USED ON	ASS'Y NO.
APPLICATION		
	CODE	LK-15-2 CB
NOTICE TO PERSONS RECEIVING THIS DRAWING		
<small>THE TECHNICAL MATERIEL CORPORATION claims proprietary right in the material disclosed hereon. This drawing is issued in confidence for engineering information only and may not be reproduced or used to manufacture anything shown hereon without permission from THE TECHNICAL MATERIEL CORPORATION to the user. This drawing is loaned for mutual assistance and is subject to recall at any time.</small>		

FINAL APPROVAL	DATE	THE TECHNICAL MATERIEL CORP. MAMARONECK, NEW YORK A-1 LIGHTING - TYPE UF CABLE TOWERS 0' TO 150' HIGH
MECH. DES.	DATE	
ELECT. DES.	DATE	
CHECKED	DATE	
DRAWN	DATE	
TOLERANCES ON DECIMALS .X ± .05 .XX ± .01 .XXX ± .005 FRACTIONS ± 1/64 ANGLES ± 0° -30'		
MATERIAL		SIZE
FINISH		CODE IDENT. NO.
		DWG NO.
		ISSUE
		SCALE
		SHEET
		OF

DATE	12/14/81
DATE	
DATE	
DATE	12/12/81
DATE	12/7/81
SIZE	C
CODE IDENT. NO.	82679
DWG NO.	ID 467
ISSUE	
SCALE	
SHEET	1
OF	