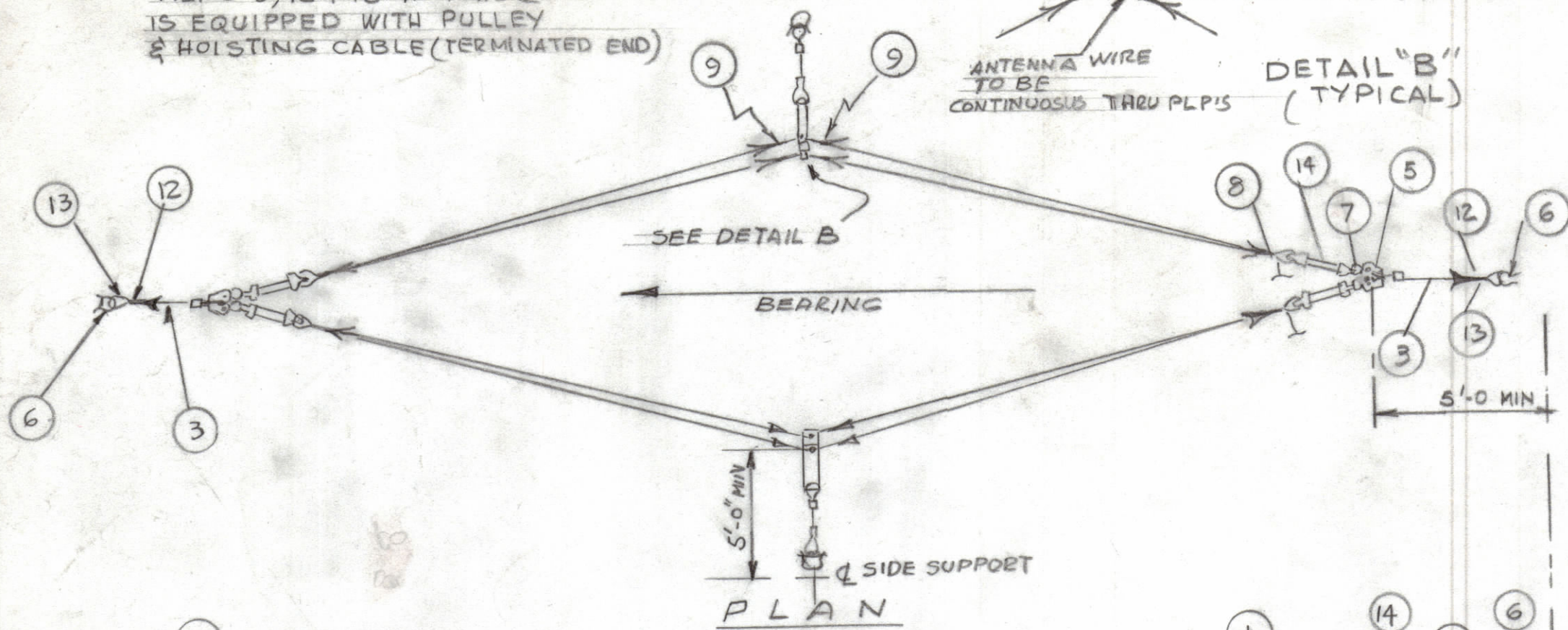


NOTES: DELETE QTY 1 EACH OF ITEMS 3, 12 & 13 IF TOWER IS EQUIPPED WITH PULLEY & HOISTING CABLE (TERMINATED END)

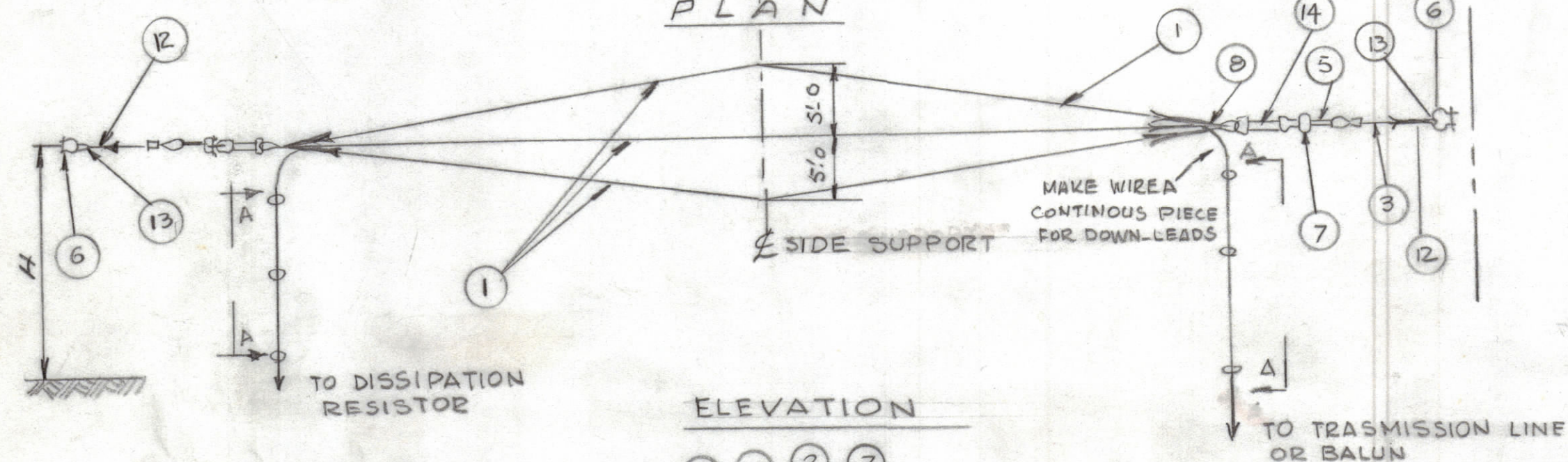
PLP LOOPS TO BE WOVEN TOGETHER AT INSULATOR EYE

ANTENNA WIRE TO BE CONTINUOUS THRU PLP'S

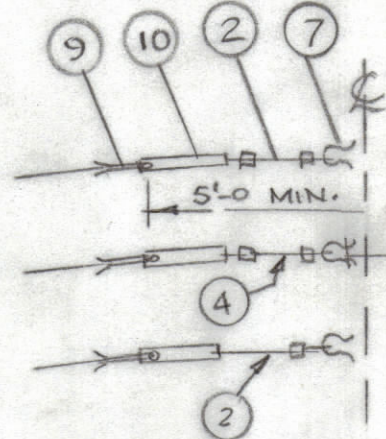
DETAIL "B" (TYPICAL)



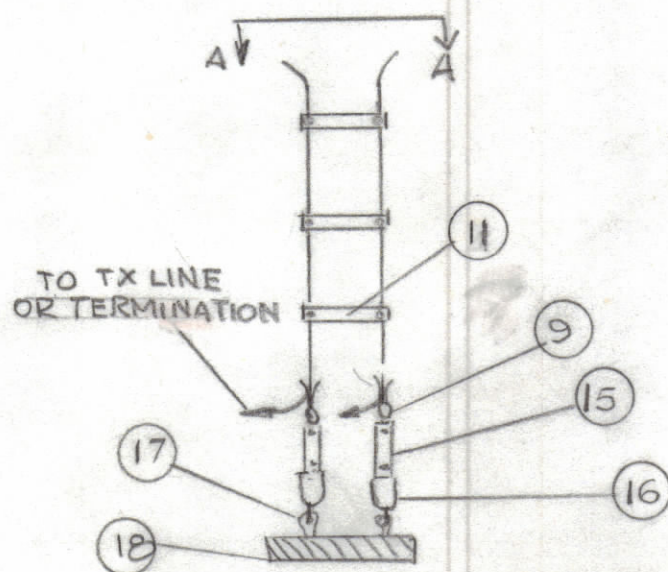
PLAN



ELEVATION



TYPICAL ELEVATION VIEW OF ANTENNA ATTACHMENT TO SIDE SUPPORTS

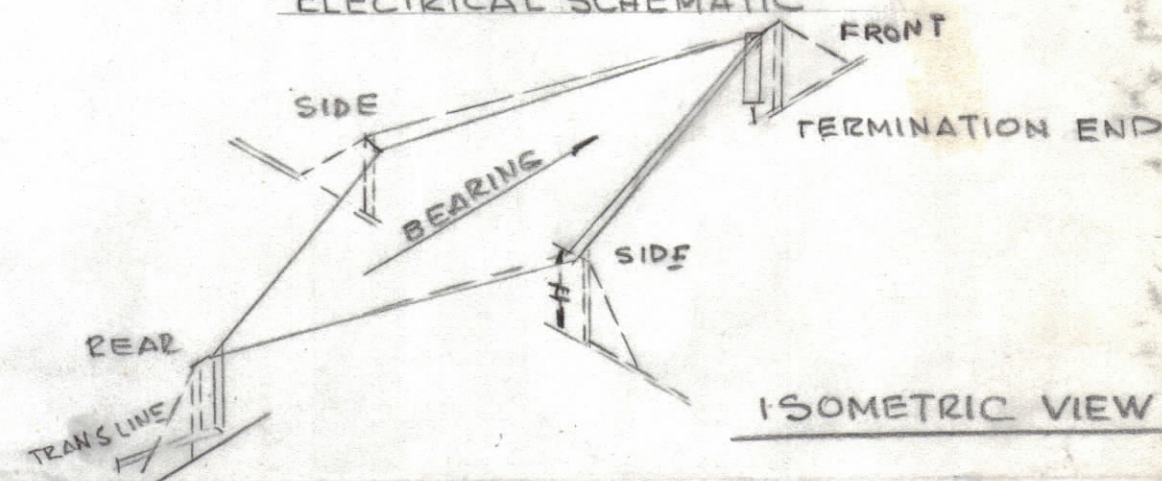


SEE NOTE

REVISIONS						
ZONE	LTR	DESCRIPTION	DATE	E.M.N.O	DRAFT	CHKD APPD



ELECTRICAL SCHEMATIC



ISOMETRIC VIEW

2	18		WOOD CROSS ARM	
4	17		EYE BOLT, 1/2 X 6" W/NUT	
4	16	SC-A-274	SHACKLE, INSULATOR	
4	15	SC-A-286	STRAIN, INSULATOR, DOWN LEADS	
4	14		STRAIN, INSULATOR, EYE ENDS	
2	13		THIMBLE, 7/16 GALV	
2	12		PLP GRIP, 7/16 BG-2148	
6	11	A-1082	SPREADER INSULATOR, 12" ROUND	
6	10		STRAIN, INSULATOR, SIDE, RECTANGULAR	
16	9		PLP GRIP CDE 3#12 CDE 8102	
4	8		PLP GRIP 3-WAY CDE 3-112 (GG-MS-5152)	
10	7		SHACKLE, 3/8"	
2	6		SHACKLE, 1/2"	
2	5	727-170	EQUALIZER PLATE, 3 HOLE	
2	4	S-3	SLING, SIDE, 1/4"-7 EHS, 2'-6" LG	
2	3	S-1	SLING, END, 7/16-7 UTIL, 4'-0" LG	
4	2	S-2	SLING, SIDE, 1/4"-7 EHS, 2'-7 3/4" LONG	
*	1		WIRE 3#12 COPPER WELD, H.S. 40% CONDUCT.	

QTY. REQ.	ITEM	PART NO.	DESCRIPTION	SYMBOL
-----------	------	----------	-------------	--------

LIST OF MATERIAL

SEE B/M ITEM NO. 1

TYPE	LEG LENGTH	QTY WIRE
D	375'	5,800'
F	500'	7,400'
E	275'	4,100'

INITIAL TENSION - 275 # EACH WIRE

QTY / UNIT	MODEL USED ON	ASS'Y NO.
APPLICATION		
CODE	B-RA-4-T	

NOTICE TO PERSONS RECEIVING THIS DRAWING  
THE TECHNICAL MATERIEL CORPORATION claims proprietary right in the material disclosed hereon. This drawing is issued in confidence for engineering information only and may not be reproduced or used to manufacture anything shown hereon without permission from THE TECHNICAL MATERIEL CORPORATION to the user. This drawing is loaned for mutual assistance and is subject to recall at any time.

UNLESS OTHERWISE SPECIFIED DIMENSIONS ARE IN INCHES AND INCLUDE CHEMICALLY APPLIED OR PLATED FINISHES

TOLERANCES ON

DECIMALS	FRACTIONS
.X ± .05	± 1/64
.XX ± .01	ANGLES
.XXX ± .005	± 0°-30'

MATERIAL

FINISH

FINAL APPROVAL  
MECH. DES.

DATE  
11/15/81

ELECT. DES.

DATE

CHECKED

DATE  
11/14/81

DRAWN

DATE  
11/16/81

THE TECHNICAL MATERIEL CORP.  
MAMARONECK, NEW YORK

RHOMBIC TRANSMITTING ANT.

3-WIRE CURTAIN  
(TYPE D, E, & F)

SIZE	CODE IDENT. NO.	DWG NO.	ISSUE
C	82679	ID 468	

SCALE SHEET OF