

4

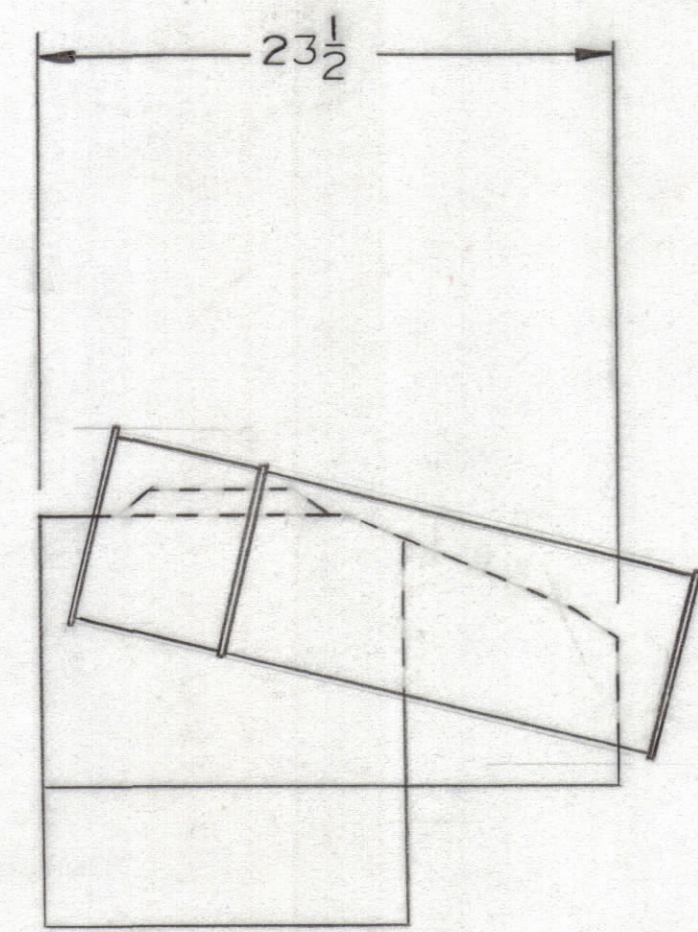
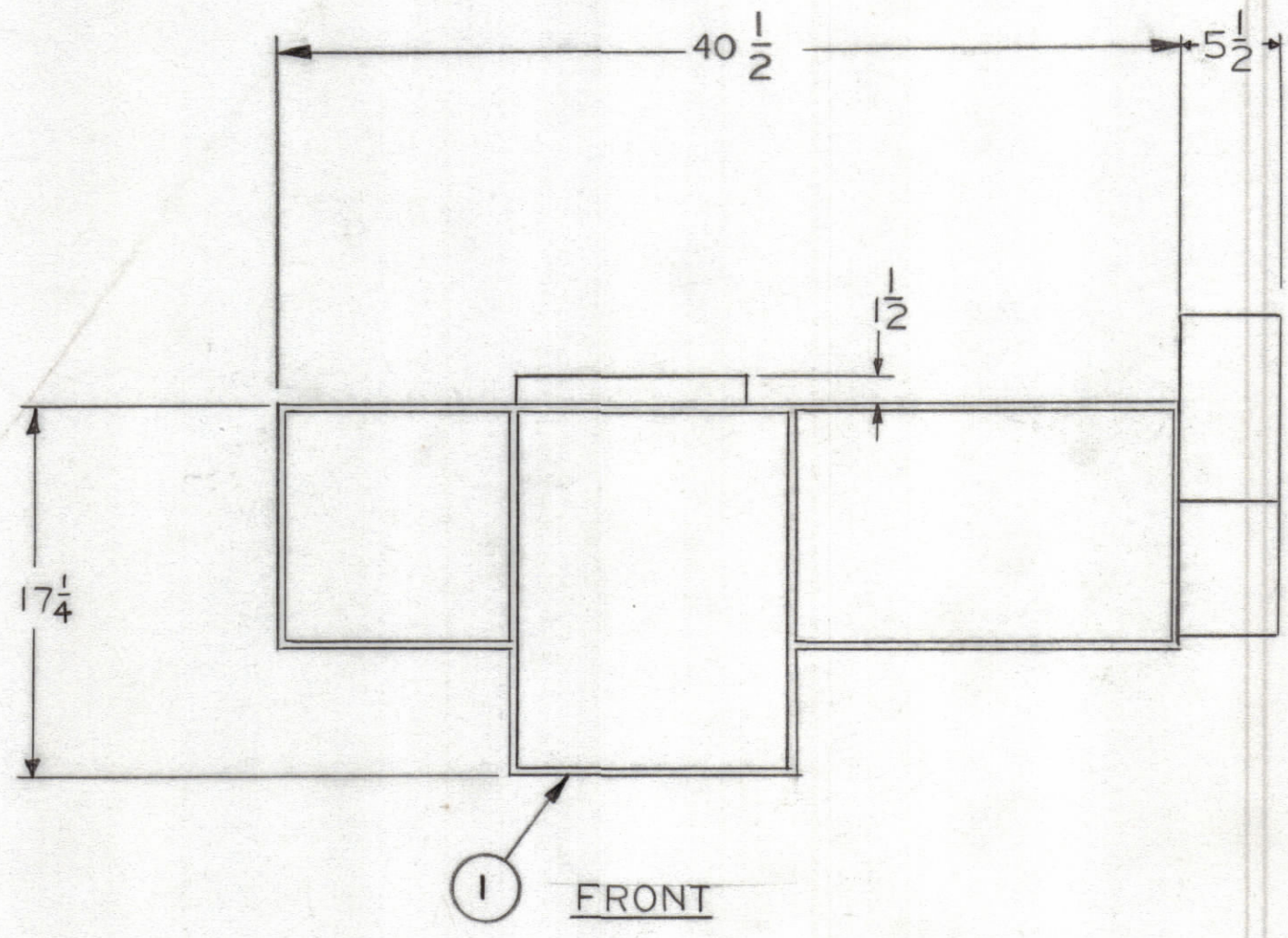
3

2

1

REVISIONS						
ZONE	LTR	DESCRIPTION	DATE	E.M.N.NO	DRAFT	CHKD APPD

NOTES:  
 1. INTERPRET IN ACCORDANCE WITH MIL-D-1000  
 2. UNLESS OTHERWISE SPECIFIED, ALL DIMENSIONS ARE IN INCHES  
 3. UNLESS OTHERWISE SPECIFIED, ALL DIMENSIONS ARE TO CENTER UNLESS OTHERWISE SPECIFIED



2	ANT. TUNING SYSTEM		ATS-4 D,B	I
QTY REQD	NOMEN OR DESC.	CODE IDENT.	IDENT NO.	FIND NO.

QTY. REQ.	ITEM	PART NO.	DESCRIPTION	SYMBOL
LIST OF MATERIAL				
<b>THE TECHNICAL MATERIEL CORP.</b> MAMARONECK, NEW YORK				
STMC MODEL NO. ATS-4/ING ATS-4 DEB SOURCE CONTROL DWG				
SIZE	CODE	IDENT. NO.	DWG NO.	ISSUE
C		82679	ID 8042	∅
SCALE 1/8"=1"			SHEET 2 OF 3	

UNLESS OTHERWISE SPECIFIED DIMENSIONS ARE IN INCHES AND INCLUDE CHEMICALLY APPLIED OR PLATED FINISHES

TOLERANCES ON  
 DECIMALS .X ± .05  
 .XX ± .01  
 .XXX ± .005  
 FRACTIONS ± 1/64  
 ANGLES ± 0° -30'

2 / 9	ATS-4-DEB	
QTY / UNIT	MODEL USED ON	ASS'Y NO.
APPLICATION		
	CODE	

NOTICE TO PERSONS RECEIVING THIS DRAWING  
 THE TECHNICAL MATERIEL CORPORATION claims proprietary right in the material disclosed hereon. This drawing is issued in confidence for engineering information only and may not be reproduced or used to manufacture anything shown hereon without permission from THE TECHNICAL MATERIEL CORPORATION to the user. This drawing is loaned for mutual assistance and is subject to recall at any time.

4

3

2

1