

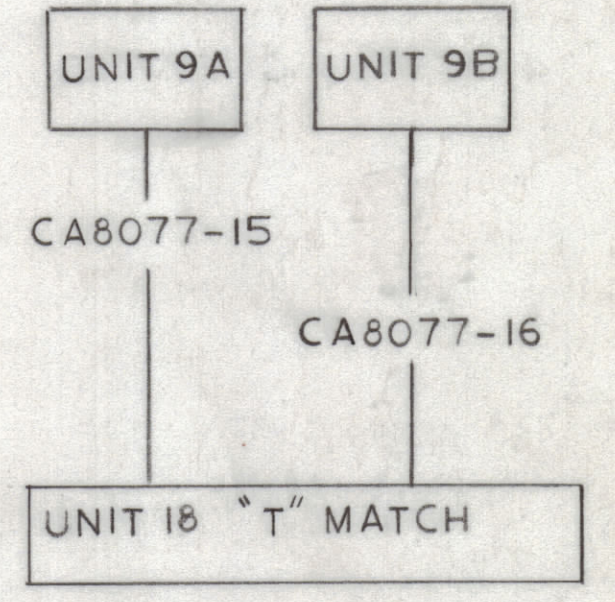
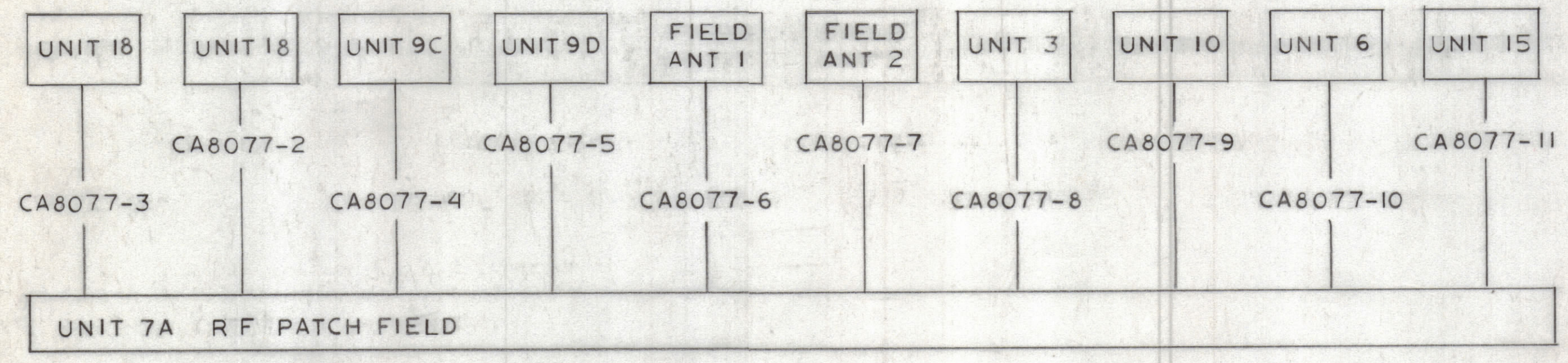
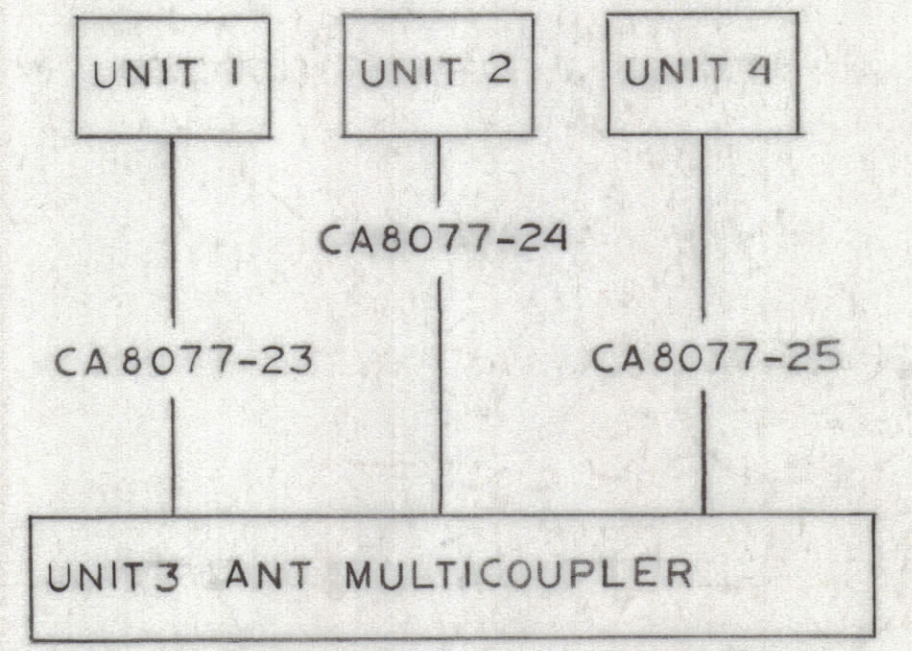
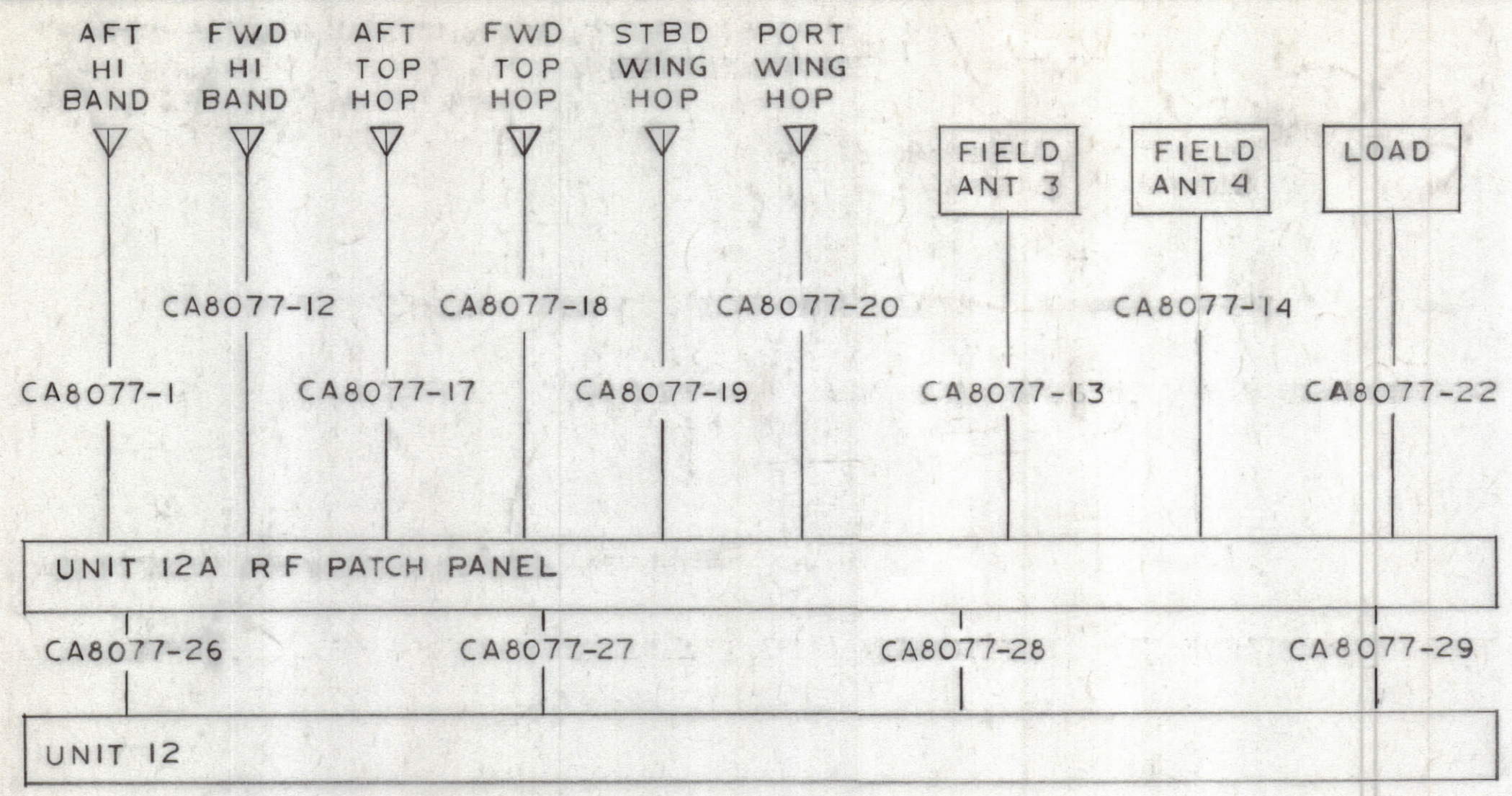
4

3

2

1

REVISIONS						
ZONE	LTR	DESCRIPTION	DATE	E.M.N.NO	DRAFT	CHKD APPD



QTY. REQ.	ITEM	PART NO.	DESCRIPTION	SYMBOL
LIST OF MATERIAL				
FINAL APPROVAL		DATE	THE TECHNICAL MATERIEL CORP. MAMARONECK, NEW YORK RF SIGNAL DISTRIBUTION DIAGRAM	
MECH. DES.		DATE		
ELECT. DES.		DATE		
CHECKED		DATE	SIZE CODE IDENT.NO. DWG NO. ISSUE C 82679 ID 8060	
DRAWN		DATE		
MATERIAL			SCALE	SHEET 1 OF 1
FINISH				

PLANE	MODEL USED ON	ASS'Y NO.
APPLICATION		
QTY / UNIT	CODE	

NOTICE TO PERSONS RECEIVING THIS DRAWING
 THE TECHNICAL MATERIEL CORPORATION claims proprietary right in the material disclosed hereon. This drawing is issued in confidence for engineering information only and may not be reproduced or used to manufacture anything shown hereon without permission from THE TECHNICAL MATERIEL CORPORATION to the user. This drawing is loaned for mutual assistance and is subject to recall at any time.

4

3

2

1