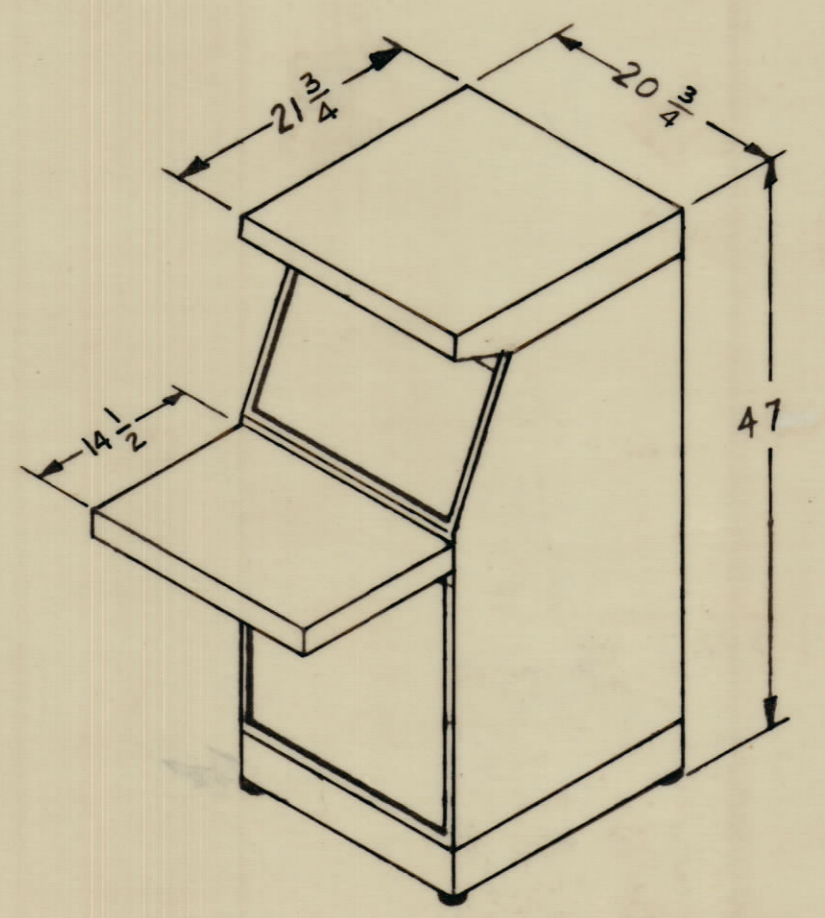
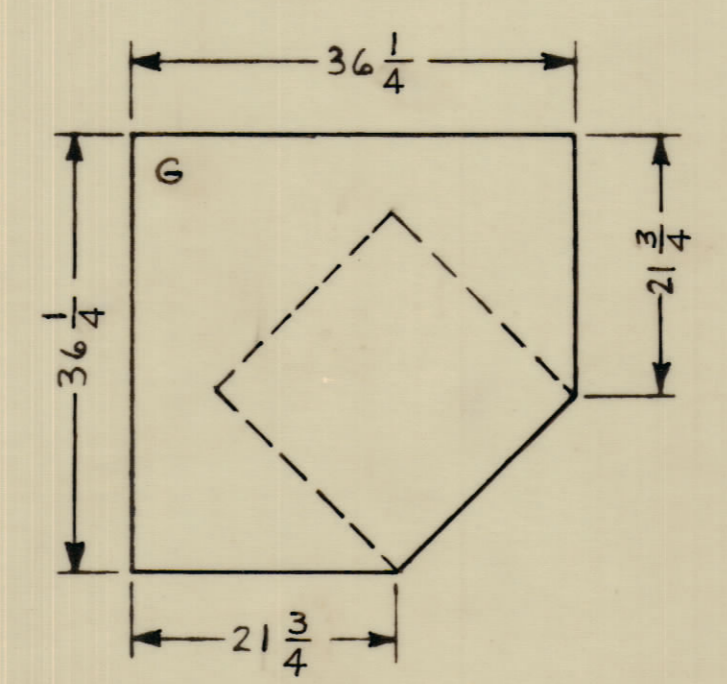
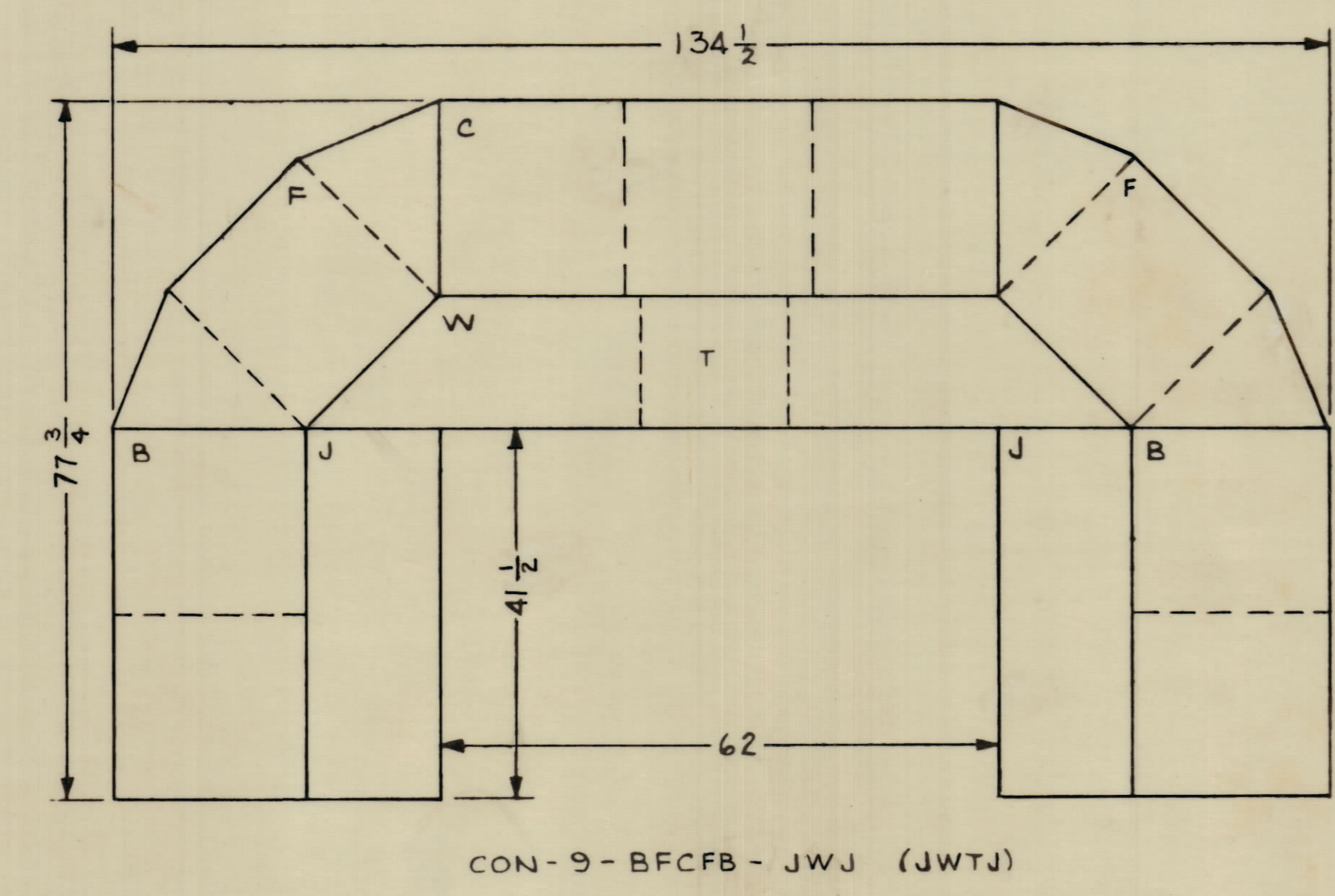
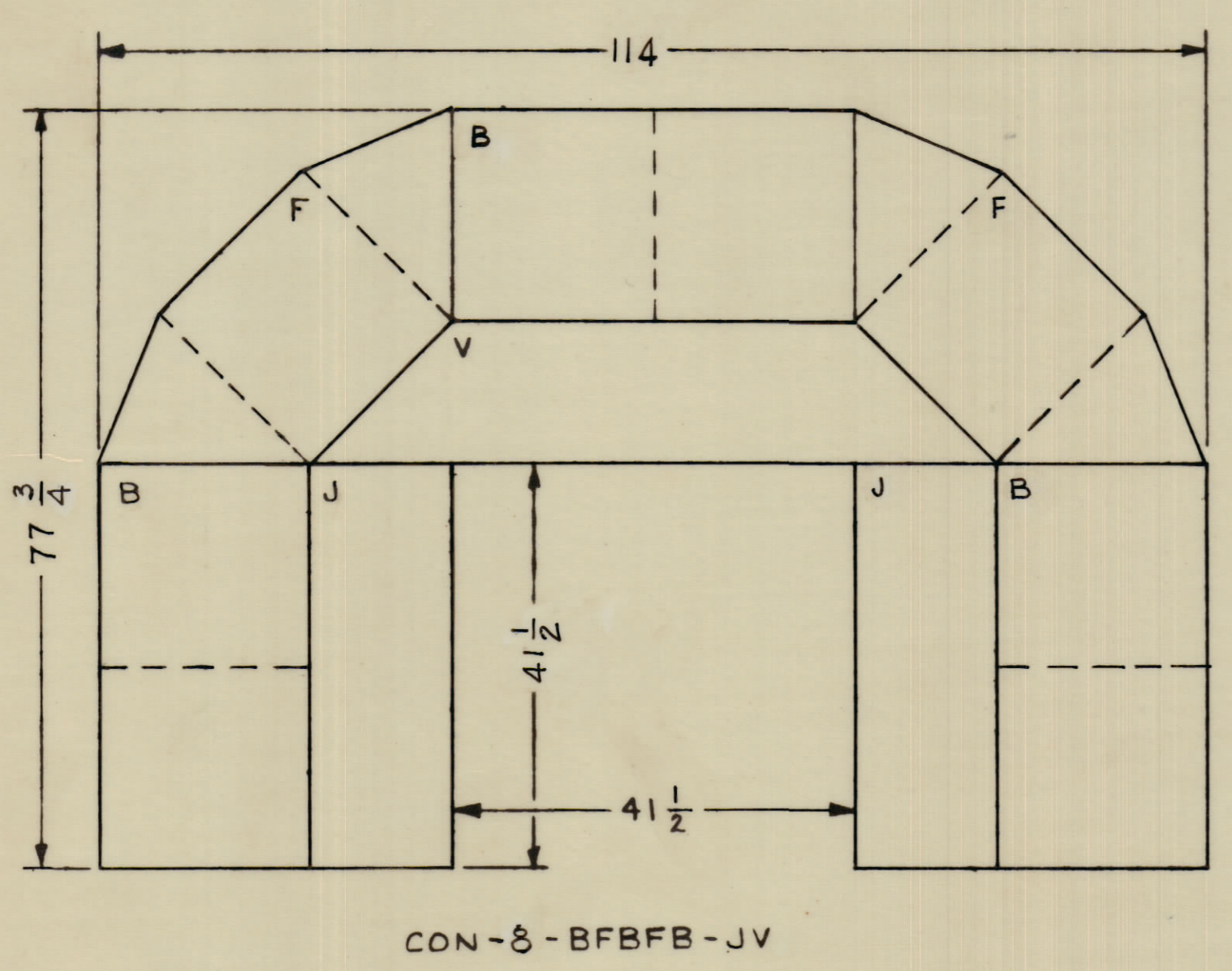
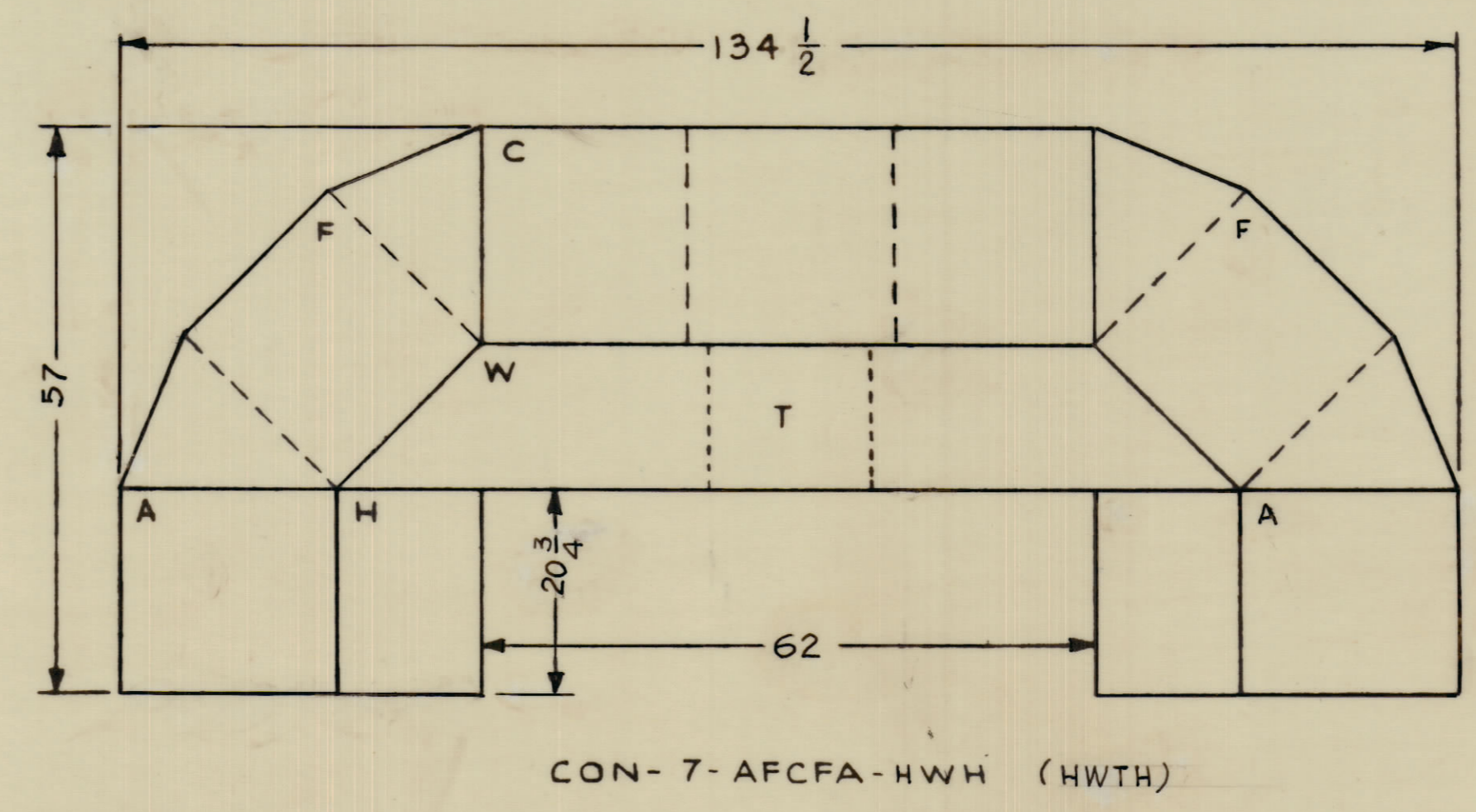
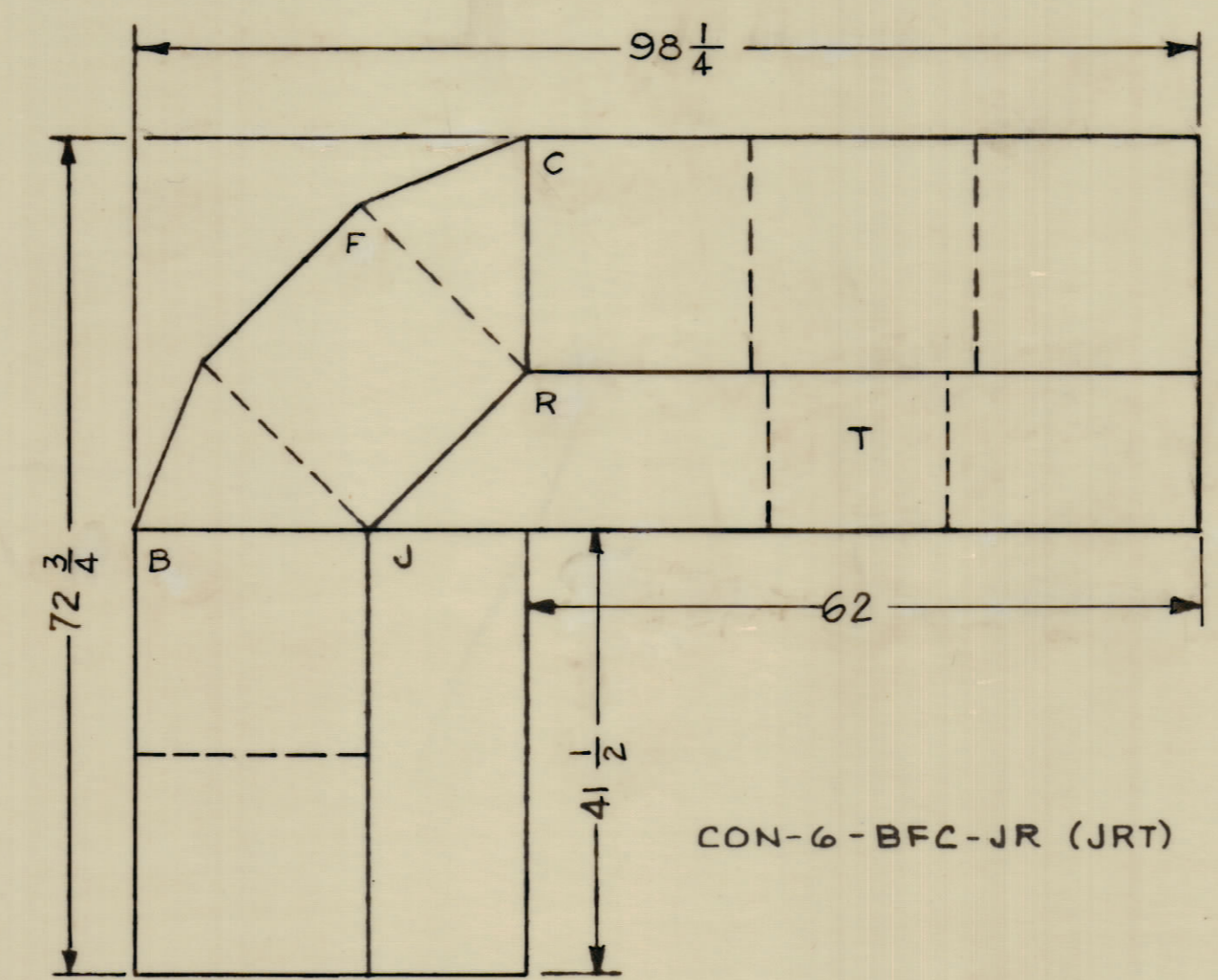
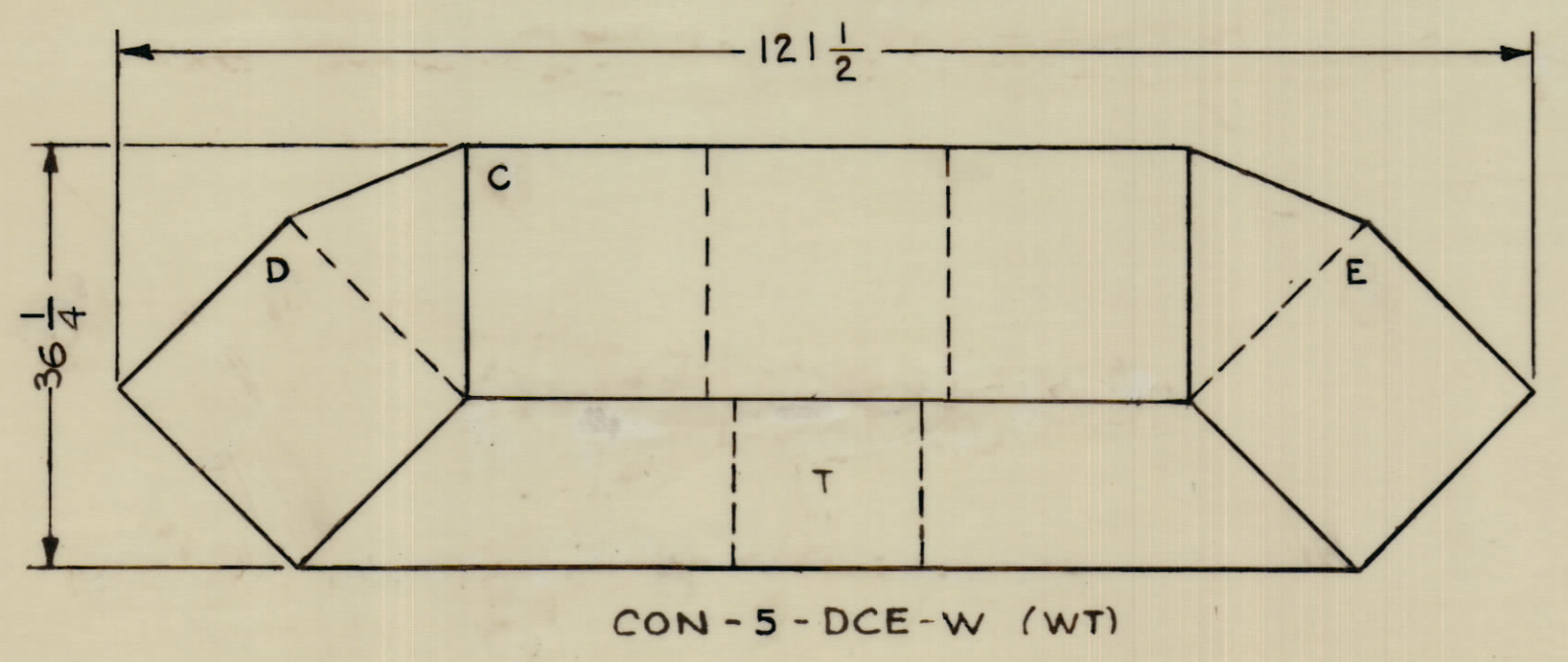
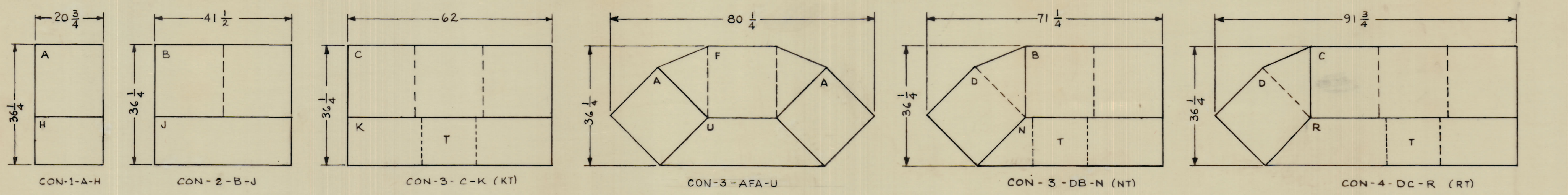


REVISIONS						
NO.	DATE	BY	DESCRIPTION	CHKD.	APPD.	



NOTES

THE CONTENTS OF THIS DRAWING ARE THE EXCLUSIVE PROPERTY OF THE TECHNICAL MATERIEL CORP. ITS UNAUTHORIZED USE OR REPRODUCTION IN WHOLE OR IN PART IS STRICTLY FORBIDDEN.

QTY/UNIT	MODEL USED ON	ASSY. NO.
#	A	

SCALE	UNLESS OTHERWISE SPECIFIED DIMENSIONS ARE IN INCHES AND INCLUDE CHEMICALLY APPLIED OR PLATED FINISHES	FRACCTIONS	TOLERANCES
1:1		1/64	± 1/64
2:1		1/32	± 1/32
3:1		1/16	± 1/16

REV. NO.	ITEM	PART NUMBER	DESCRIPTION	SYMBOL
LIST OF MATERIAL (TECH BULLETIN 9001)				
MATERIAL				
THE TECHNICAL MATERIEL CORP. MAMARONECK, NEW YORK				
FINISH				
TITLE				
CONSOLES TYPICAL CONFIGURATION				
DATE	DATE	DATE	DATE	DATE
7-7-63	1/17/64			
W. TANTILLO				
MECH DES				
DATE	DATE	DATE	DATE	DATE
1/20/64				
IN-1156				

IN 1156