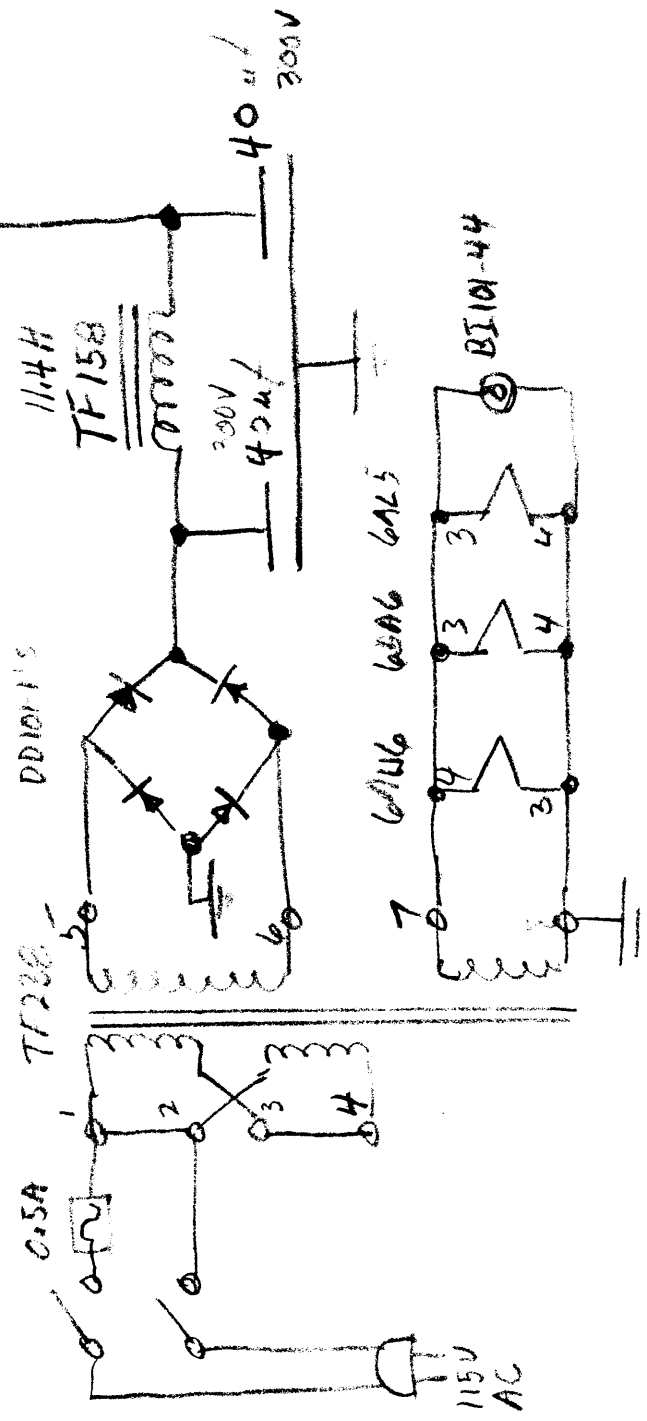
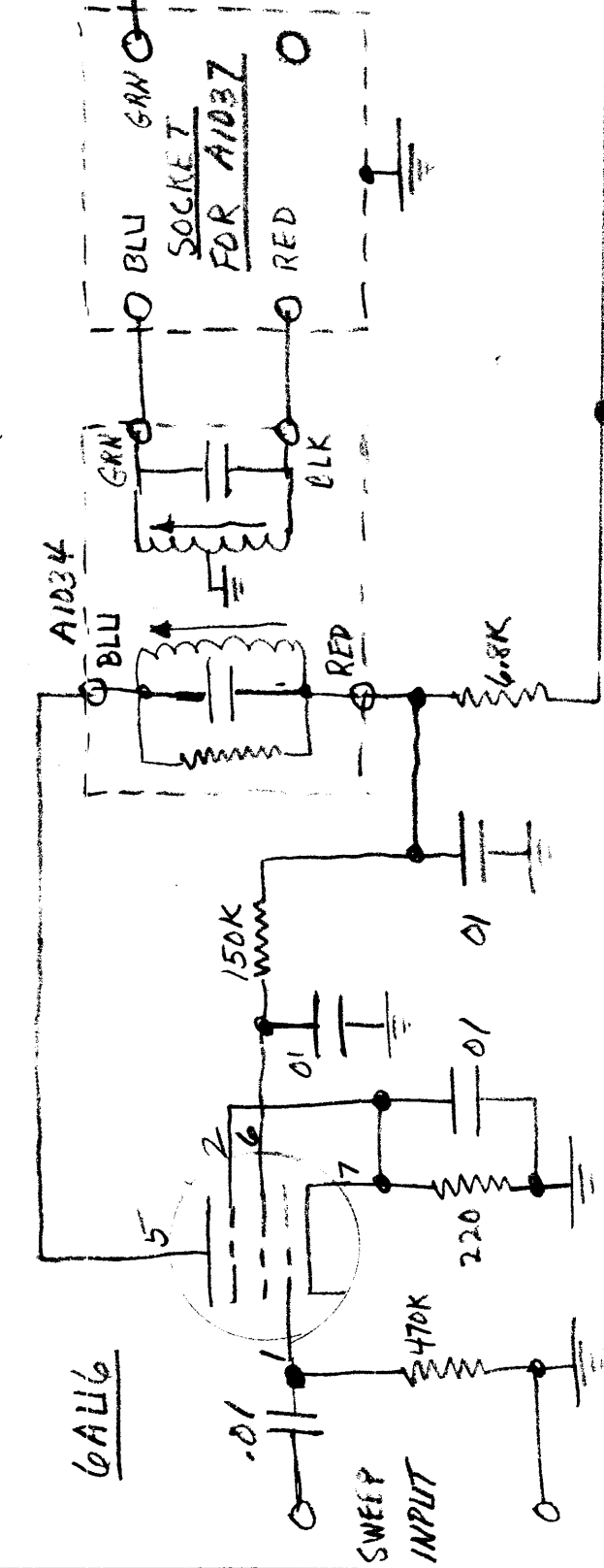
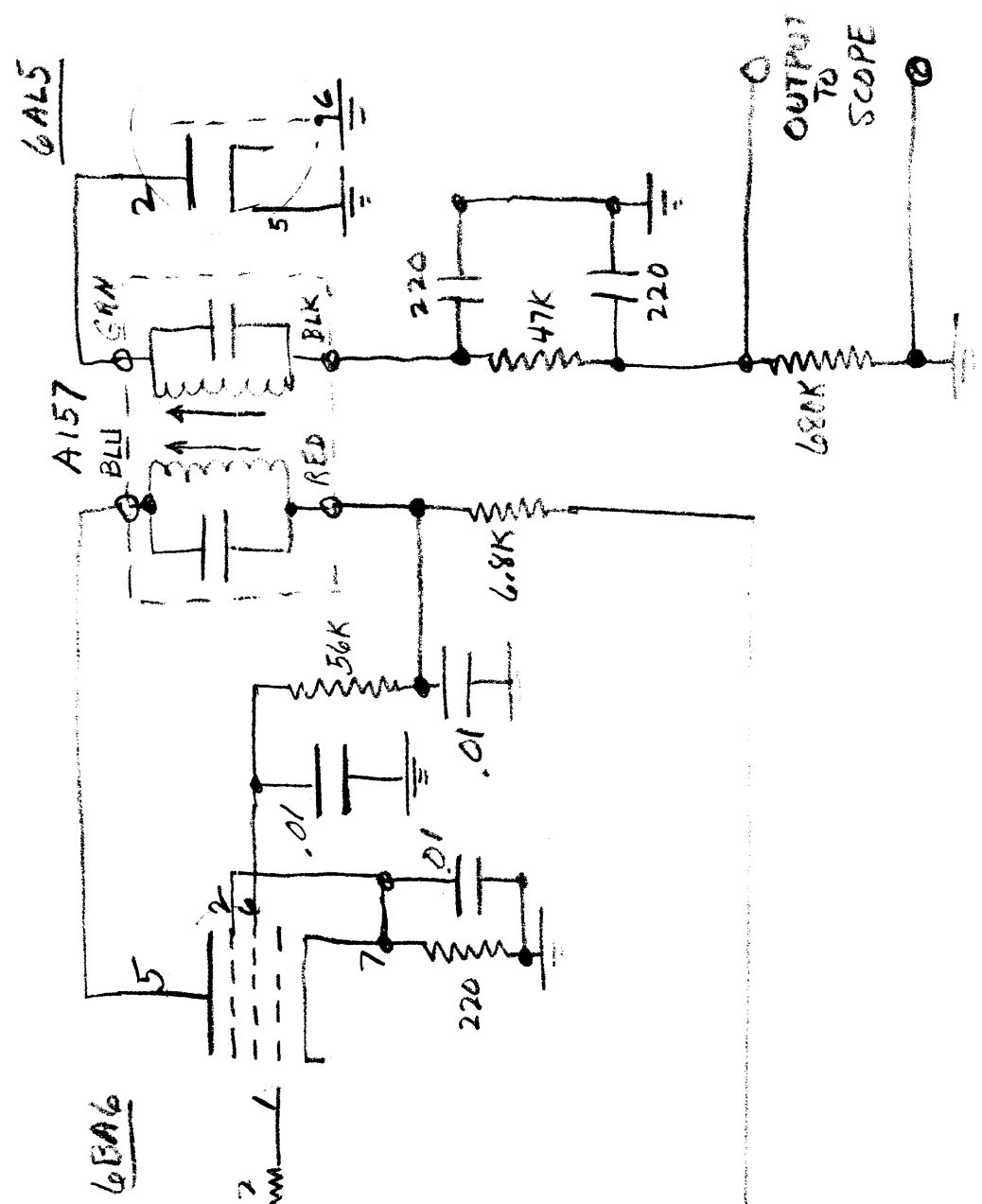


REVISIONS

SYM	DESCRIPTION	DATE	E.M.N. NO.	DRAFT	CHKD	APPD
Ø	ORIGINAL RELEASE FOR PRODUCTION	2-18-65	Ø	ØZ		

Ø  
N115D



REQ'D.	ITEM	PART NUMBER	DESCRIPTION	SYMBOL
LIST OF MATERIAL				
MATERIAL				
FINISH				

THE TECHNICAL MATERIEL CORP.  
MAMARONECK, NEW YORK

TITLE	DATE	DATE	DATE	DATE
TEST J16 XTAL FILTER ASSEMBLY A1037				
DRAWN RHM				
CHECKED QCB				
ELECT. DES. M				
MECH. DES.				

QTY./UNIT	MODEL USED ON	ASSY. NO.
SCALE		

THE CONTENTS OF THIS DRAWING ARE THE EXCLUSIVE PROPERTY OF THE TECHNICAL MATERIEL CORP. ITS UNAUTHORIZED USE OR REPRODUCTION IN WHOLE OR IN PART IS STRICTLY FORBIDDEN.

NOTES