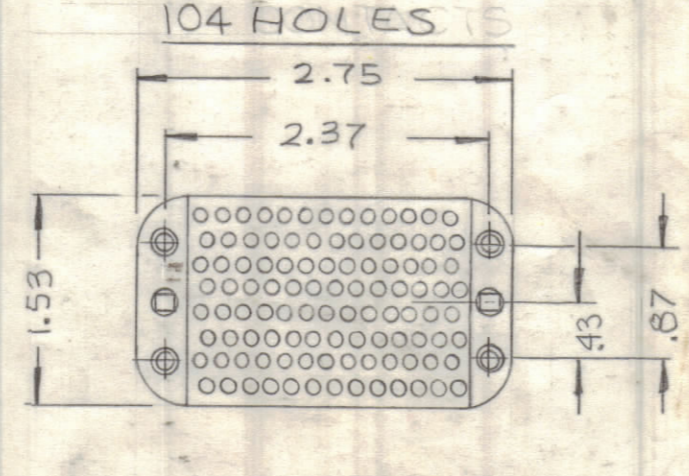
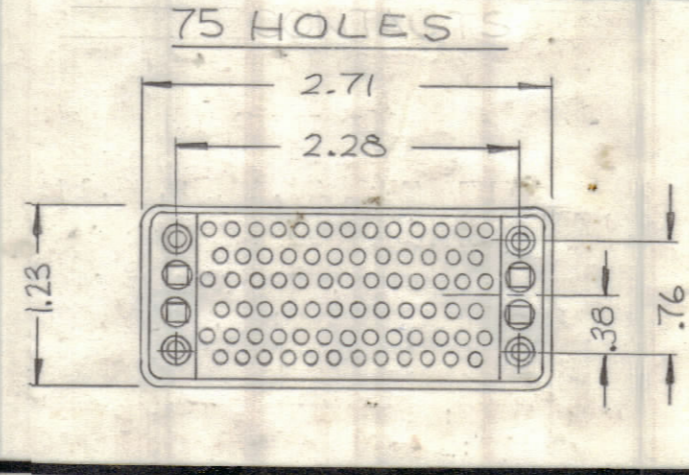
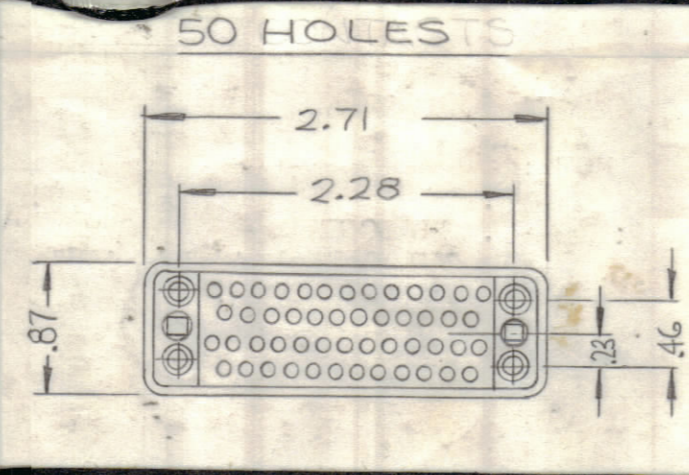
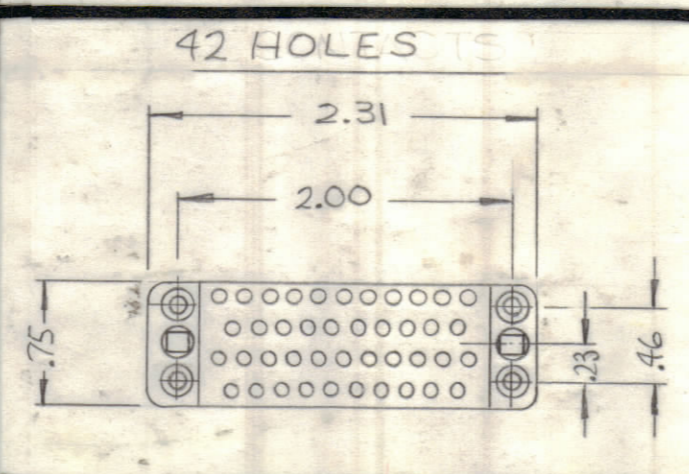
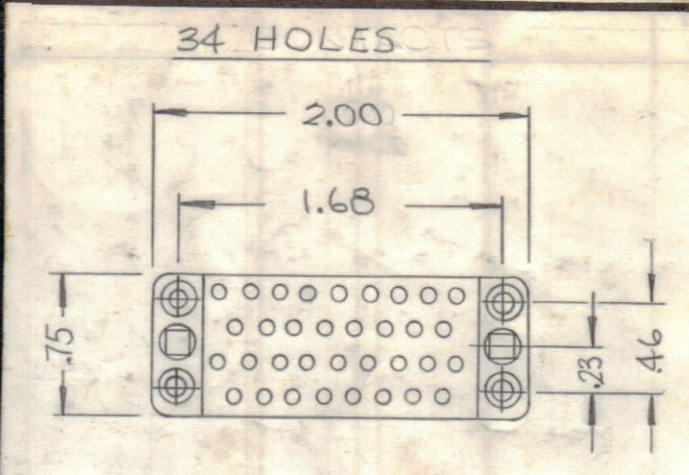
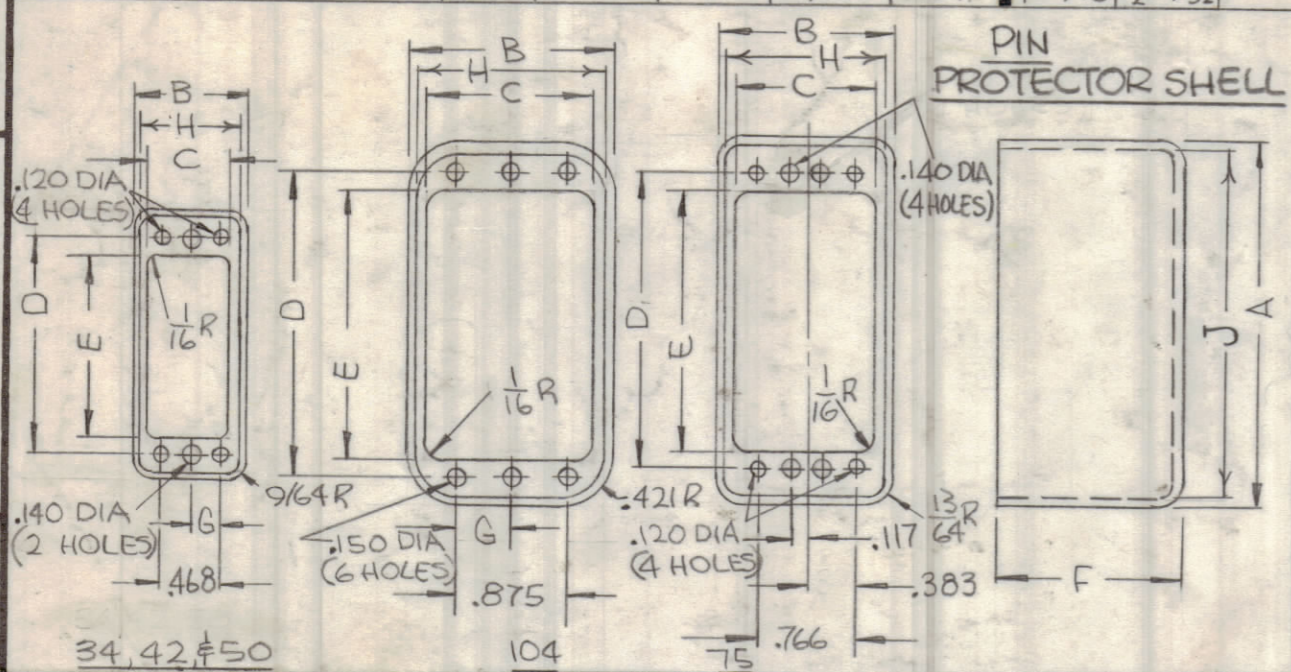
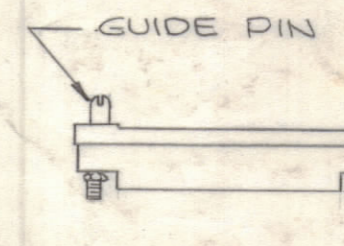
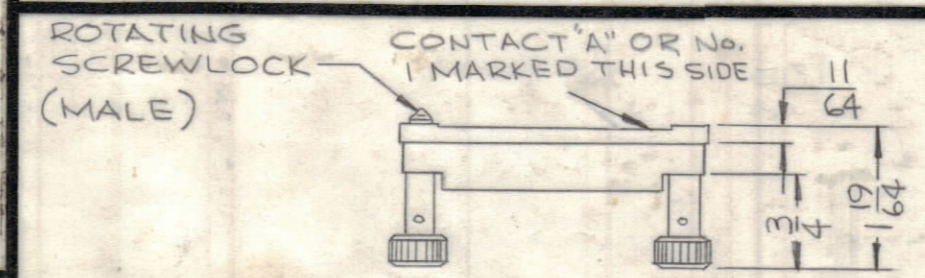
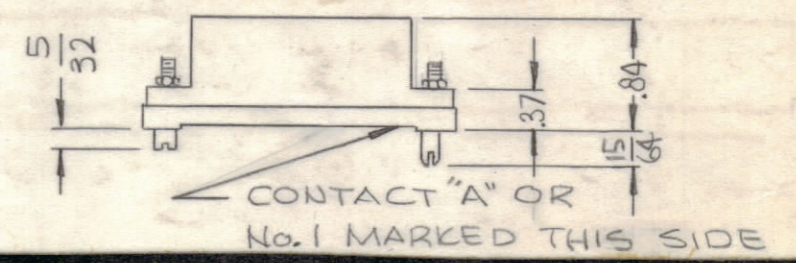
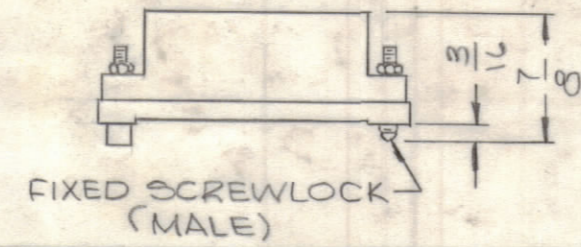


CONTACT	SHELL DIMENSIONS PLUG & RECEPTACLE							RECEPTACLE SHELL ONLY	
	A	B	C	D	E	F	G	H	J
34	2-1/8	7/8	3/4	1.687	1-7/16	21/32	.234	57/64	2-9/64
42	2-7/16	7/8	3/4	2.000	1-3/4	21/32	.234	57/64	2-29/64
50	2-27/32	1	3/4	2.282	2-1/32	21/32	.234	1-1/64	2-55/64
75	2-27/32	1-23/64	1-7/64	2.282	2-1/32	21/32	—	1-3/8	2-55/64
104	2-7/8	1-21/32	1-31/64	2.375	2-1/8	21/32	.437	1-11/16	2-29/32



REVISIONS						
SYM	ZONE	DESCRIPTION	DATE	E.M.N.O.	DRAFT	CHKD APPD
XI		ON PIN PROTECTOR SHELL ADD 'H' & 'J', REV. PCT. ON SHELL & HOOD, PT. NO. FORM SHELL RECEPTACLE	12/21/66	—	Jc	
Ø		ORIGINAL RELEASE FOR PRODUCTION	12/22/66	—	Jc	
A		UPDATE & REV.	10.21.66	19079	—	EFM

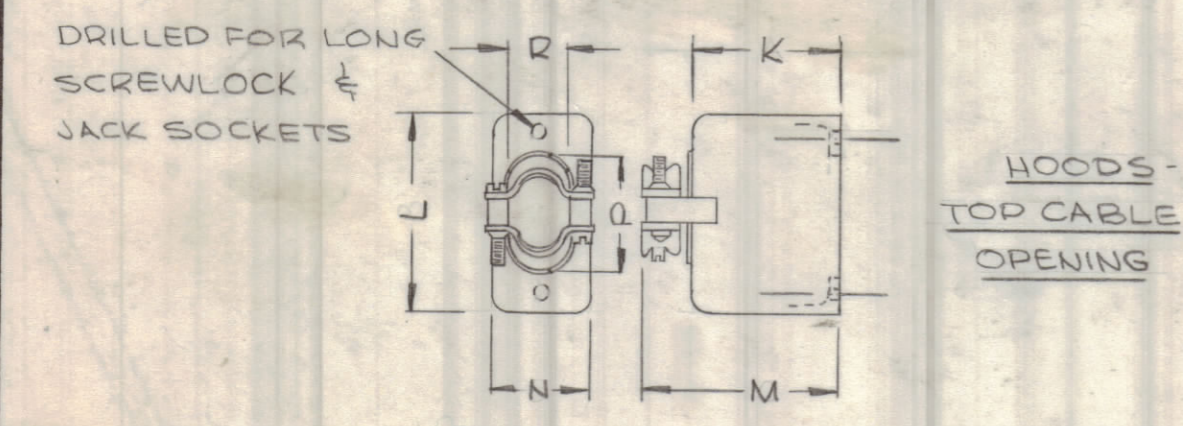
FEMALE BLOCK
(ACCEPTS FEMALE CONTACTS ONLY)



MALE BLOCK
ACCEPTS MALE CONTACTS ONLY

- NOTE:
1. MALE OR FEMALE BLOCKS MAY BE MOUNTED ON CHASSIS, INCLUDING FIXED SCREW LOCK TYPE.
 2. THE SCREW LOCK OR GUIDE PIN MATING CONFIGURATION REMAINS AS SHOWN ON PICTORIAL. THE FEMALE GUIDE WILL APPEAR NEXT TO THE "A" OR NO. 1 CONTACT ON THE MALE BLOCK AND VICE VERSA ON THE FEMALE BLOCK.

CONTACT	DIMENSIONS					CABLE OPENING	
	K	L	M	N	P DIA.	R DIA.	
34	1-1/4	2	1-3/4	53/64	1-1/16	9/16	
42	1-19/64	2-5/16	1-51/64	53/64	1-1/16	9/16	
50	1-19/64	2-19/32	1-51/64	53/64	1-1/16	9/16	
75	1-5/16	2-19/32	1-55/64	1-3/16	—	7/8	
104	2-5/16	2-27/32	2-53/64	1-5/8	—	—	

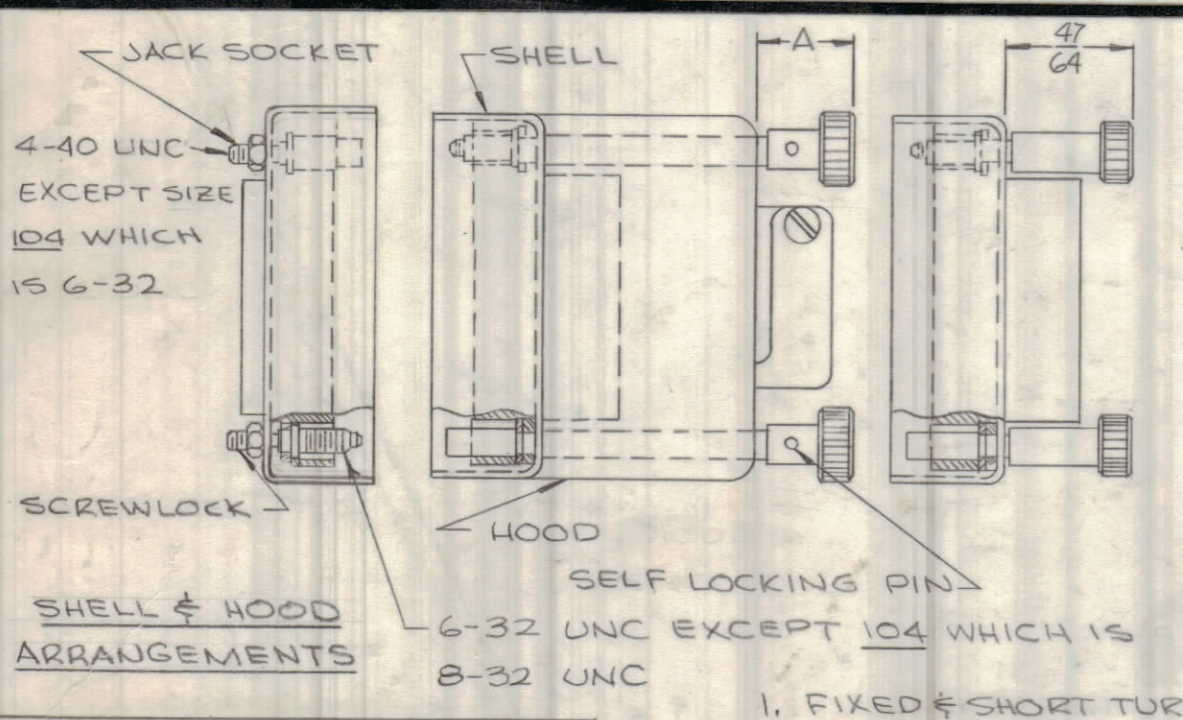
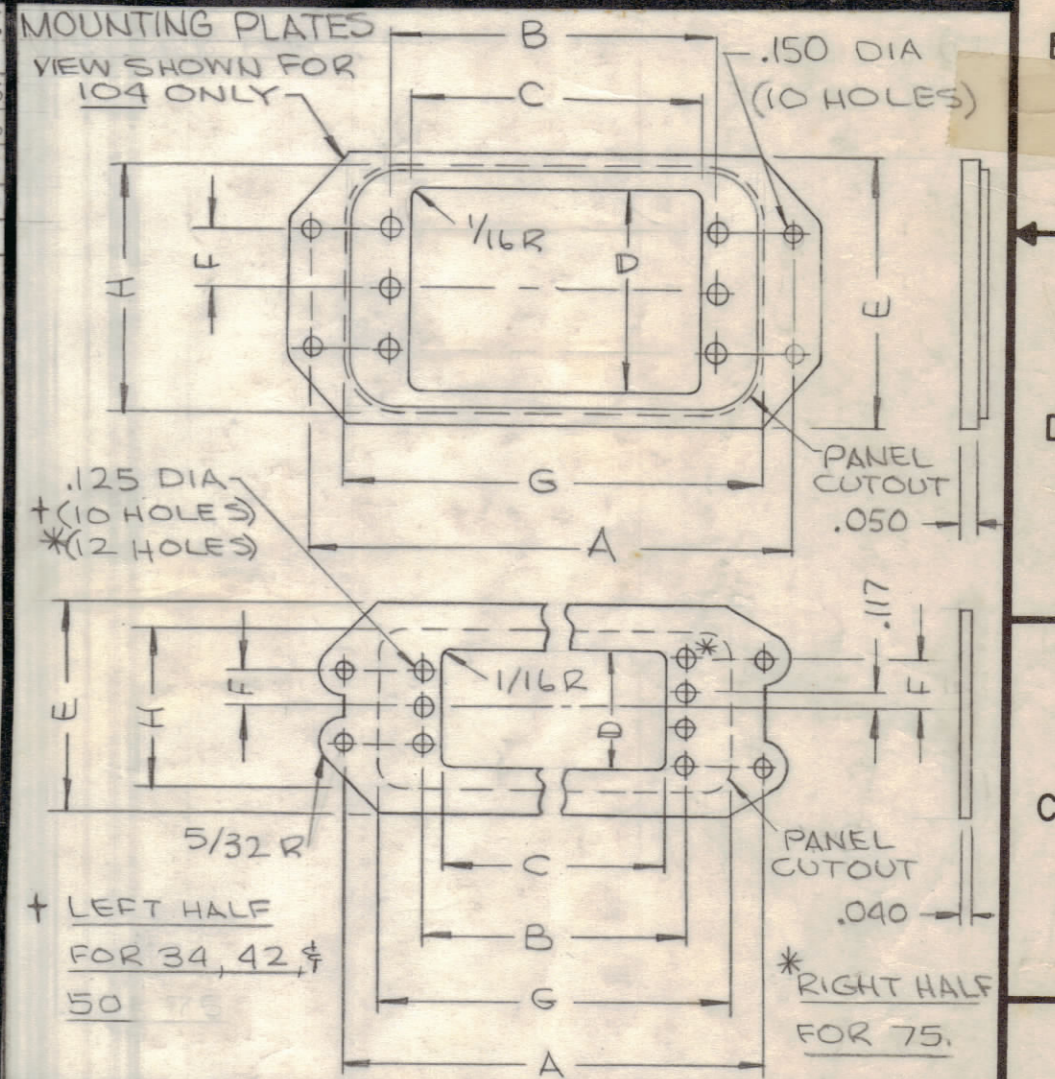


CONTACT	MOUNTING PLATE DIMENSIONS							WT. OZ.
	A	B	C	D	E	F	G PNL	
34	2-45/64	1.687	1-7/16	3/4	1-21/64	.234	2-7/64	0.15
42	3-1/64	2.000	1-3/4	3/4	1-21/64	.234	2-37/64	0.16
50	3-27/64	2.281	2-1/32	3/4	1-29/64	.234	2-63/64	0.18
75	3-27/64	2.281	2-1/32	1-51/64	1-51/64	.383	2-63/64	0.19
104	3-1/2	2.375	2-1/8	1-3/4	2.0	.437	3-1/32	0.19

SPECIFICATIONS

NO. OF CONTACTS: 34, 42, 50, 75, 104
 CONTACT DATA:
 TYPE: MALE OR FEMALE
 STYLE: ROUND, REMOVABLE CRIMP
 PIN DIA ACCEPTED: STANDARD .040 OR .060
 WIRE SIZE: 14 AWG TO 26 AWG
 MATERIAL:
 DIELECTRIC: DIALLYL PHTHALATE
 ENCLOSING: OPEN, SHELL OR HOOD PER P/N
 SHELL & HOOD MATERIAL:
 POLARIZATION: GUIDES
 LOCKING: SCREWLOCK IF REQ
 CABLE ACCOMODATIONS:
 SIZE: OPTIONAL
 CLAMP: HOOD TYPE ONLY, STYLE OPTIONAL

NOTE: CONTACTS NOT SUPPLIED WITH CONNECTOR
 SEE TMC PART NUMBER PN 123



"A" DIMENSIONS				
34	42	50	75	104
37/64	17/32	17/32	33/64	33/64

1. FIXED & SHORT TURNING SCREWLOCKS USED ONLY W/O HOOD
2. LONG TURNING SCREWLOCKS USED W/HOOD

TMC PART No. SHALL BE IN THE FOLLOWING FORM:
 JJ333-104 P FS 23 XXX NO. OF CONTACTS

BASIC TMC P/N
 No. OF HOLES

BLOCK TYPE
 P=MALE
 S=FEMALE

TYPE LOCK
 GP-GUIDE PIN
 FS-FIXED SCREWLOCK
 RS-ROTATING SCREWLOCK

ACCESSORIES
 1-HOOD
 2-SHELL PLUG
 3-SHELL RECEPTACLE
 4-MOUNTING PLATE
 (COMBINE NUMBERS IN ORDER SHOWN, IF REQ)

S401-441 (XAC SERIES)
 S401-340 (EA500 SERIES)

MODELS U/O
 MMX-1, VOX-7

MAXIMUM ALLOWABLE TOLERANCES HAVE BEEN DETERMINED AND ANY DEVIATIONS WILL BE CAUSE FOR REJECTION.

UNLESS OTHERWISE SPECIFIED DIMENSIONS ARE IN INCHES TOLERANCES ON FRACTIONS DECIMALS ANGLES	
±1/64	±.005 ±1/2°
MATERIAL	SEE NOTES
FINISH	//

QTY REQ	ITEM	PART NO.	DESCRIPTION	SYMBOL
M/L	ARLEIN	12/28/66	BILL OF MATERIAL	
	FINAL APPROVAL	DATE	THE TECHNICAL MATERIEL CORP. MAMARONECK, NEW YORK	
	MECH. DES.	DATE	CONNECTOR, RECEPTACLE, ELEC REMOVABLE CONTACT	
	ELECT. DES.	DATE		
	CHECKED	DATE		
	DRAWN	DATE		
	APPROVED FOR BUSHIPS		CODE	SIZE DWG. NO. ISSUE
	CONTRACT NO.		82679 C	JJ333 A
			SCALE	SHEET OF