

THE CONTENTS OF THIS DRAWING ARE THE EXCLUSIVE PROPERTY OF THE TECHNICAL MATERIEL CORP. ITS UNAUTHORIZED USE OR REPRODUCTION IN WHOLE OR IN PART IS STRICTLY FORBIDDEN.

REQ. PER UNIT

1

USED ON

MODEL

GPT-40K-10K

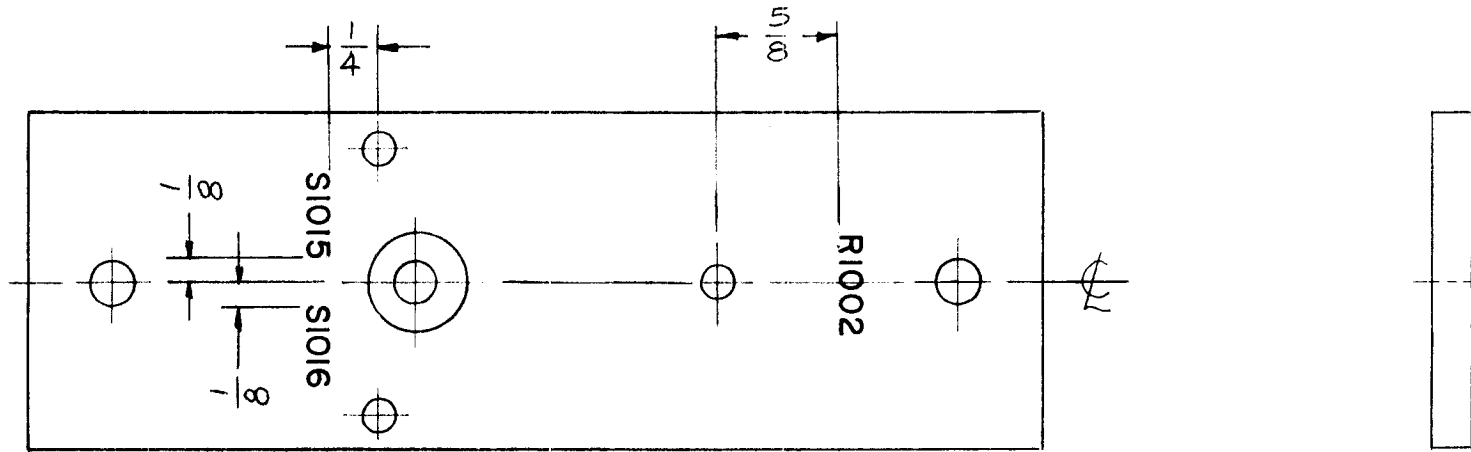
ASS'Y. NO.

AX-113

DATE

11-9-61

LD-1006



MARKING PROCESS: AS PER TMC SPEC 5-727.
 LETTERING TO BE $\frac{1}{8}$ HIGH
 WHITE GOTHIC.

REF: PX-638(1)

REQ.	ITEM	PART NO.	DESCRIPTION			SYMBOL
			THE TECHNICAL MATERIEL CORP.			
			MAMARONECK, NEW YORK			
			LETTERING, BOARD,			
			SWITCH MTG.			
			MATERIAL			
			ab	RJZZO	⊙ B	
			TYPE & TEMPER	HEATTREAT. SPEC.	DRAWN	CHECKED
					Ⓟ	aa
			FINISH & SPEC. NO.		ELEC. DES. APP.	MECH. DES. APP.
						LD-1006