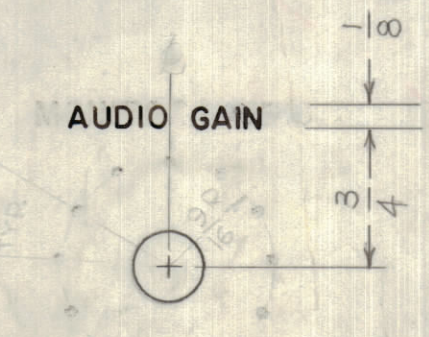
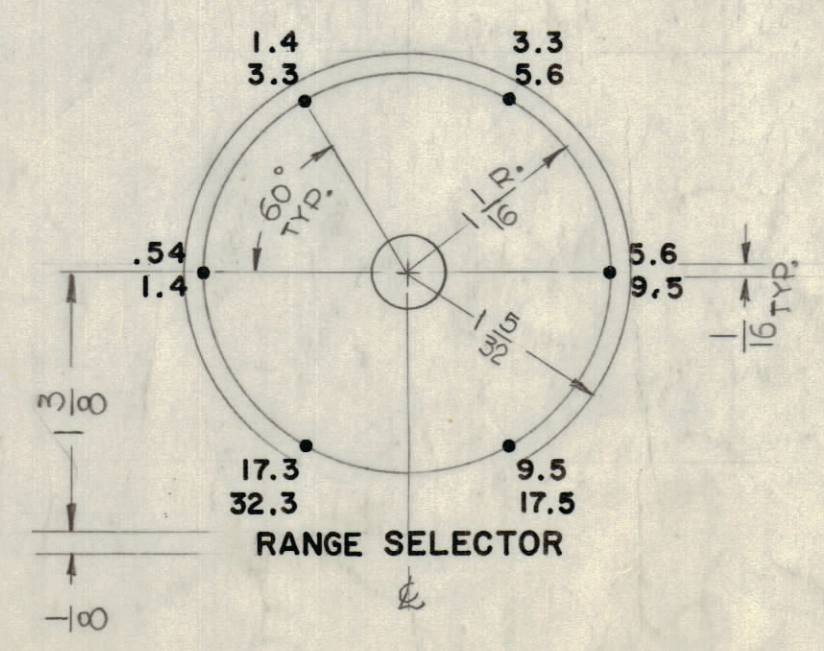
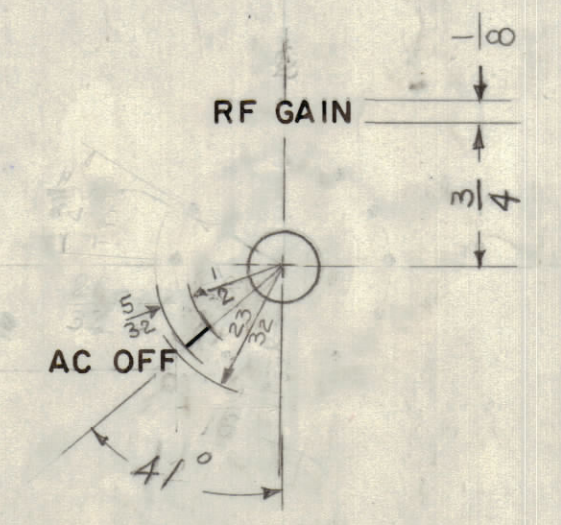
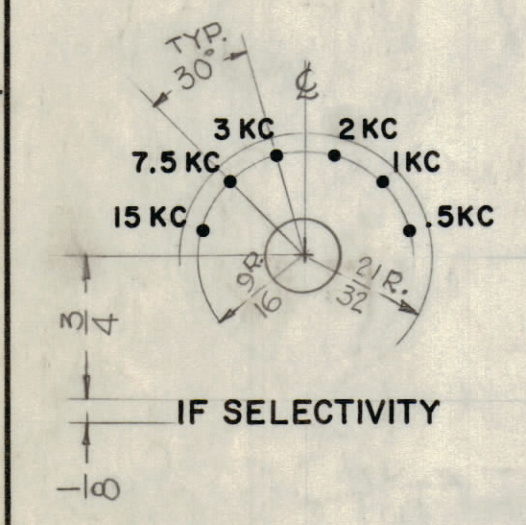
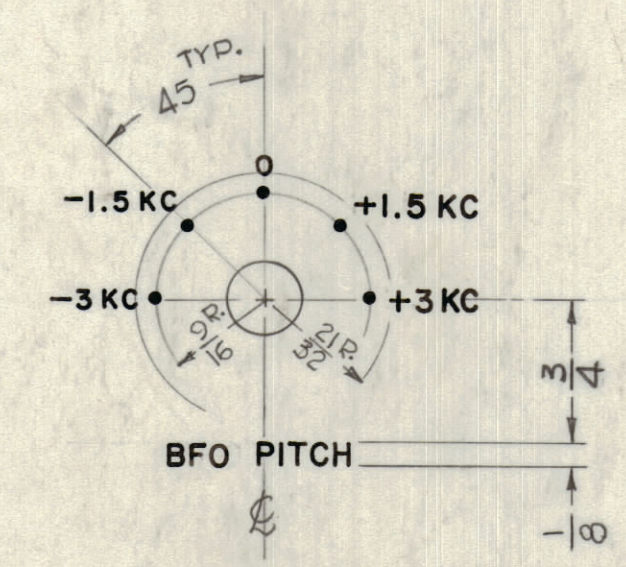
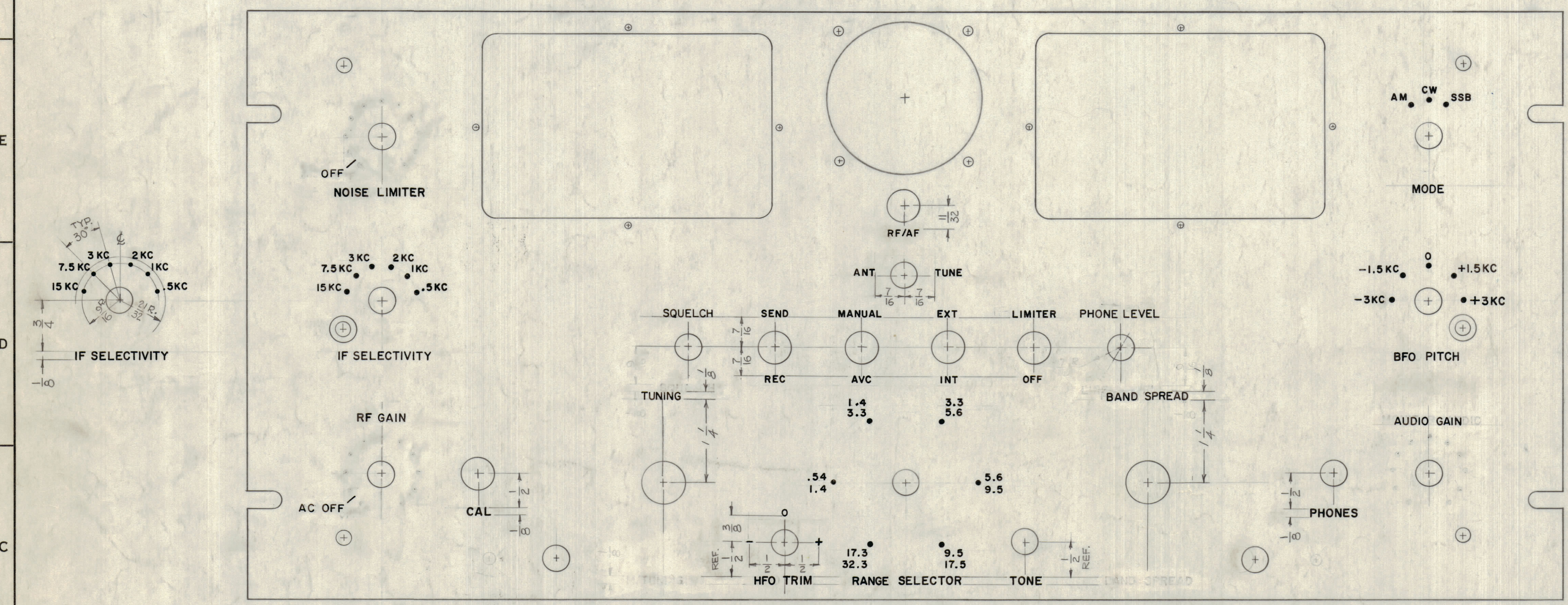
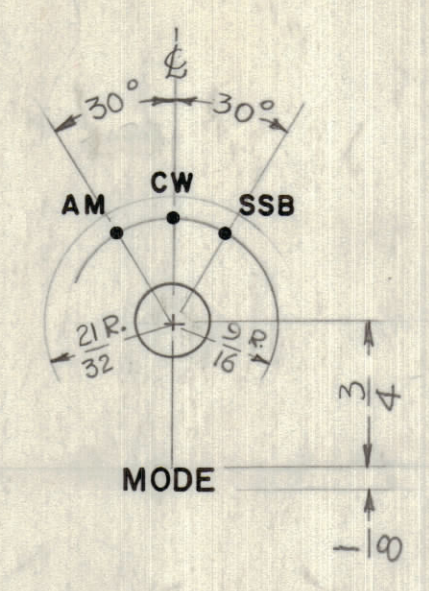
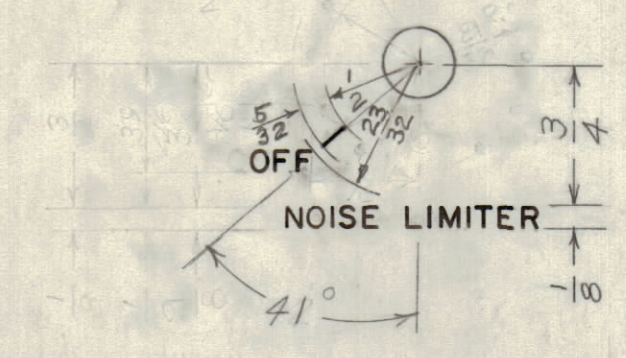


REVISIONS						
ZONE	SYM	DESCRIPTION	DATE	E.M.N. NO.	DRAFT	CHKD
C2	A	WORD "TUNING" RELOCATED TO 4 OF HOLE ABOVE	3-12-63	8529	REC	FW
	B	SEE EMN # 10922 FOR CHANGES	2/19/64	10922	AM	FW



- UNLESS OTHERWISE SPECIFIED —
- 1- ENGRAVING TO BE 3/32 HIGH WHITE GOTHIC FILLED UNLESS OTHERWISE SPECIFIED
  - 2- ALL LETTER GROUPS TO BE CENTERED ON HOLES.
  - 3- ALL DOTS, LINES & LETTERINGS TO BE WHITE FILLED.
  - 4- ALL LETTERING TO BE WHITE FILLED.
  - 5- ALL LINES TO BE WHITE FILLED.

LETTER HEIGHT	DEPTH OF STROKE	WIDTH OF STROKE
3/32	.010	.015
1/8	.010	.020
DOTS	.010	1/16 DIA.
LINES	.010	.015

REF: M5-2903

REQ'D.	ITEM	PART NUMBER	DESCRIPTION	SYMBOL
	STRUMER		LIST OF MATERIAL	
MATERIAL				
THE TECHNICAL MATERIEL CORP. MAMARONECK, NEW YORK				
FINISH				
TITLE ENGRAVING & LETTERING, FRONT PANEL				
QTY/UNIT	SCALE	MODEL USED ON	DATE	FINAL APPROVAL
	A	GPR-92	11-19-62	BP
UNLESS OTHERWISE SPECIFIED DIMENSIONS ARE IN INCHES AND INCLUDE CHEMICALLY APPLIED OR PLATED FINISHES				
DECIMALS	FRACTIONS	ANGLES	DATE	DATE
.X ± .05	± 1/64	± 30'	12-18-62	12-18-62
.XX ± .01	± 1/32	± 30'		
.XXX ± .005	± 1/128	± 30'		
TOLERANCES				
SHEET 1 of 2				
				LD-1058
				B
				REV. LTR.

NOTES

QTY/UNIT	SCALE	MODEL USED ON	DATE	FINAL APPROVAL
	A	GPR-92	11-19-62	BP

THE CONTENTS OF THIS DRAWING ARE THE EXCLUSIVE PROPERTY OF THE TECHNICAL MATERIEL CORP. ITS UNAUTHORIZED USE OR REPRODUCTION IN WHOLE OR IN PART IS STRICTLY FORBIDDEN.

UNLESS OTHERWISE SPECIFIED DIMENSIONS ARE IN INCHES AND INCLUDE CHEMICALLY APPLIED OR PLATED FINISHES

LD-1058 B