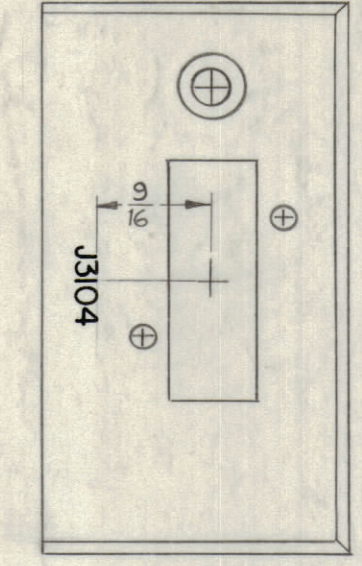
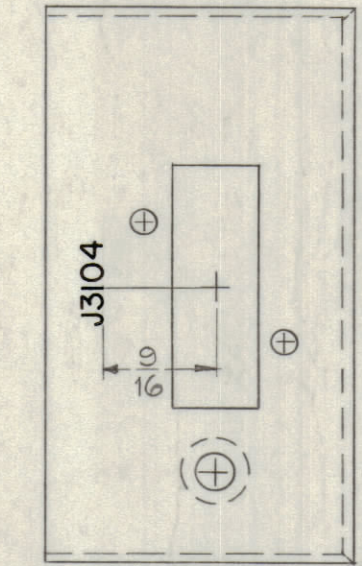


LIP REMOVED TO SHOW LETTERING.

~ UNLESS OTHERWISE SPECIFIED ~  
 1/8 HIGH BLACK LUSTERLESS, GOTHIC LETTERING.  
 MARKING PROCESS: AS PER TMC SPECIFICATION S-727  
 ALL LETTERING TO BE CENTERED ON HOLES.



SECTION A-A



SECTION B-B

NOTICE TO PERSONS RECEIVING THIS DRAWING

THE TECHNICAL MATERIEL CORPORATION claims proprietary right in the material disclosed herein. This drawing is issued in confidence for engineering information only and may not be reproduced or used to manufacture anything shown herein without permission from THE TECHNICAL MATERIEL CORPORATION. This drawing is loaned for mutual assistance and is subject to recall at any time.

Property of:  
 THE TECHNICAL MATERIEL CORPORATION  
 MAMARONECK, NEW YORK

REF: MS-2889 (B).

ADD. 1 & 2 TO L3101 & 1, 2, 3, 4 TO T3101	8-18-66	16706	RME			
SYM ZONE	DATE	CH. NO.	DRAFTS	CHECKER	ENG. APP.	
UNLESS OTHERWISE SPECIFIED:			SCALE			
DIMENSIONS ARE IN INCHES			MAXIMUM ALLOWABLE TOLERANCES HAVE BEEN DETERMINED AND ANY DEVIATIONS WILL BE CAUSE FOR REJECTION. REMOVE ALL BURRS & SHARP EDGES			
TOLERANCES ON FRACTIONS ± 1/64			DECIMALS ± .005		ANGLES ± 1/2°	

1	HFS-1	3100		8-17-62
REQ. PER UNIT	MODEL	SECTION	ASS'Y. NO.	DATE
USED ON				

REQ. ITEM	PART NO.	J. STRUMMER	DESCRIPTION	SYMBOL
STOCK SIZE		THE TECHNICAL MATERIEL CORP. MAMARONECK, NEW YORK		
MATERIAL		LETTERING CHASSIS 3100 DECK		
TYPE & TEMPER		HEAT TREAT. SPEC.		
FINISH & SPEC. NO.		ELEC. DES. APP. MECH. DES. APP. SHEET OF		
		LD-1068 A.		

LD-1068 A