

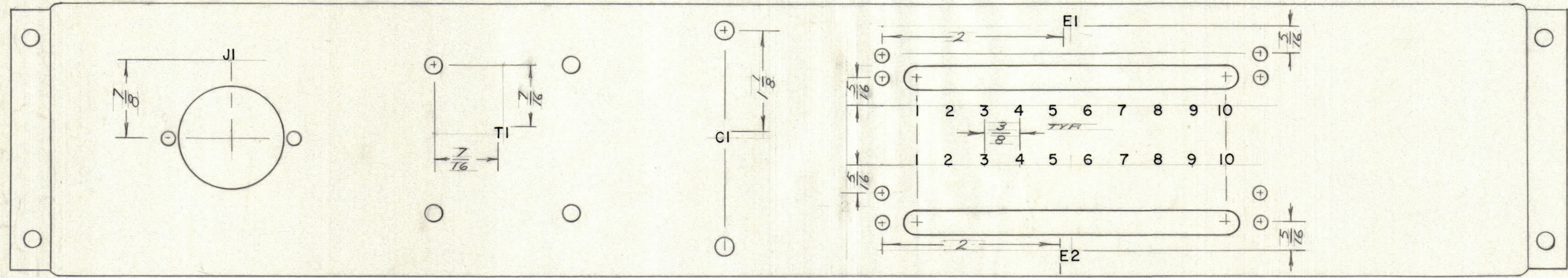
IF IT IS FOUND DESIRABLE TO CHANGE ANY TOLERANCE OR OTHER DETAIL SPECIFIED ON THIS DRAWING NOTIFY THE PURCHASER PROMPTLY.

DIMENSIONS IN INCHES UNLESS OTHERWISE SPECIFIED

MAXIMUM ALLOWABLE TOLERANCES HAVE BEEN DETERMINED AND DEVIATIONS WILL BE CAUSE FOR REJECTION. REMOVE ALL BURRS AND SHARP EDGES.

ISSUE	ITEM	CHANGED FROM	DATE	CN. NO.	DRAFTS	CHECKER	ENG. APP.

REQ.	ITEM	PART NO.	DESCRIPTION	SYMBOL



LD10180 0

LETTERING: 1/8 HIGH, BLACK GOTHIC, LOCATED AS SHOWN AS PER TMC SPECIFICATION S-727

REF: MS10575

TOLERANCES	SCALE:
ALL OTHERS DEC. DIM. ± FRAC. DIM. ± ANGULAR DIM. ±	DRILL, PUNCH, COMMERCIAL STOCK SIZES AND MANUFACTURERS TOLERANCES ARE NOT INCLUDED.

MODEL	PROJECT NO.	ASS'Y. NO.	DATE
		A 10352	21-8-64

STOCK SIZE		TMC (Canada) LIMITED OTTAWA ONTARIO	
		STAMPING WRAPAROUND	
MATERIAL	WEIGHT PER PC.	MONITORING UNIT	
		RD	
TYPE & TEMPER		DRAWN	MECH. DES. APP.
HEAT TREAT. SPEC.		CHECKED	FINAL APPROVAL
FINISH & SPEC. NO.		LD10180 0	