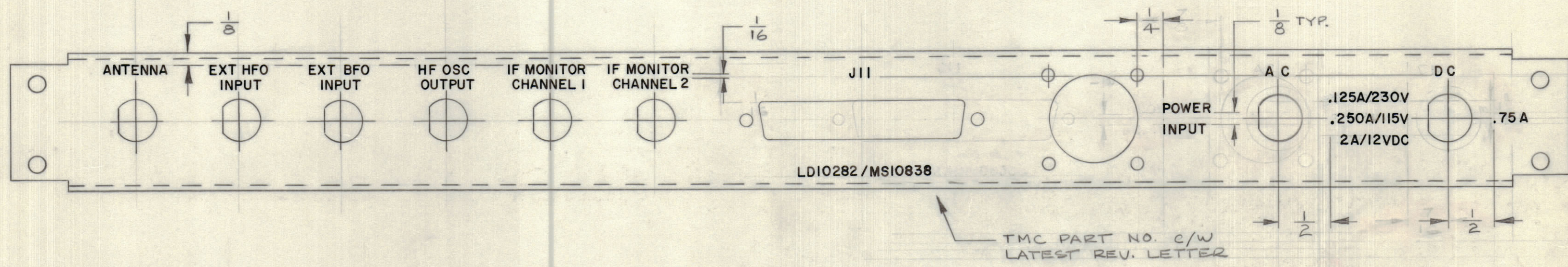


IF IT IS FOUND DESIRABLE TO CHANGE ANY TOLERANCE OR OTHER DETAIL SPECIFIED ON THIS DRAWING NOTIFY THE PURCHASER PROMPTLY.		DIMENSIONS IN INCHES UNLESS OTHERWISE SPECIFIED					
MAXIMUM ALLOWABLE TOLERANCES HAVE BEEN DETERMINED AND DEVIATIONS WILL BE CAUSE FOR REJECTION. REMOVE ALL BURNS AND SHARP EDGES.							
ISSUE	ITEM	CHANGED FROM	DATE	CN. NO.	DRAFTS	CHECKER	ENG. APP.
Ø		REL TO PROD	FEB 6/68		AD	J	[Signature]
A		REV. AS PER CEMN	MAR 12/68	348	RPL	J	[Signature]

REG.	ITEM	PART NO.	DESCRIPTION	SYMBOL
------	------	----------	-------------	--------



LD10282 A

MARKING PROCESS: AS PER TMC SPECIFICATION S-727.
 LETTERING: 3/32 HIGH BLACK GOTHIC, LOCATED AS SHOWN.

REF: MS10838

TOLERANCES			SCALE: 1:1
ALL OTHERS	DEC. DIM. ± 1/64	.XX*.01	DRILL, PUNCH, COMMERCIAL STOCK SIZES AND MANUFACTURERS TOLERANCES ARE NOT INCLUDED.
	ANGULAR DIM. ± 0° 30'	.XXX*.005	

STR-5	062/68	NOV 30/67
MODEL	PROJECT NO.	DATE

STOCK SIZE		TMC (Canada) LIMITED OTTAWA ONTARIO	
MATERIAL		PLATE, REAR (LETTERING)	
TYPE & TEMPER		RPL	[Signature]
HEAT TREAT. SPEC.		DRAWN	ELEC. DES. APP. [Signature]
FINISH & SPEC. NO.		CHECKED	MECH. DES. APP. [Signature]
		FINAL APPROVAL	
		LD10282 A	