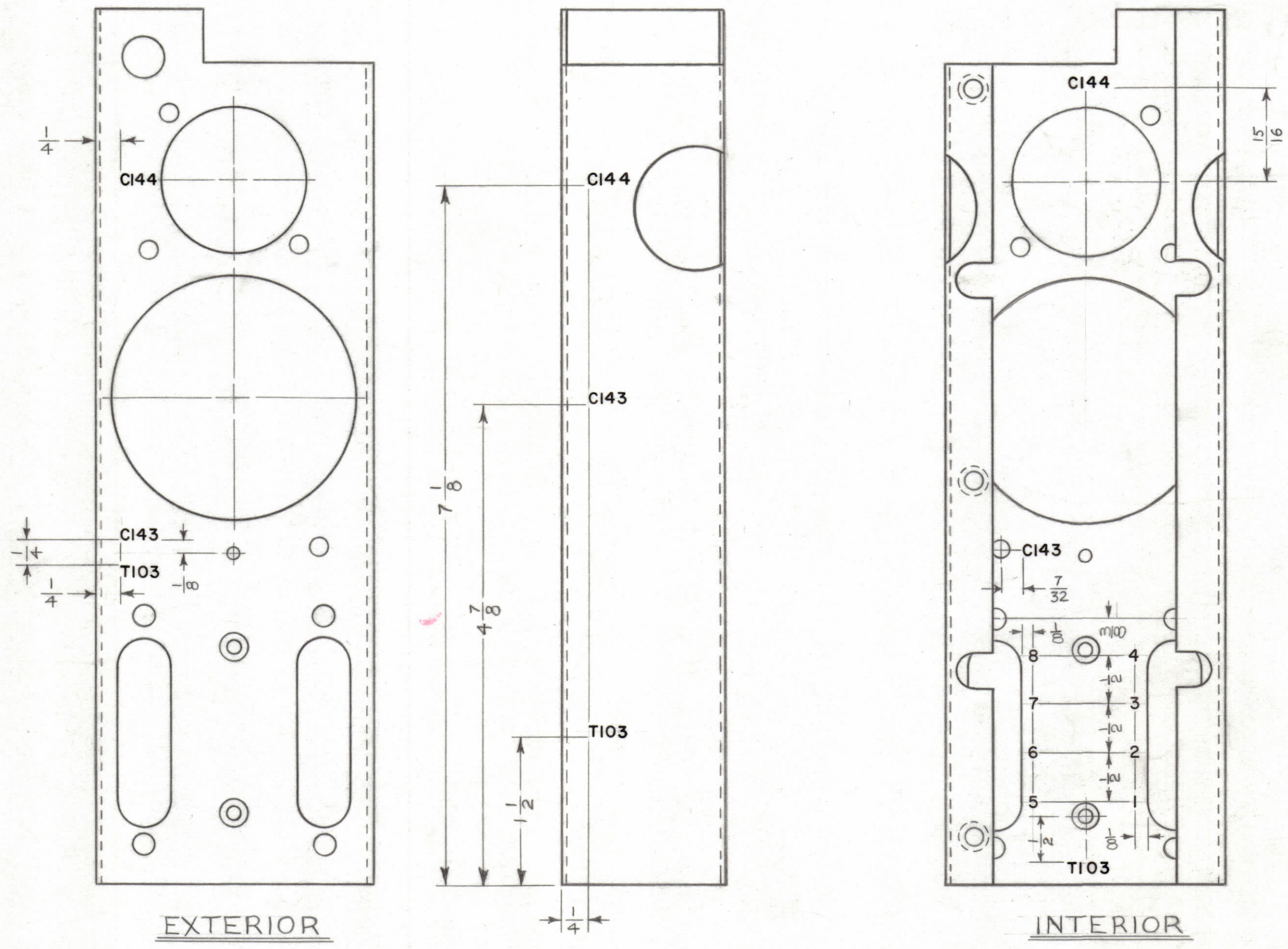


REVISIONS							
ZONE	SYM	DESCRIPTION	DATE	E.M.N. NO.	DRAFT	CHKD	APPD
C,D3	A	ON INTERIOR VIEW, ADDED TRANSF. TERM. No's	7-2-63	9421			



- NOTES:
1. ALL LETTERING TO BE 1/8 HIGH, STROKE .020 WIDTH, BLACK LUSTERLESS, GOTHIC.
  2. ALL LETTER GROUPS TO BE CENTERED ON HOLES.
  3. MARKING PROCESS AS PER TMC SPECIFICATION S-727.

REF: DWG MS-2938

I		TRX-1			
Q'TY./UNIT	MODEL USED ON	ASS'Y. NO.			
SCALE	CODE				
FULL					
THE CONTENTS OF THIS DRAWING ARE THE EXCLUSIVE PROPERTY OF THE TECHNICAL MATERIEL CORP. ITS UNAUTHORIZED USE OR REPRODUCTION IN WHOLE OR IN PART IS STRICTLY FORBIDDEN.					

REQ'D.	ITEM	PART NUMBER	DESCRIPTION	SYMBOL
J. STRUMER LIST OF MATERIAL				
MATERIAL		THE TECHNICAL MATERIEL CORP. MAMARONECK, NEW YORK		
FINISH		TITLE LETTERING POWER SUPPLY CHASSIS		
DRAWN		DATE	FINAL APPROVAL	
CHECKED		DATE	DATE	
ELECT. DES.		DATE	DATE	
MECH. DES.		DATE	DATE	
TOLERANCES		DECIMALS: .X ± .05, .XX ± .01, .XXX ± .005		
FRACTIONS		± 1/64, ± 1/32, ± 1/16, ± 1/8, ± 3/16, ± 1/4, ± 3/8, ± 1/2, ± 5/8, ± 3/4, ± 7/8, ± 1.0		
ANGLES		± 0° 30'		
SHEET		REV. LTR.		

NOTES

LD-1130  
A