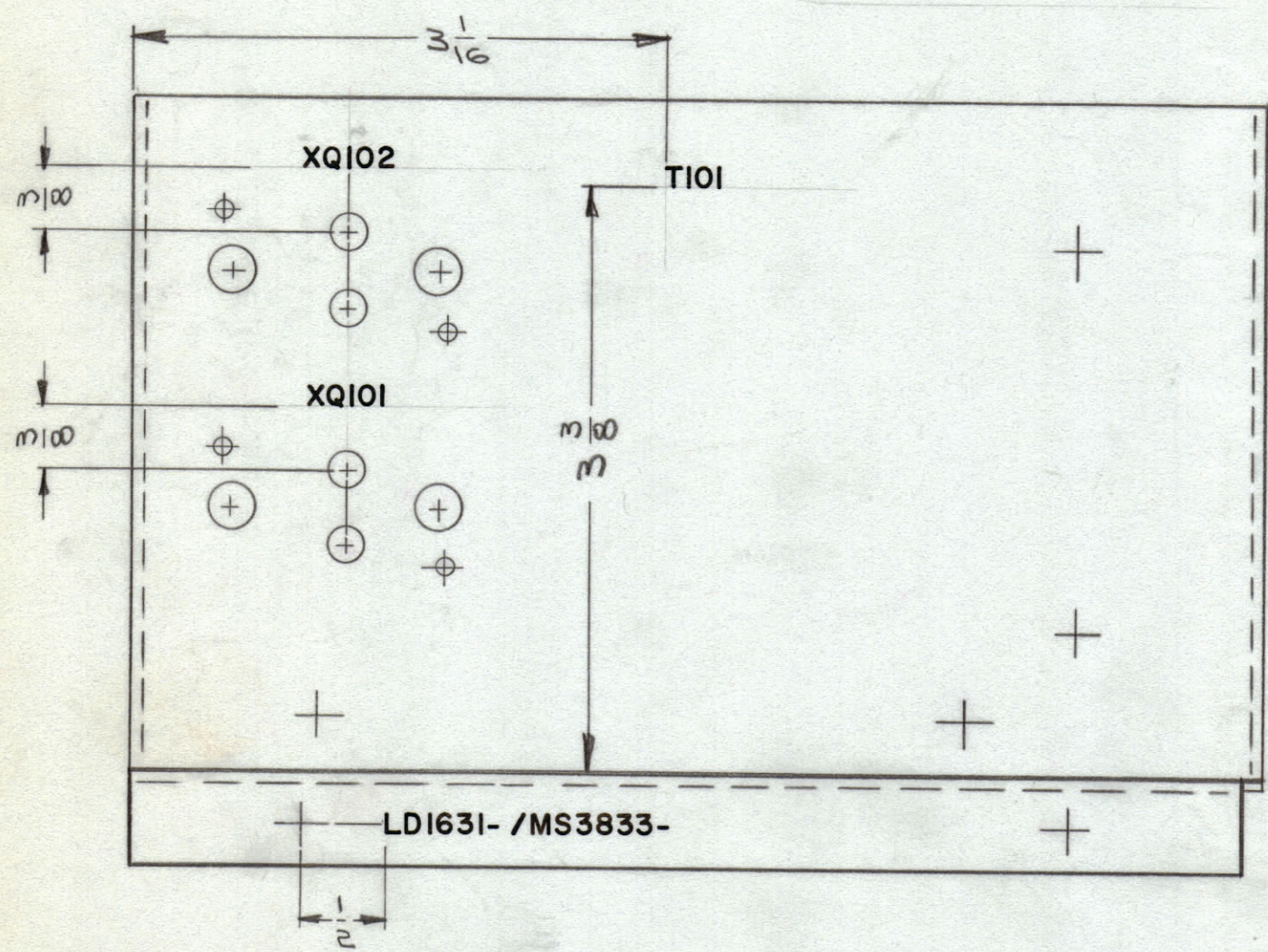
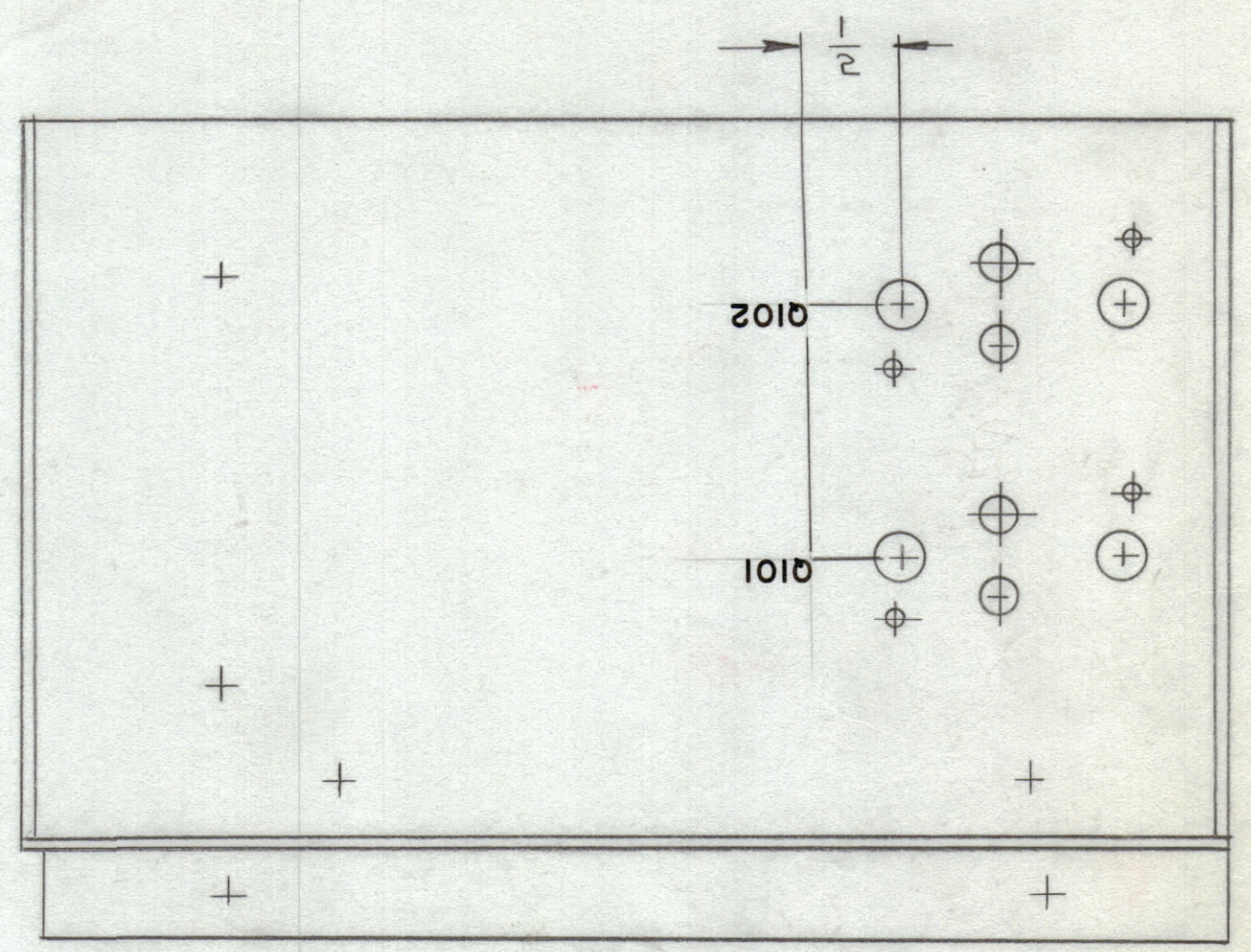
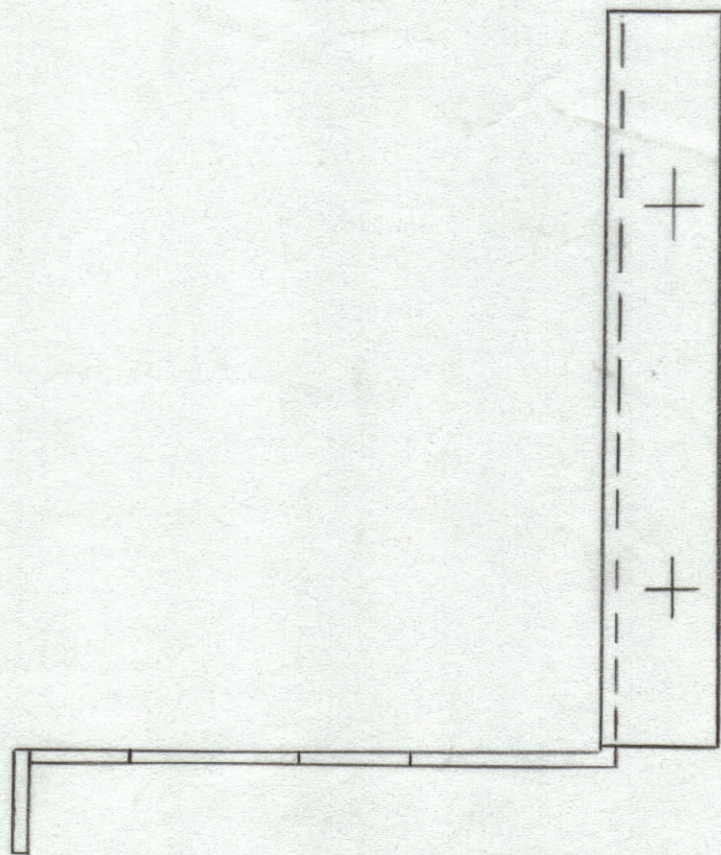


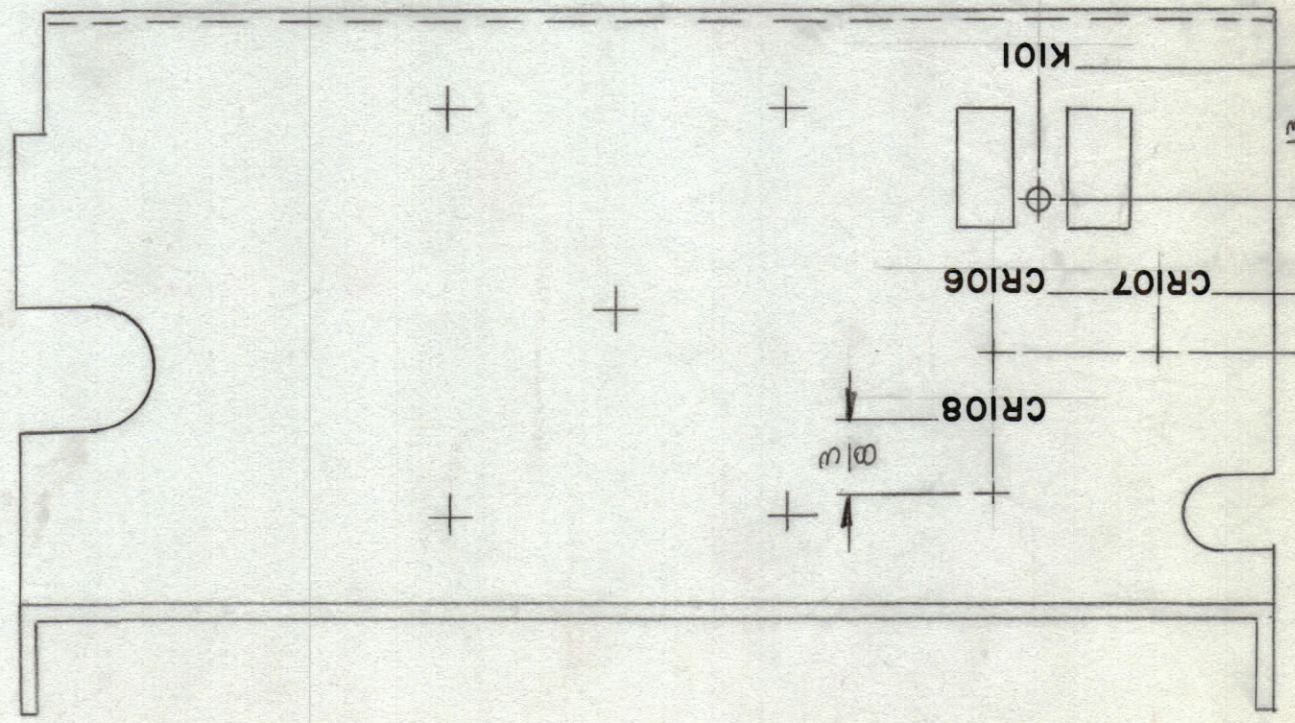
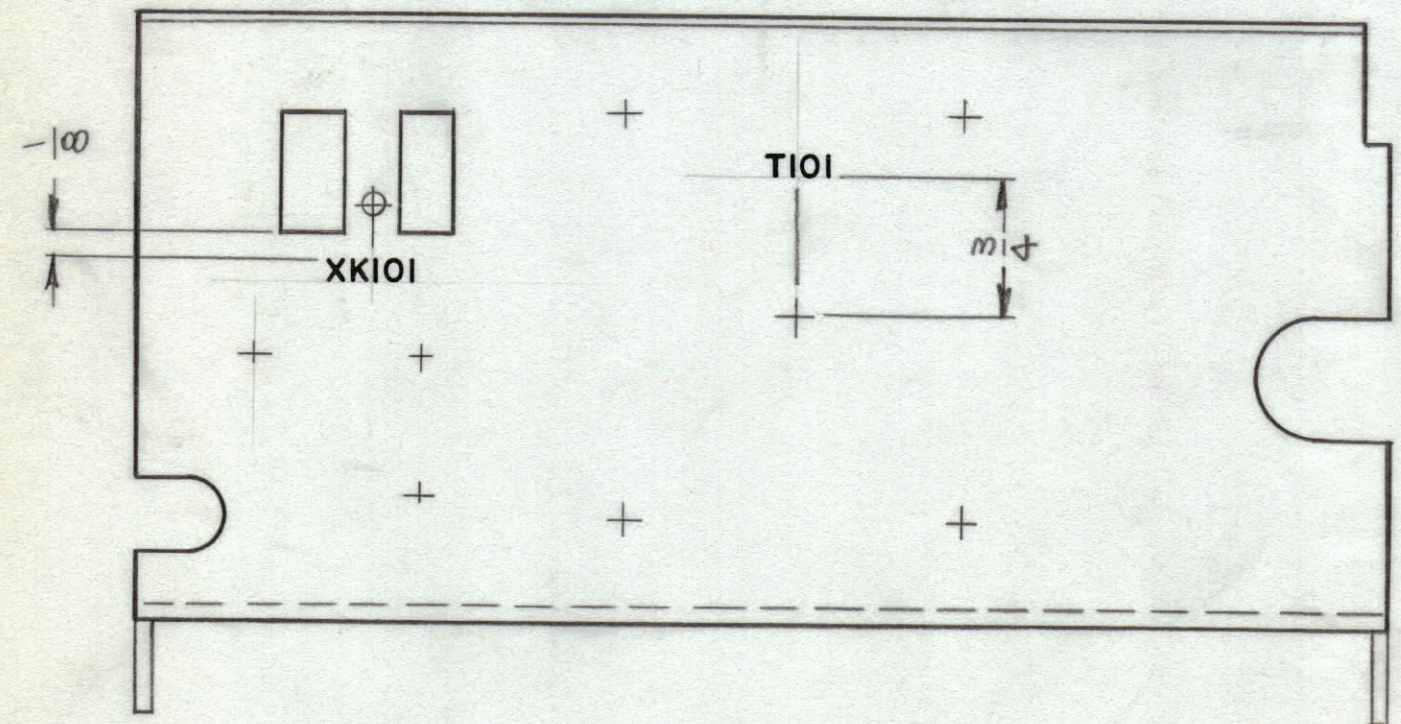
REVISIONS							
ZONE	SYM	DESCRIPTION	DATE	E.M.N. NO.	DRAFT	CHKD	APPD
#	X	EXPER. RELEASE	10-12-64	X	<i>[Signature]</i>	<i>[Signature]</i>	<i>[Signature]</i>
#	Ø	ORIGINAL RELEASE FOR PRODUCTION	10-20-64	Ø	<i>[Signature]</i>	<i>[Signature]</i>	<i>[Signature]</i>



- FRONT VIEW -



- REAR VIEW -



- 1- MARK TMC PART No. WITH LATEST REVISION LETTERS
- 2- MARKING PROCESS: AS PER TMC SPECIFICATION S-727.
- 3- LETTERING: 1/8 HIGH BLACK GOTHIC, LOCATED AS SHOWN.

NOTES

1	PFCB-1	
Q'TY./UNIT	MODEL USED ON	ASS'Y. NO.
SCALE	CODE	
1:1	A	

THE CONTENTS OF THIS DRAWING ARE THE EXCLUSIVE PROPERTY OF THE TECHNICAL MATERIEL CORP. ITS UNAUTHORIZED USE OR REPRODUCTION IN WHOLE OR IN PART IS STRICTLY FORBIDDEN.

REF: MS3833

REQ'D.	ITEM	PART NUMBER	DESCRIPTION	SYMBOL
	GELLMAN		LIST OF MATERIAL	
MATERIAL		THE TECHNICAL MATERIEL CORP. MAMARONECK, NEW YORK		
FINISH		TITLE MARKING, CHASSIS, ELEC., MAIN-POWER SUPPLY MARKING PROCESS: PER TMC SPEC 5727		
UNLESS OTHERWISE SPECIFIED DIMENSIONS ARE IN INCHES AND INCLUDE CHEMICALLY APPLIED OR PLATED FINISHES		DRAWN <i>[Signature]</i>	DATE 10-12-64	FINAL APPROVAL <i>[Signature]</i>
DECIMALS .X ± .05 .XX ± .01 .XXX ± .005		CHECKED <i>[Signature]</i>	DATE 10-21-64	DATE 10-20-64
FRACTIONS ± 1/64 ANGLES ± 0° 30'		ELECT. DES. <i>[Signature]</i>	DATE 10-20-64	DATE 10-20-64
TOLERANCES		MECH. DES. <i>[Signature]</i>	DATE 10-20-64	DATE 10-20-64
			SHEET	REV. LTR.
			LD1631	Ø

LD1631