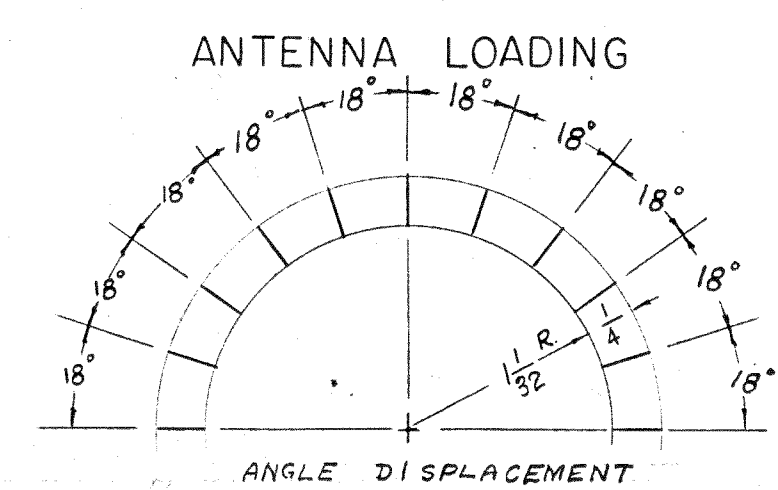
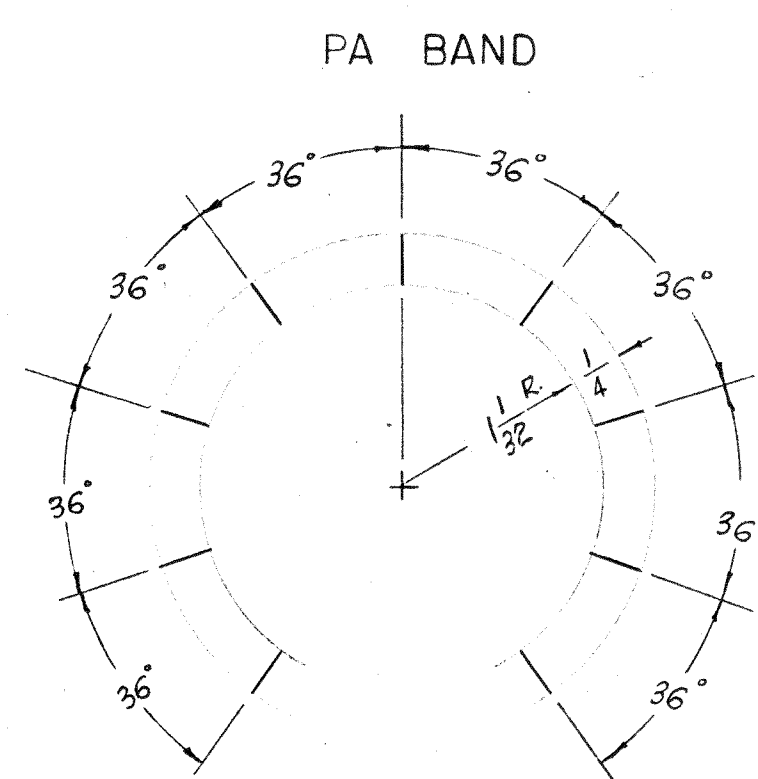
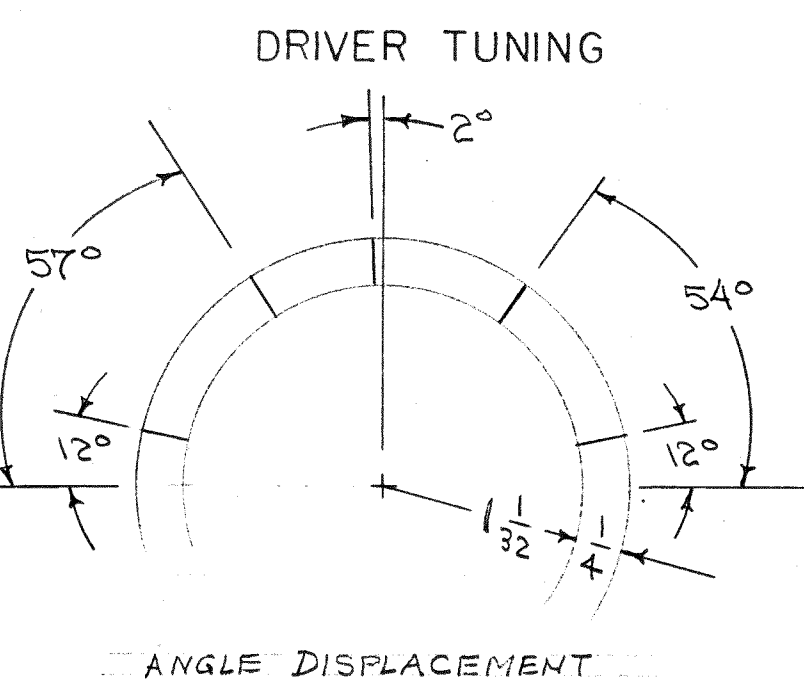
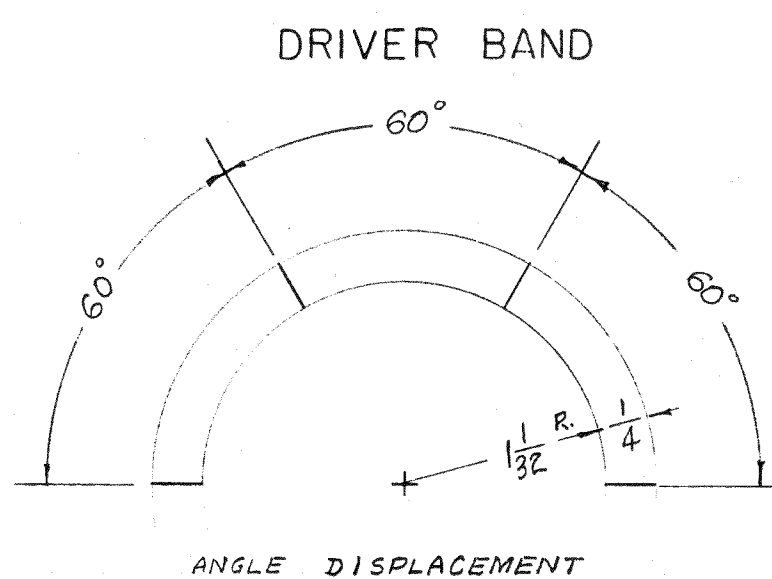
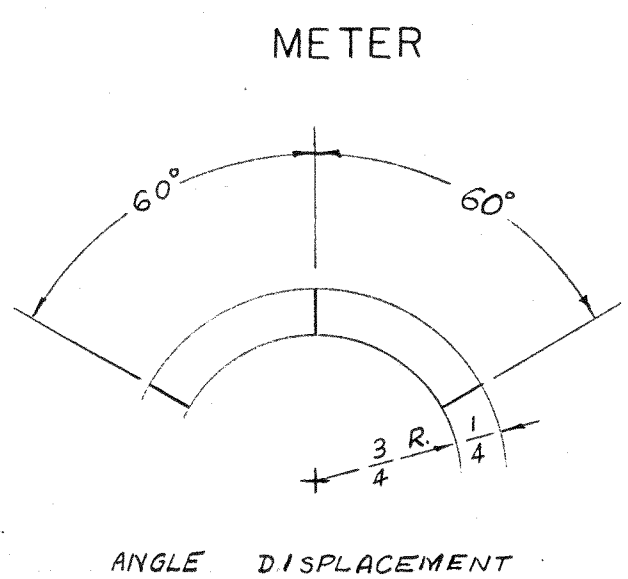
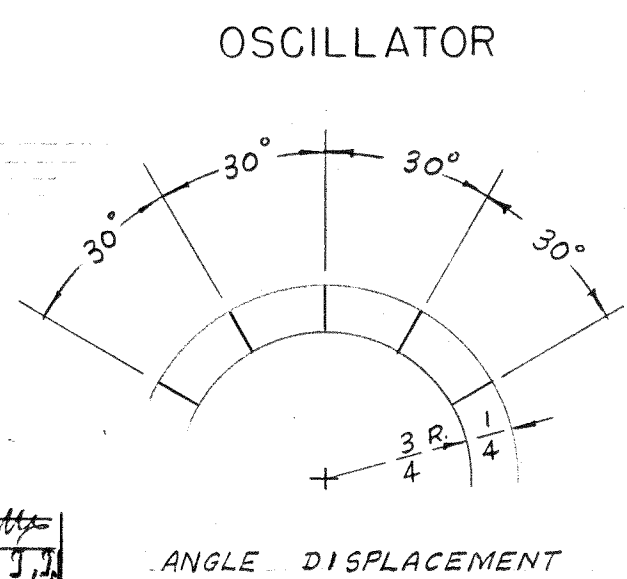
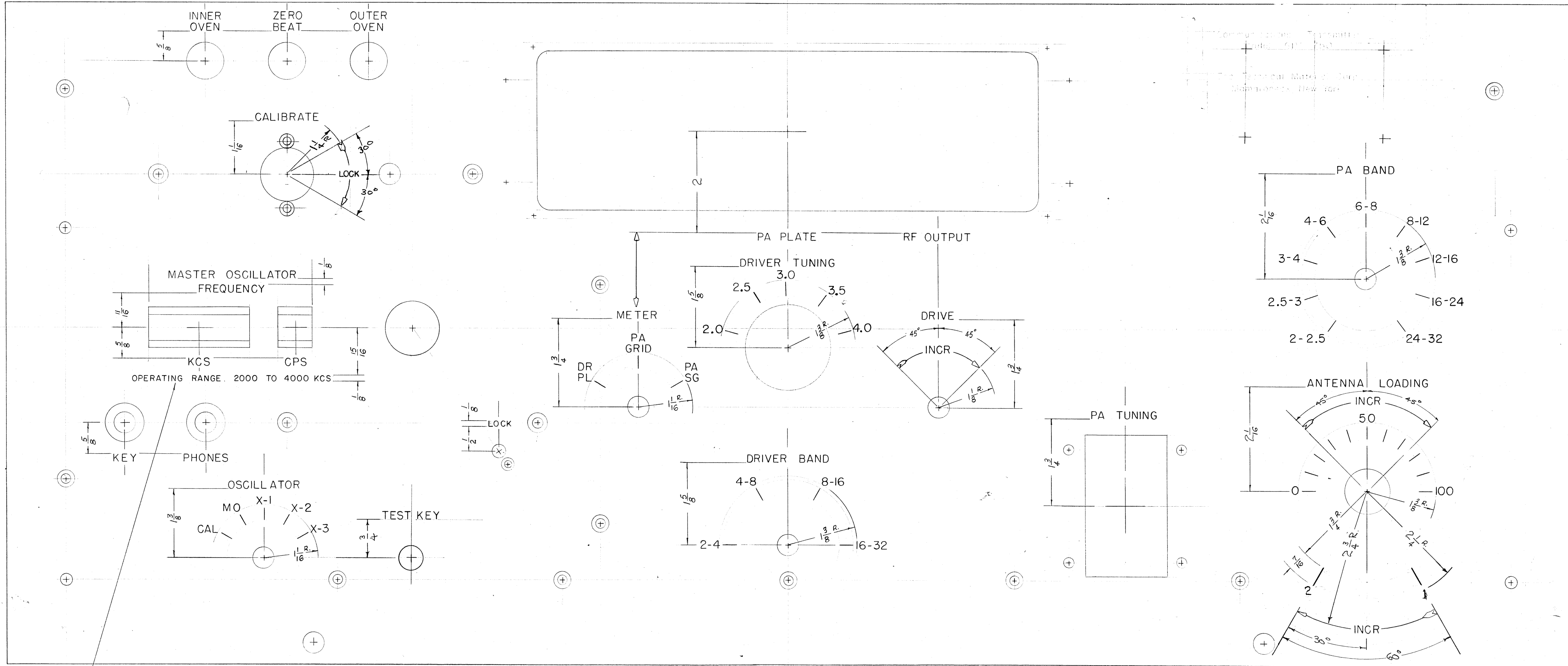


IF IT IS FOUND DESIRABLE TO CHANGE ANY TOLERANCE OR OTHER DETAIL SPECIFIED ON THIS DRAWING NOTIFY THE PURCHASER PROMPTLY.
 MAXIMUM ALLOWABLE TOLERANCES HAVE BEEN DETERMINED AND DEVIATIONS WILL BE CAUSE FOR REJECTION. REMOVE ALL BURRS AND SHARP EDGES.



OPERATING RANGE
2000 TO 4000 KCS,
TO BE RED FILLED

ALL LETTERING HEIGHT 5/32 UNLESS OTHERWISE NOTED.

LETTER HEIGHT	DEPTH OF STROKE	WIDTH OF STROKE
5/32	.010	.020
1/8	.010	.020

WHITE FILLED GOTHIC EXCEPT WHERE OTHERWISE NOTED.

ISSUE	ITEM	CHANGED FROM	DATE	CH. NO.	DRAFTS	CHECKER	ENG. APP.
A	1	NOVEMBER 1945	10/11/45	7	MAJ	W.P.	A.J.J.
F	1	NOVEMBER 1945	9/27/45	6	MAJ	W.P.	A.J.J.
M	2	ANT. LOADING SWITCH CHANGED	8/29/45	5	MAJ	W.P.	A.J.J.
I	1	TEST KEY ADDED	8/14/45	4	MAJ	W.P.	A.J.J.
D	1	Locks Added	6/14/45	3	MAJ	W.P.	A.J.J.
C	1	ANT. LOAD SW. 1+2 REVERSED	3/11/45	2	MAJ	W.P.	A.J.J.
B	2	5/8 WAS 5/16	1-23-40	1	MAJ	W.P.	A.J.J.

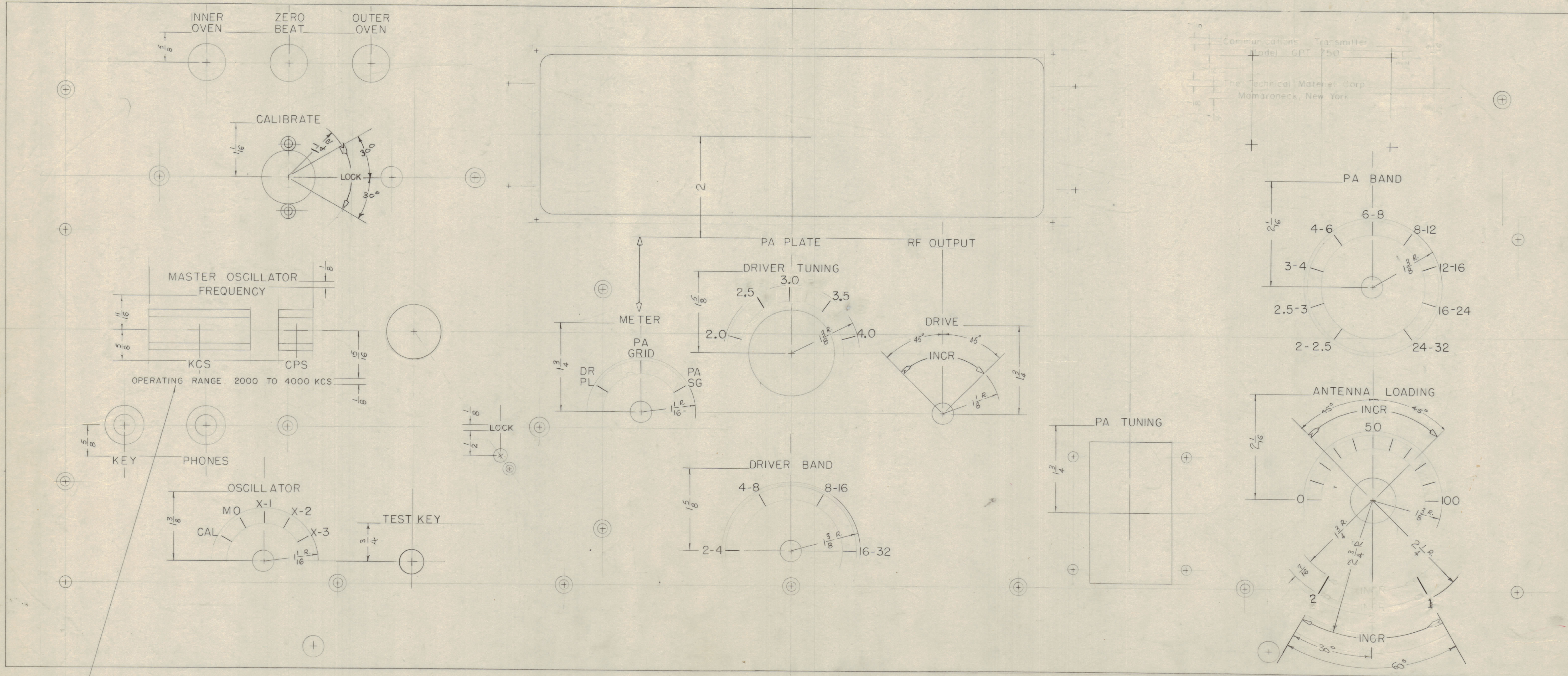
FORM - 111

LD-240 G

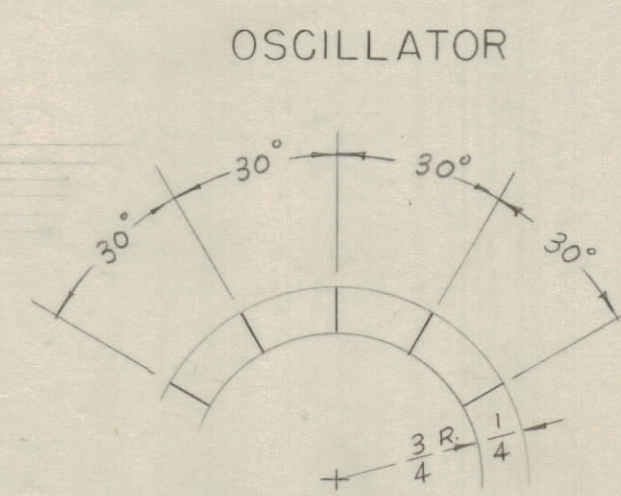
REQ. PER UNIT	MODEL	PROJECT NO.	ASBY. NO.	DATE
1	R.T.F.			

REQ. ITEM	PART NO.	DESCRIPTION	SYMBOL
REF: MS-719			
THE TECHNICAL MATERIEL CORP. MAMARONECK, NEW YORK			
FRONT PANEL ENGRAVING			
MODEL R.T.F.			
TYPE & TEMPER: 1/8 1-4-55 N.Y.P.			
DRAWN: 1-15-46 ELEC. DES. APP. MECH. DES. APP.			
HEAT TREAT. SPEC. CHECKED: A.J.J.			
FINISH & SPEC. NO. REF: MS-719 LD-240 G			

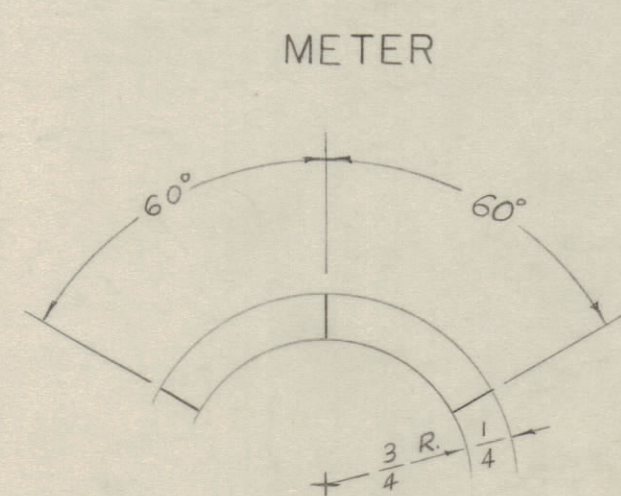
IF IT IS FOUND DESIRABLE TO CHANGE ANY TOLERANCE OR OTHER DETAIL SPECIFIED ON THIS DRAWING NOTIFY THE PURCHASER PROMPTLY.
 MAXIMUM ALLOWABLE TOLERANCES HAVE BEEN DETERMINED AND DEVIATIONS WILL BE CAUSE FOR REJECTION. REMOVE ALL BURRS AND SHARP EDGES.



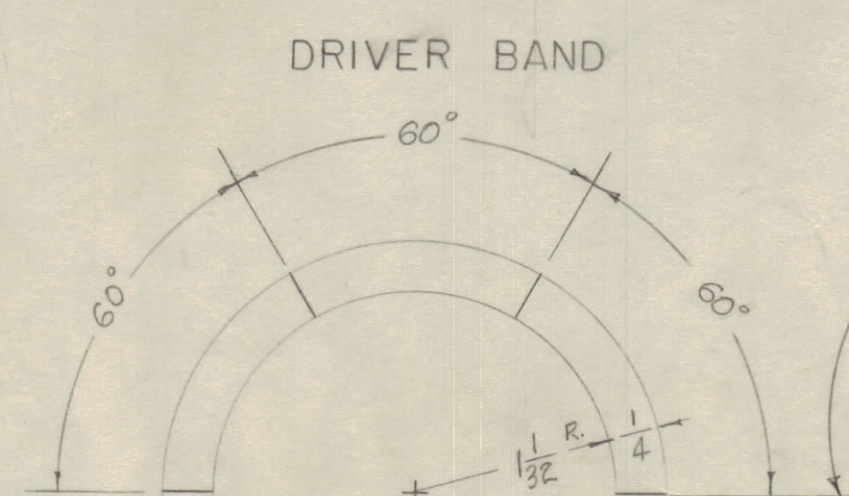
Communications Transmitter
 Model GPT-750
 The Technical Materiel Corp.
 Mamaroneck, New York



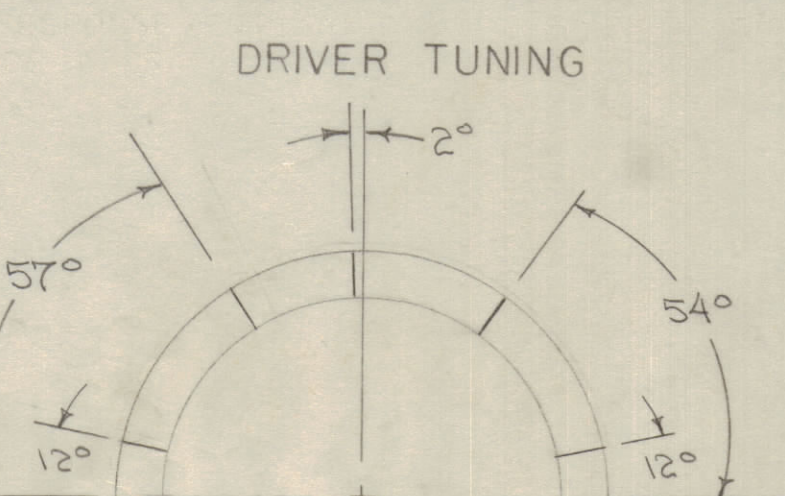
ANGLE DISPLACEMENT



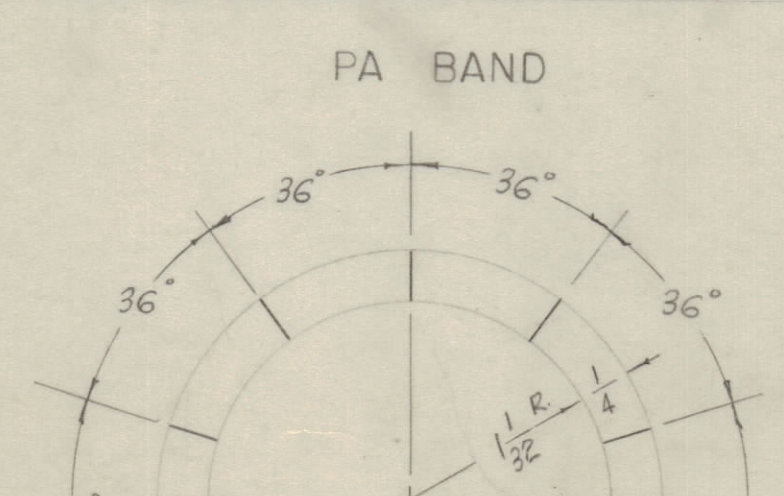
ANGLE DISPLACEMENT



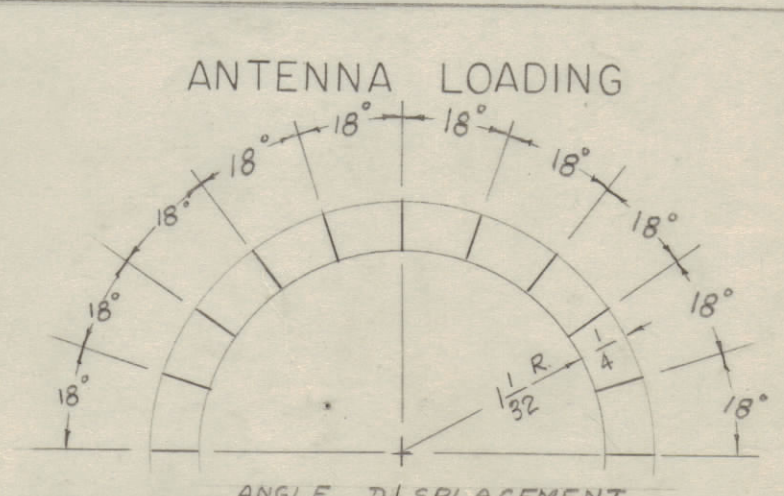
ANGLE DISPLACEMENT



ANGLE DISPLACEMENT



ANGLE DISPLACEMENT



ANGLE DISPLACEMENT

OPERATING RANGE
 2000 TO 4000 KCS,
 TO BE RED FILLED

ALL LETTERING HEIGHT 5/32 UNLESS OTHERWISE NOTED.

LETTER HEIGHT	DEPTH OF STROKE	WIDTH OF STROKE
5/32	.010	.020
1/8	.010	.020

WHITE FILLED GOTHIC EXCEPT WHERE OTHERWISE NOTED.

ISSUE	ITEM	CHANGED FROM	DATE	CN. NO	DRAFTS	CHECKER	ENG. APP.
A	1	Number of Letters Deleted	6/10/54	7	ALL	r	ATT
E	1	ANT. LOADING SWITCH WAS A 3 POS. SW.	9/22/54	5	ALL	W.P.	ATT
E	2	ANT. LOADING SWITCH CHANGED	9/22/54	5	ALL	W.P.	ATT
I	1	TEST KEY ADDED	9/22/54	5	ALL	W.P.	ATT
D	1	Lock	9/22/54	5	ALL	W.P.	ATT
C	1	ANT. LOAD SW. 1+2 REVERSE	2/2/55	3	ALL	W.P.	ATT
B	2	5/8 WAS 3/2	1-23-50	2	ALL	W.P.	ATT
B	1	DRIVER TUNING 25 CHANGED					

TOLERANCES	SCALE:
DEC. DIM. ±	DRILL, PUNCH, COMMERCIAL STOCK
FRAC. DIM. ±	SIZES AND MANUFACTURERS
ANGULAR DIM. ±	TOLERANCES ARE NOT INCLUDED.

REQ. PER UNIT	MODEL	PROJECT NO.	ASSY. NO.	DATE
1	R.T.F.			

REQ. ITEM	PART NO.	DESCRIPTION	SYMBOL
THE TECHNICAL MATERIEL CORP.			
MAMARONECK, NEW YORK			
FRONT PANEL ENGRAVING			
MODEL R.T.F.			
DRAWN		ELEC. DES. APP.	MECH. DES. APP.
HEAT TREAT. SPEC.		FINAL APPROVAL	
FINISH & SPEC. NO.		REF: M5-719	LD-240 G

LD-240 G