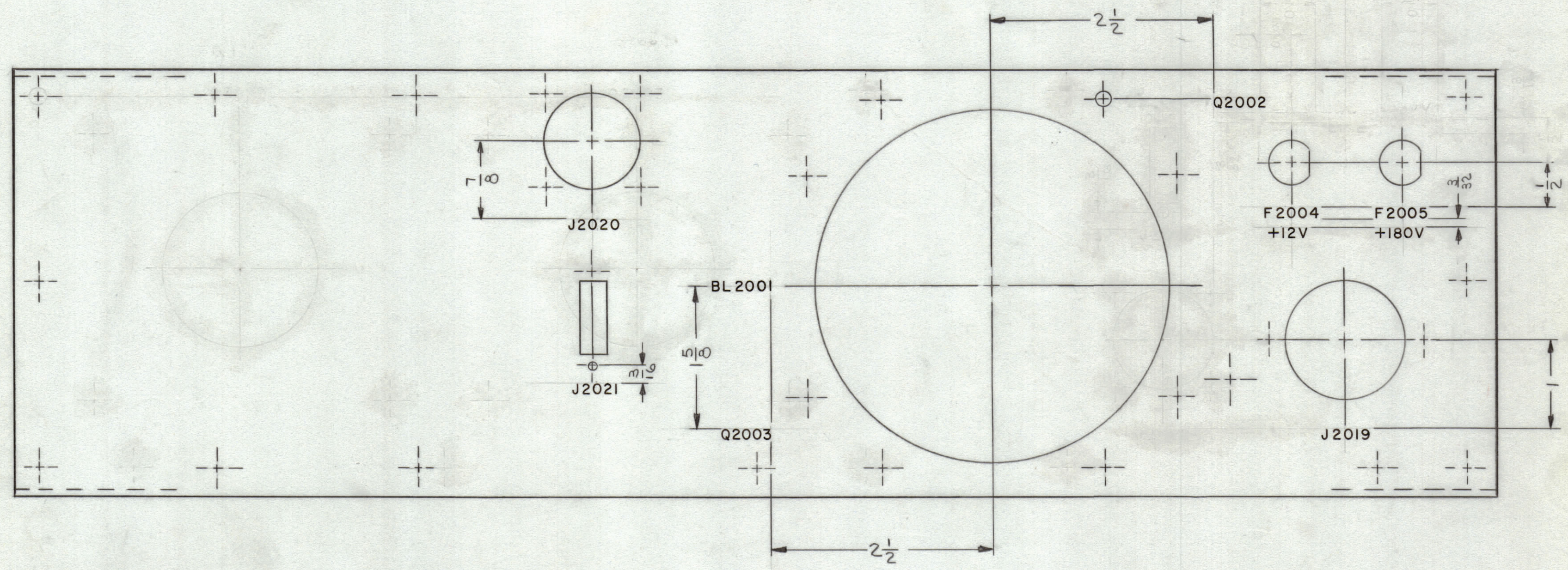


REVISIONS						
ZONE	SYM	DESCRIPTION	DATE	E.M.N. NO.	DRAFT	CHKD
	X2	COMPLETELY REVISED	3/30/66		JL	
	Ø	ORIGINAL RELEASE FOR PRODUCTION	4/18/66			



LD2051

- UNLESS OTHERWISE SPECIFIED -

- 1- MARKING PROCESS: AS PER TMC SPECIFICATION S-727.
- 2- LETTERING: 1/8 HIGH BLACK GOTHIC, LOCATED AS SHOWN.

REF. MS 4841

REQ'D.	ITEM	PART NUMBER	DESCRIPTION	SYMBOL
F. E. EATON LIST OF MATERIAL				
MATERIAL		THE TECHNICAL MATERIEL CORP. MAMARONECK, NEW YORK		
FINISH		TITLE MARKING - PLATE, REAR		
UNLESS OTHERWISE SPECIFIED DIMENSIONS ARE IN INCHES AND INCLUDE CHEMICALLY APPLIED OR PLATED FINISHES		DRAWN J. LESHINSKI CHECKED <i>[Signature]</i>	DATE 1/13/66 4-11-66 DATE 4/18/66	FINAL APPROVAL <i>[Signature]</i> DATE 4/18/66
DECIMALS .X ± .05 .XX ± .01 .XXX ± .005		FRACTIONS ± 1/64 ANGLES ± 0° 30'		MECH. DES. M.L. & R.L. <i>[Signature]</i> DATE 4/18/66
THE CONTENTS OF THIS DRAWING ARE THE EXCLUSIVE PROPERTY OF THE TECHNICAL MATERIEL CORP. ITS UNAUTHORIZED USE OR REPRODUCTION IN WHOLE OR IN PART IS STRICTLY FORBIDDEN.			SHEET 1 OF 2	REV. LTR.

RTIH-1		
Q'TY./UNIT	MODEL USED ON	ASS'Y. NO.
1/1		

NOTES