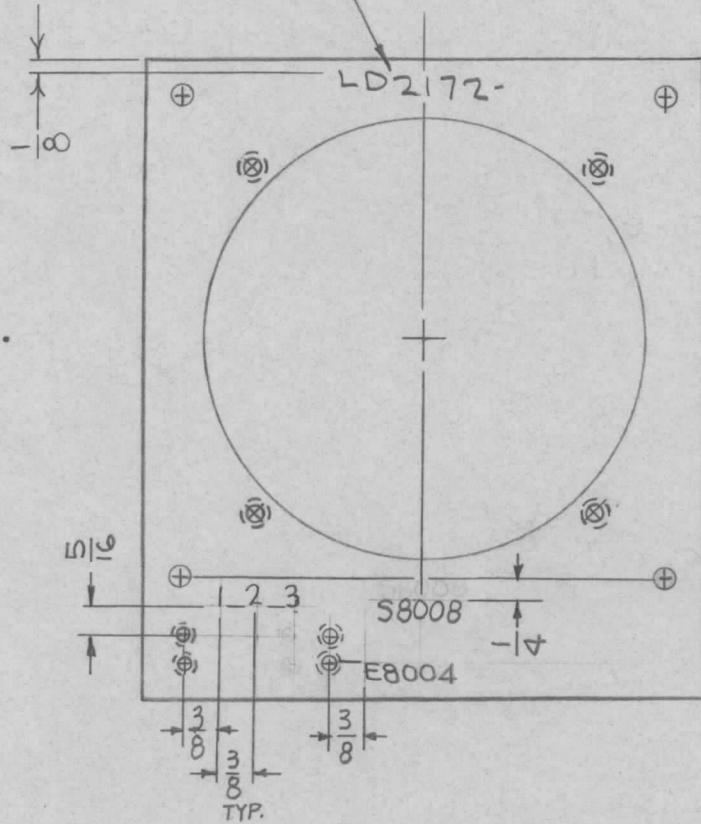


REQ. PER UNIT	USED ON			LD2172	Q
	MODEL	ASS'Y. NO.	DATE		
1	RAK-110-2	BMA15Z	9-19-66		

MARK TMC P/N
 $\frac{1}{8}$ HIGH GOTHIC
W/LATEST REV.
LETTER.



MARKING PROCESS: AS PER TMC SPECIFICATION S-727.
LETTERING: 1/8 HIGH BLACK GOTHIC, LOCATED AS SHOWN.

REF: MS 5096

REQ. ITEM	PART NO.	F. BUDETTI	DESCRIPTION	SYMBOL								
Q	ORIGINAL RELEASE FOR PRODUCTION	12.1.66	W/W									
XI	LOCATING DIM ADD TO TMC PT. NO.	11-21-66	Jc									
X	EXP. RELEASE	9-19-66	X	Q								
SYM	DESCRIPTION	DATE	CH. NO.	DRAFTS	CHECKER	ENG. APP.	MATERIAL					
UNLESS OTHERWISE SPECIFIED DIMENSIONS ARE IN INCHES AND INCLUDE CHEMICALLY APPLIED OR PLATED FINISHES		SCALE	1:2									
DECIMALS .X ± .05 .XX ± .01 .XXX ± .005	TOLERANCES	FRACTIONS ± 1/64 ANGLES ± 0° 30'	CODE	A								
							TYPE & TEMPER	HEAT TREAT. SPEC.	DRAWN	CHECKED	FINAL APPROVAL	
							FINISH & SPEC. NO.		ELEC. DES. APP.	MECH. DES. APP.	LD2172	Q