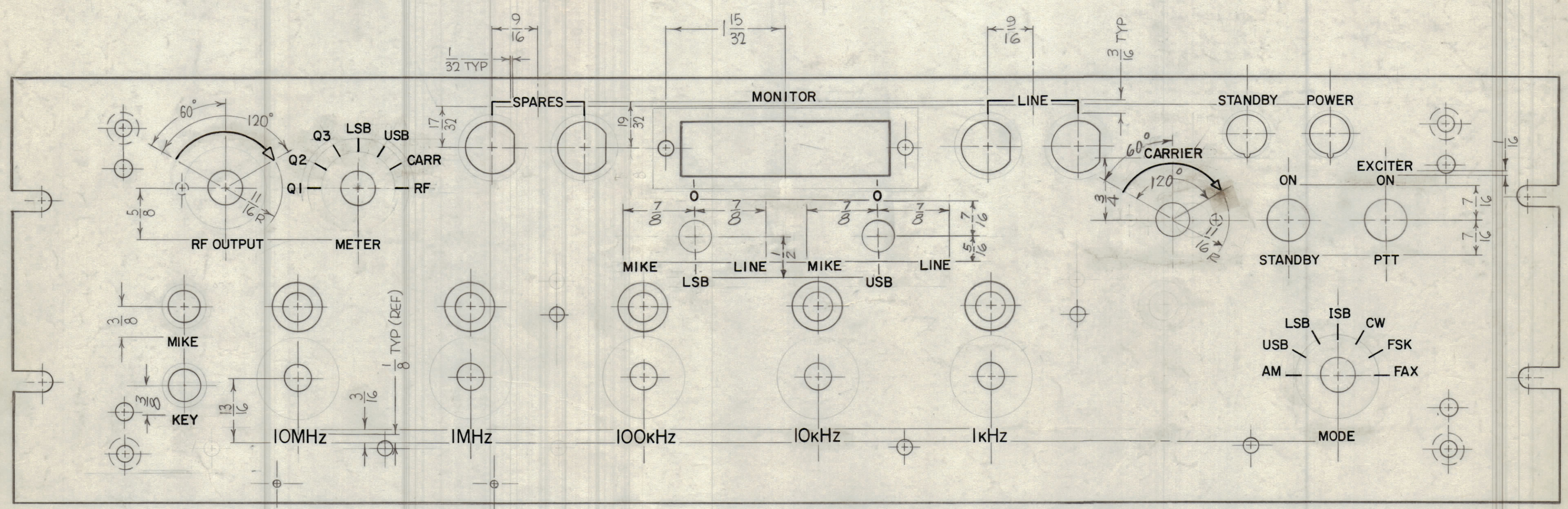
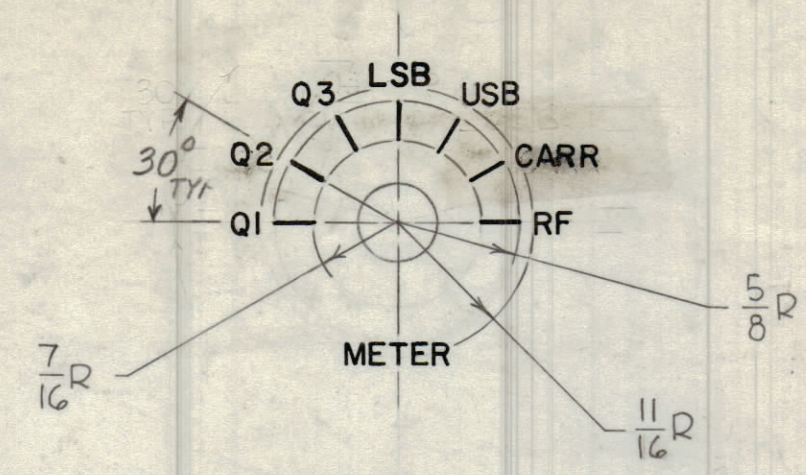
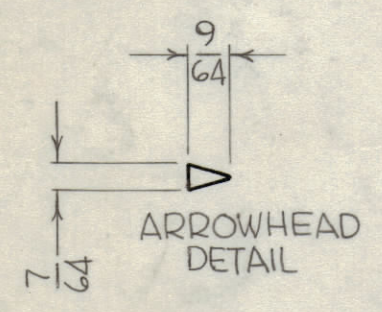


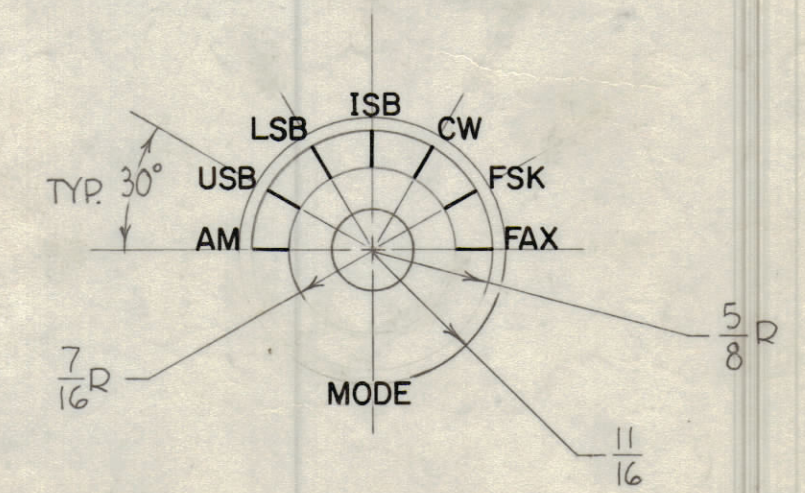
REVISIONS					
ZONE	SYM	DESCRIPTION	DATE	E.M.N. NO.	APPD
X1		HOLES FOR 100HZ DIAL DELETED SEE SH 2	1-18-67		UHO
X2		SEE SHEET 2 OF 2	4-24-67	X2	EDL
Ø		ORIGINAL RELEASE FOR PRODUCTION	4-11-69		HCA



FRONT OF PANEL SHOWN



HEIGHT OF LETTER	DEPTH OF STROKE	WIDTH OF STROKE
1/8	.010	.020
3/16	.010	.025
LINES	.010	.015
ARROWHEADS	.010	SEE DETAIL



- UNLESS OTHERWISE SPECIFIED:
- 1- ENGRAVING TO BE 1/8 HIGH GOTHIC, WHITE FILLED.
 - 2- ALL LINES TO BE WHITE FILLED.
 - 3- ALL ARROWHEADS TO BE WHITE OUTLINE FILL.
 - 4- ALL LETTER GROUPS TO BE CENTERED ON HOLES, CUTOUTS OR INDICATING LINES.
 - 5- ALL ENGRAVING AS PER TMC SPEC. S566.

NOTES

MMX-1	BMA 100
MODEL USED ON	ASS'Y. NO.
CODE A	5401-451
SCALE 1:1	

REF: MS 6062

REQ'D.	ITEM	PART NUMBER	DESCRIPTION	SYMBOL
Ø	POSE		LIST OF MATERIAL (SK 8246-2, SH 1 of 2)	
MATERIAL		THE TECHNICAL MATERIEL CORP. MAMARONECK, NEW YORK		
FINISH		TITLE MARKING, FRONT PANEL		
DRAWN	HCA	DATE	1-10-67	FINAL APPROVAL
CHECKED	JCB	DATE	1-18-67	
ELECT. DES.		DATE		
MECH. DES.		DATE	4/11/69	

UNLESS OTHERWISE SPECIFIED DIMENSIONS ARE IN INCHES AND INCLUDE CHEMICALLY APPLIED OR PLATED FINISHES

DECIMALS .X ± .05 .XX ± .01 .XXX ± .005

FRACTIONS ± 1/64 ± 0° 30'

TOLERANCES

LD2197

SHEET 1 OF 2

THE CONTENTS OF THIS DRAWING ARE THE EXCLUSIVE PROPERTY OF THE TECHNICAL MATERIEL CORP. ITS UNAUTHORIZED USE OR REPRODUCTION IN WHOLE OR IN PART IS STRICTLY FORBIDDEN.

LD2197