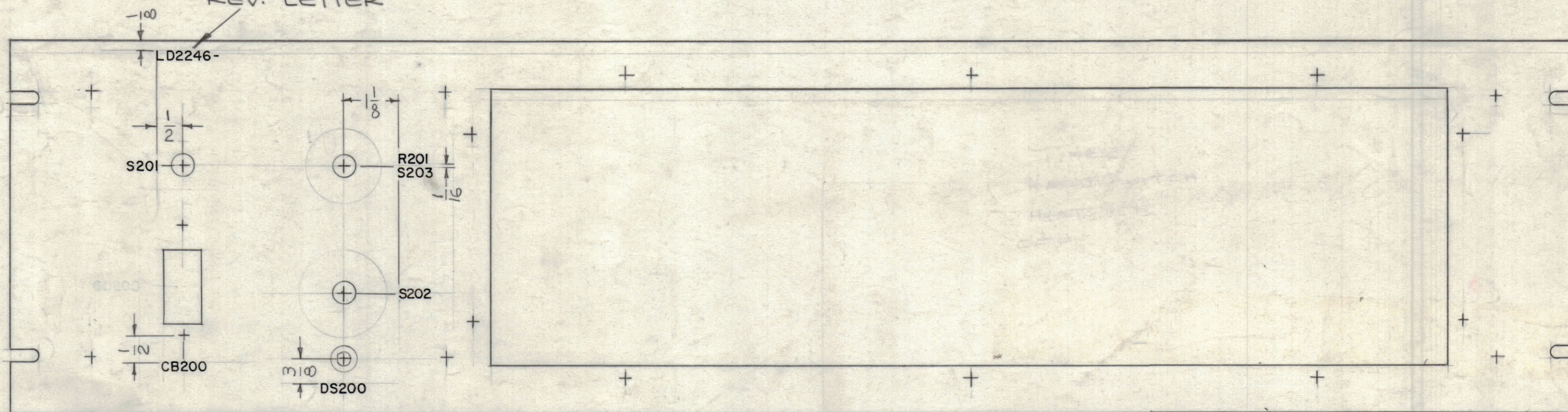


MARKING PROCESS: AS PER TMC SPEC. S727  
 LETTERING: 1/8 HIGH BLACK GOTHIC, LOCATED AS SHOWN

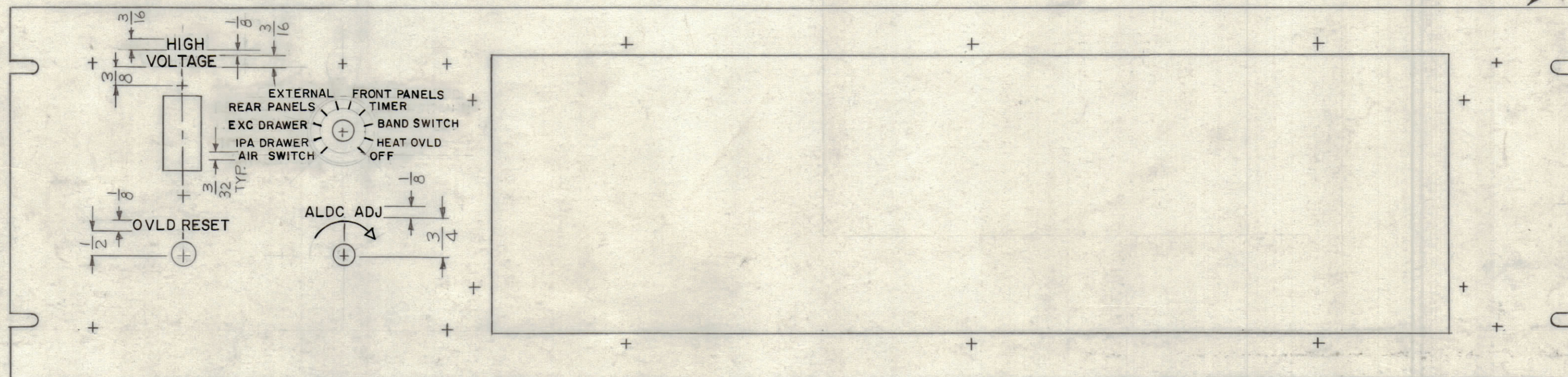
REVISIONS						
ZONE	LTR	DESCRIPTION	DATE	E.M.N.NO	DRAFT	CHKD APPD
	X	EXP. RELEASE	1-2-68	+	H.S.	[Signature]
	X1	INTERLOCK INDICATORS W/REVISED	4-1-68	X1	GDL	[Signature] 741
	X2	REAR MARKING ADDED	6-4-68	X2	[Signature]	[Signature]
	Ø	ORIG. RELEASE FOR PROD.	6-4-68	Ø	R.G.	[Signature]

MARK TMC P/N  
 1/8 HIGH GOTHIC W/LATEST  
 REV. LETTER

REAR VIEW



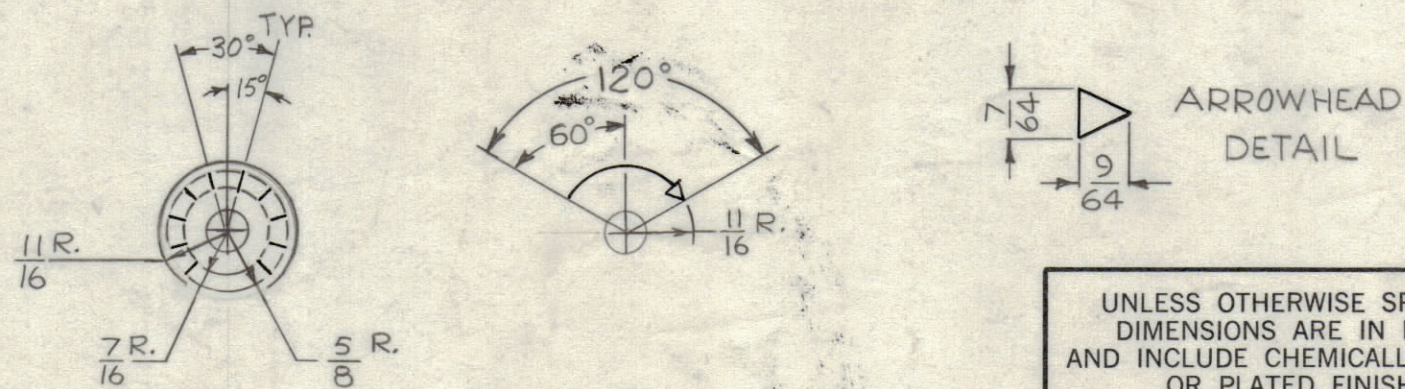
TOP OF PANEL



TOP OF PANEL

FRONT VIEW

LETTER HEIGHT	DEPTH OF STROKE	HEIGHT OF STROKE
3/32	.010	.015
1/8	.010	.020
3/16	.010	.025
LINES	.010	.015
ARROW	.010	SEE DETAIL



REF: MS5170

QTY. REQ.	ITEM	PART NO.	DESCRIPTION	SYMBOL
	F. BUDETTI		LIST OF MATERIAL	SK 3290-LD1004
<b>THE TECHNICAL MATERIEL CORP.</b> MAMARONECK, NEW YORK				
<b>MARKING, FRONT PANEL</b>				
FINAL APPROVAL	[Signature]	DATE	4-1-68	
MECH. DES.		DATE	6-4-68	
ELECT. DES.	[Signature]	DATE	1-2-68	
CHECKED	[Signature]	DATE		
DRAWN	[Signature]	DATE		
SIZE	CODE IDENT. NO.	DWG. NO.	ISSUE	
C	82679	LD2246	Ø	
SCALE 1:2			SHEET	OF

1	BCT-10KA	
QTY / UNIT	MODEL USED ON	ASS'Y NO.
<b>APPLICATION</b>		
	CODE	S401-451
NOTICE TO PERSONS RECEIVING THIS DRAWING		
THE TECHNICAL MATERIEL CORPORATION claims proprietary right in the material disclosed hereon. This drawing is issued in confidence for engineering information only and may not be reproduced or used to manufacture anything shown hereon without permission from THE TECHNICAL MATERIEL CORPORATION to the user. This drawing is loaned for mutual assistance and is subject to recall at any time.		

- UNLESS OTHERWISE SPECIFIED
1. ENGRAVING TO BE WHITE FILLED GOTHIC.
  2. ALL LINES TO BE WHITE FILLED.
  3. ARROWHEAD TO BE WHITE OUTLINE FILLED.
  4. ALL LETTER GROUPS TO BE CENTERED ON HOLES.
  5. ENGRAVING TO BE AS PER S566

LD2246