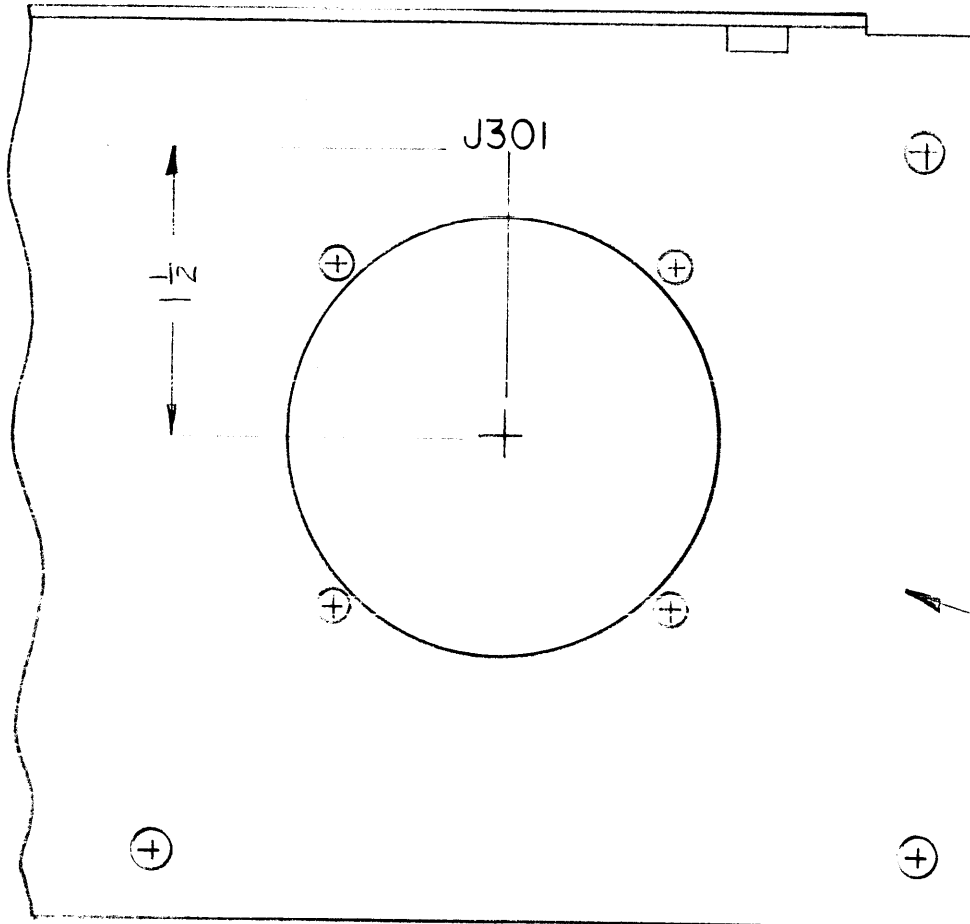
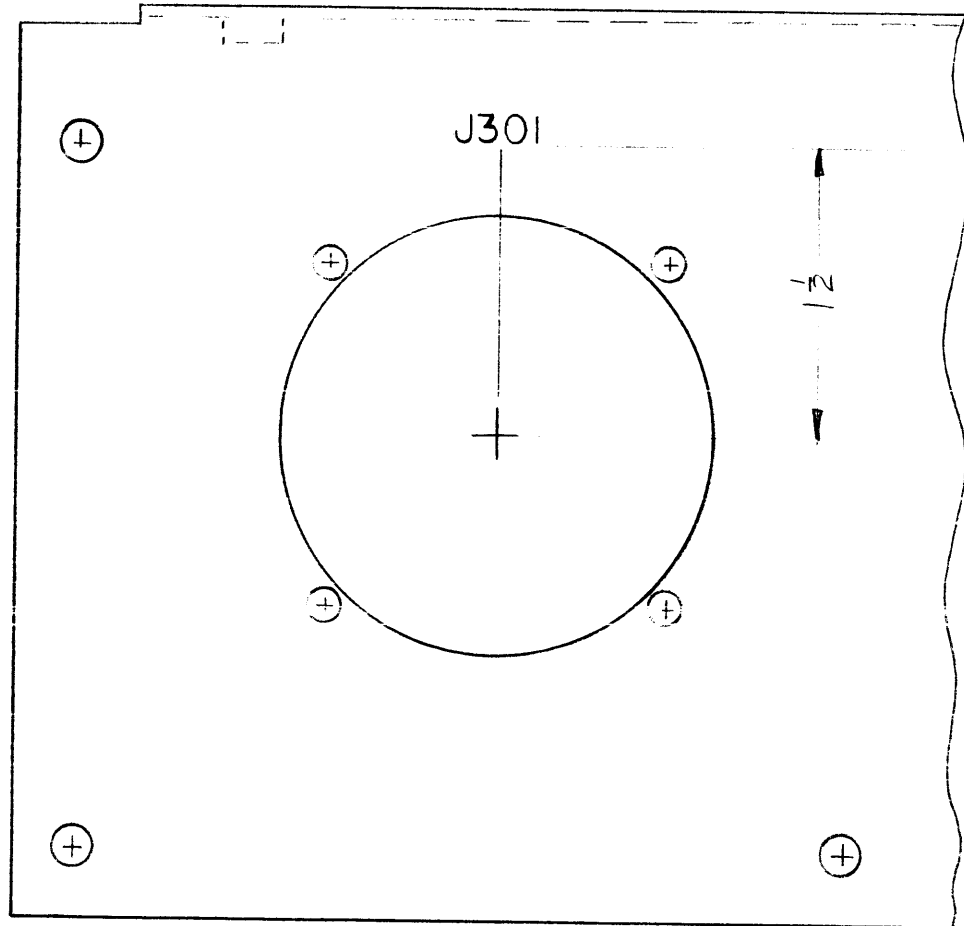


REVISIONS						
ZONE	LTR	DESCRIPTION	DATE	E.M.N.NO	DRAFT	CHKD APPD
	Ø	ORIGINAL RELEASE	9/1/70			

OUTSIDE VIEW

INSIDE VIEW



MARK TMC PART NUMBER
1/8 HIGH GOTHIC WITH LATEST
REVISION LETTER ON REAR OF PANEL

MARKING PROCESS: AS PER TMC SPECIFICATION S727
LETTERING: 1/8 HIGH BLACK GOTHIC, LOCATED AS SHOWN

REF: MS 5655

1	API49	
QTY / UNIT	MODEL USED ON	ASS'Y NO.
APPLICATION		
	CODE	

NOTICE TO PERSONS RECEIVING THIS DRAWING
THE TECHNICAL MATERIEL CORPORATION claims proprietary right in the material disclosed hereon. This drawing is issued in confidence for engineering information only and may not be reproduced or used to manufacture anything shown hereon without permission from THE TECHNICAL MATERIEL CORPORATION to the user. This drawing is loaned for mutual assistance and is subject to recall at any time.

UNLESS OTHERWISE SPECIFIED DIMENSIONS ARE IN INCHES AND INCLUDE CHEMICALLY APPLIED OR PLATED FINISHES	
DECIMALS .X ± .05 .XX ± .01 .XXX ± .005	FRACTIONS 1/64 TOLS. ANGLES 0° -30'
MATERIAL	FINISH

REQ'D	ITEM	PART NUMBER	DESCRIPTION	SYM.
	BUDETTI		LIST OF MATERIAL	
FINAL APPROVAL <i>[Signature]</i>		DATE 9/1/70	THE TECHNICAL MATERIEL CORP. MAMARONECK, NEW YORK	
MECH. DES. <i>[Signature]</i>		DATE 28 AUG 70	MARKING, REAR PNL	
ELECT. DES.		DATE		
CHECKED		DATE		
DRAWN <i>[Signature]</i>		DATE 29 JUN 70		
SIZE	CODE IDENT. NO.	DWG NO.	ISSUE	
B	82679	LD 2416	Ø	
SCALE	SHEET		OF	