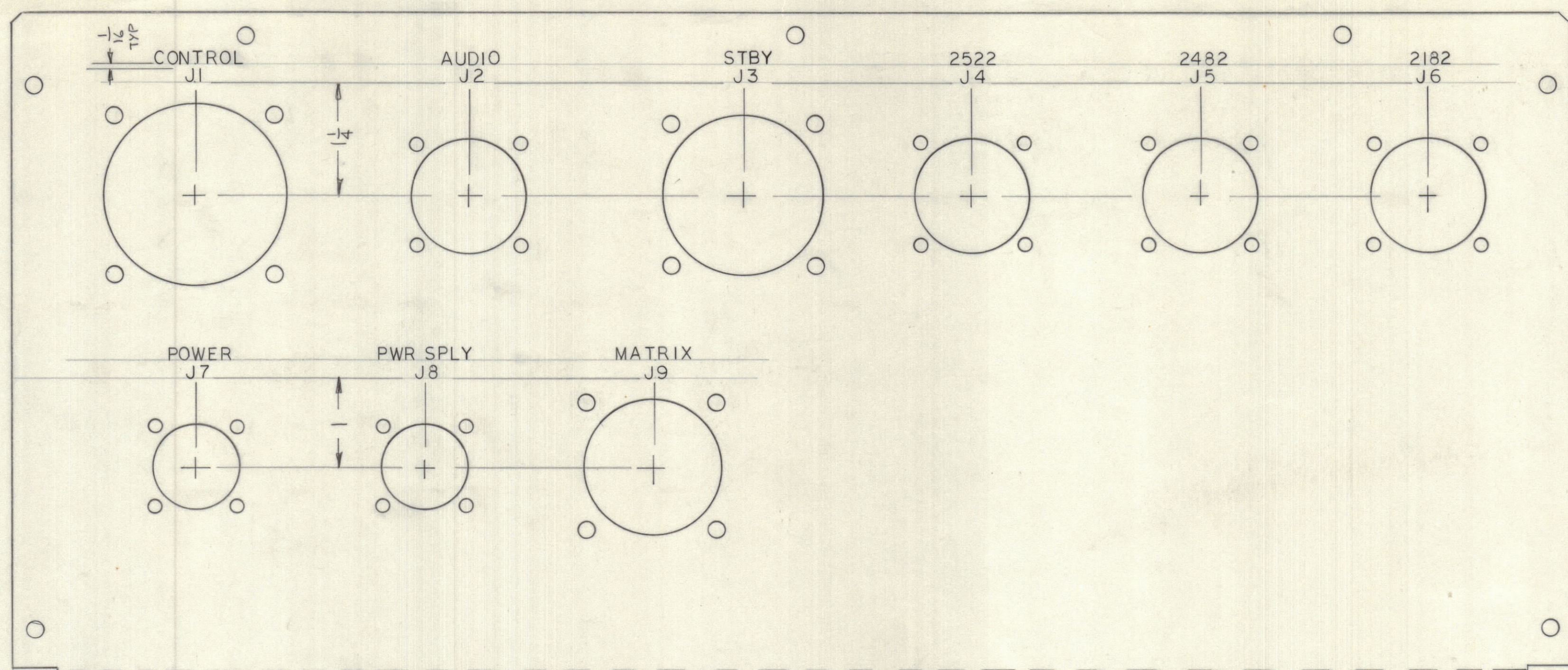
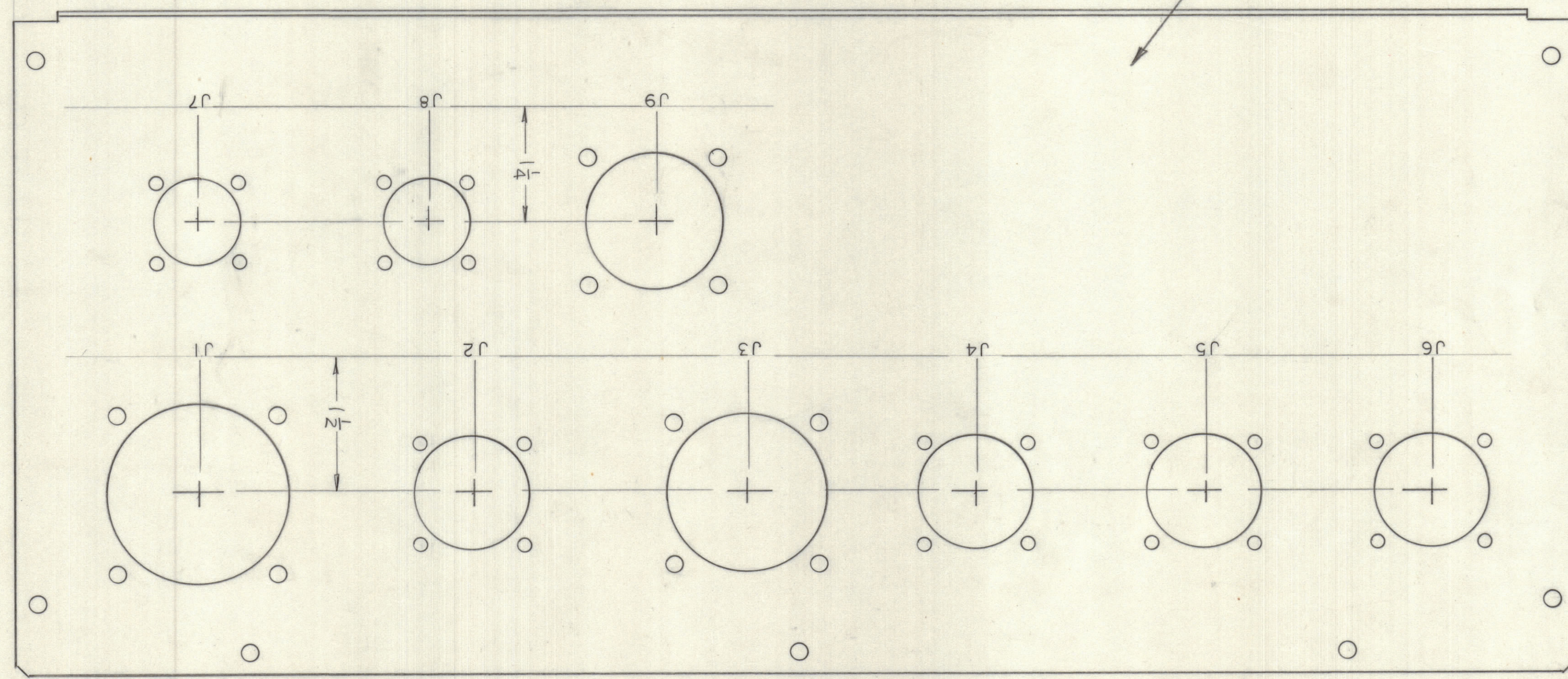


REVISIONS					
E.M.N.NO	DRAFT	CHKD	ZONE	LTR	
	01			X	
DESCRIPTION				DATE	APPROVED
ORIGINAL RELEASE FOR PRODUCTION				4/27/79	



OUTSIDE VIEW

MARK TMC PART NUMBER
1/8 HIGH GOTHIC WITH LATEST
REVISION LETTER



INSIDE VIEW

MARKING PROCESS: AS PER TMC SPECIFICATION S727
LETTERING: 1/8 HIGH BLACK GOTHIC, LOCATED AS SHOWN

1	SYM 1203	AX5158
QTY / UNIT	MODEL USED ON	ASS'Y NO.
	APPLICATION	
	CODE	
<small>NOTICE TO PERSONS RECEIVING THIS DRAWING</small> <small>THE TECHNICAL MATERIEL CORPORATION claims proprietary right in the material disclosed hereon. This drawing is issued in confidence for engineering information only and may not be reproduced or used to manufacture anything shown hereon without permission from THE TECHNICAL MATERIEL CORPORATION to the user. This drawing is loaned for mutual assistance and is subject to recall at any time.</small>		

UNLESS OTHERWISE SPECIFIED
DIMENSIONS ARE IN INCHES
AND INCLUDE CHEMICALLY APPLIED
OR PLATED FINISHES

TOLERANCES ON
 DECIMALS FRACTIONS
 .X ± .05 = 1/64
 .XX ± .01 ANGLS
 .XXX ± .005 ± 0° -30'

QTY. REQ.	ITEM	PART NO.	DESCRIPTION	SYMBOL
LIST OF MATERIAL				
FINAL APPROVAL		DATE	THE TECHNICAL MATERIEL CORP. MAMARONECK, NEW YORK MARKING REAR PLATE	
MECH. DES.		DATE		
ELECT. DES.		DATE		
CHECKED		DATE		
DRAWN		DATE	SIZE CODE IDENT NO. DWG NO. ISSUE D 82679 LD2500 0	
MATERIAL		SCALE		
FINISH		SHEET OF		

REF: MS 6300