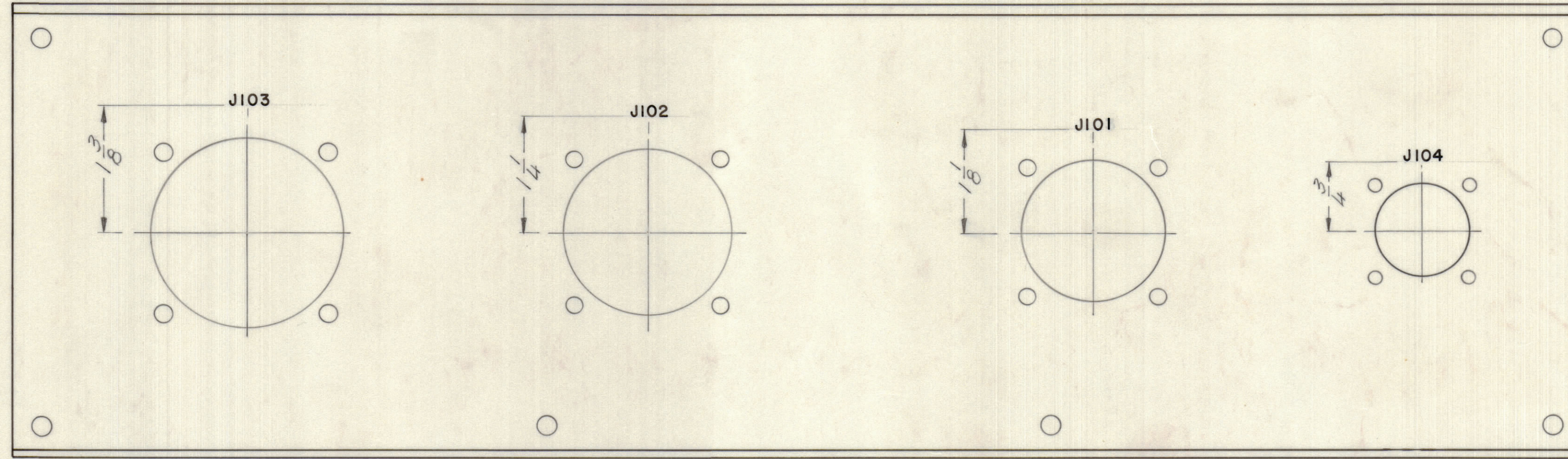


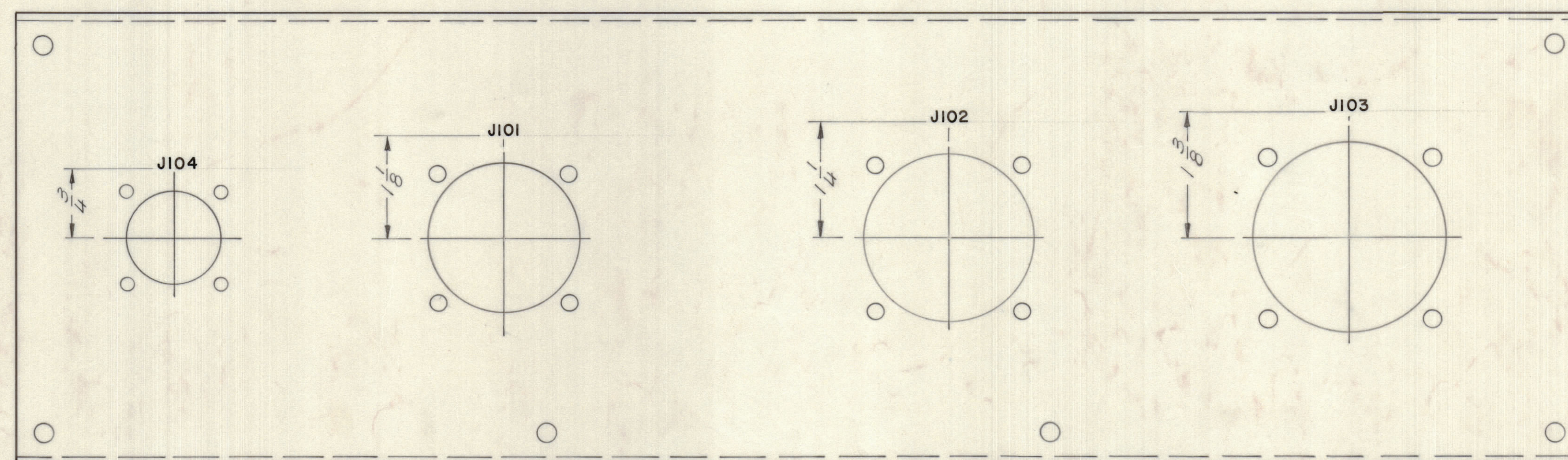
REVISIONS						
E.M.N.NO	DRAFT	CHKD	ZONE	LTR	DATE	APPROVED
	0			0	4/7/78	
DESCRIPTION					DATE	APPROVED
ORIGINAL RELEASE FOR PRODUCTION					4/7/78	

INSIDE



MARKING PROCESS: AS PER TMC SPECIFICATION S727
 LETTERING: 1/8 HIGH BLACK GOTHIC, LOCATED AS SHOWN

OUTSIDE



1	RDCR-1YA	AX516Z
QTY / UNIT	MODEL USED ON	ASS'Y NO.
APPLICATION		
CODE		
<small>NOTICE TO PERSONS RECEIVING THIS DRAWING</small> <small>THE TECHNICAL MATERIEL CORPORATION claims proprietary right in the material disclosed hereon. This drawing is issued in confidence for engineering information only and may not be reproduced or used to manufacture anything shown herein without permission from THE TECHNICAL MATERIEL CORPORATION to the user. This drawing is loaned for mutual assistance and is subject to recall at any time.</small>		

REF MS6334		QTY. REQ.	ITEM	PART NO.	DESCRIPTION	SYMBOL
			S.D		LIST OF MATERIAL	
UNLESS OTHERWISE SPECIFIED DIMENSIONS ARE IN INCHES AND INCLUDE CHEMICALLY APPLIED OR PLATED FINISHES		FINAL APPROVAL	DATE	THE TECHNICAL MATERIEL CORP.		
TOLERANCES ON		MECH. DES.	DATE	MAMARONECK, NEW YORK		
DECIMALS	FRACTIONS	ELECT. DES.	DATE	MARKING, REAR PLATE		
.X ± .05	± 1/64	CHECKED	DATE			
.XX ± .01	ANGLES	DRAWN	DATE			
.XXX ± .005	± 0° - 30'					
MATERIAL				SIZE	CODE	IDENT NO. DWG NO.
FINISH				D	82679	LD2510
				SCALE	1:1	SHEET OF