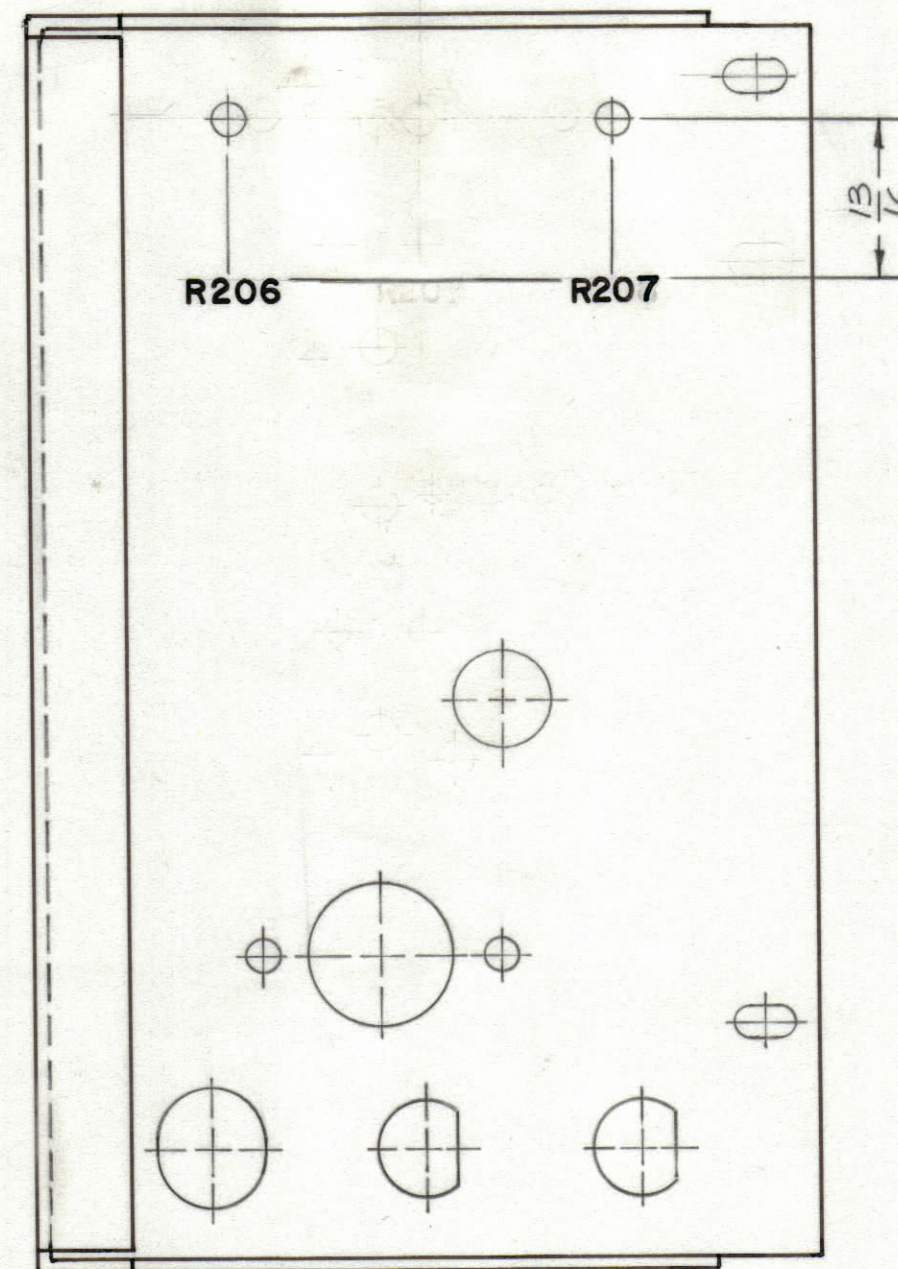
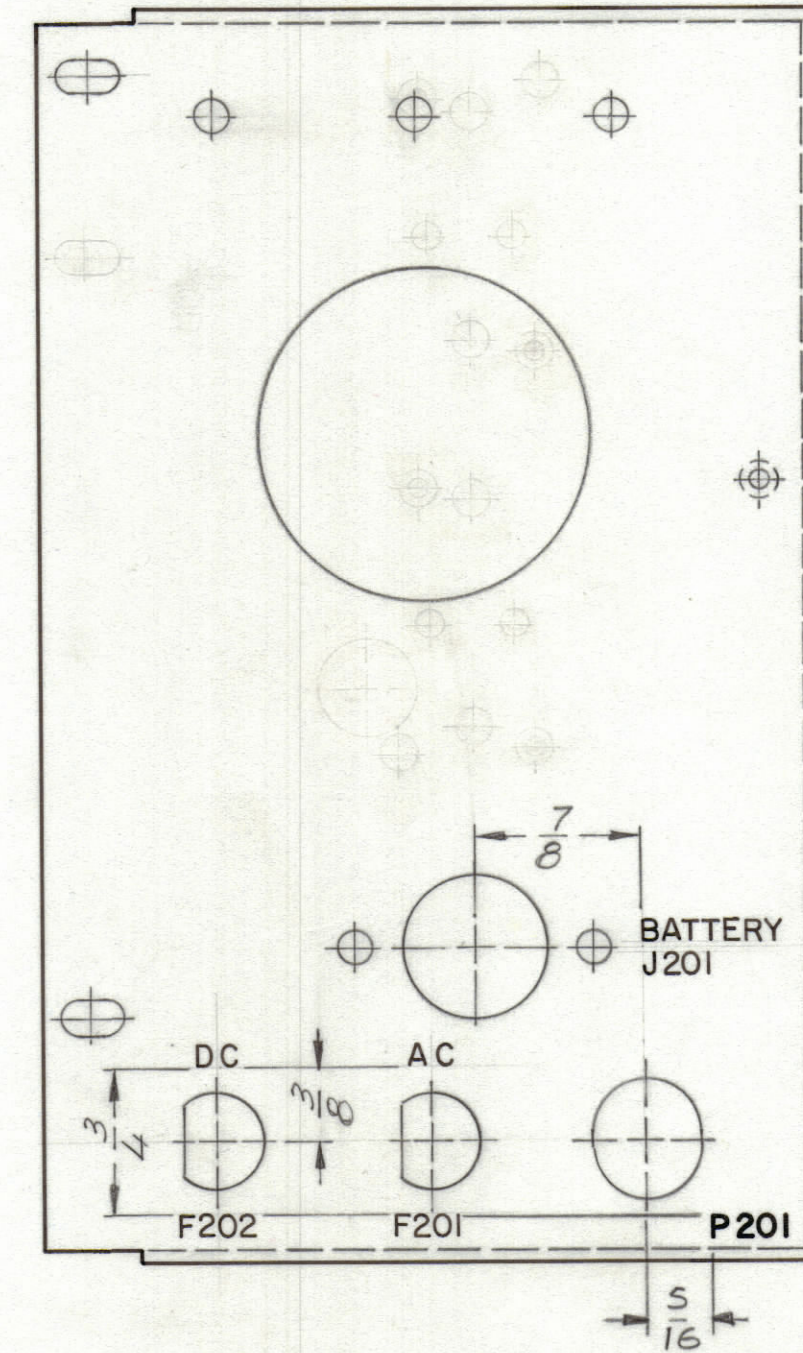


REVISIONS						
ZONE	LTR	DESCRIPTION	DATE	E.M.N.NO	DRAFT	CHKD APPD
	Ø	ORIGINAL RELEASE FOR PRODUCTION	11/2/73		DV	



INTERIOR VIEW



EXTERIOR VIEW

MARKING PROCESS: AS PER TMC SPECIFICATION S727  
 LETTERING: 1/8 HIGH BLACK GOTHIC, LOCATED AS SHOWN

1	GPR 110	
QTY / UNIT	MODEL USED ON	ASS'Y NO.
APPLICATION		
	CODE	

NOTICE TO PERSONS RECEIVING THIS DRAWING  
 THE TECHNICAL MATERIEL CORPORATION claims proprietary right in the material disclosed hereon. This drawing is issued in confidence for engineering information only and may not be reproduced or used to manufacture anything shown hereon without permission from THE TECHNICAL MATERIEL CORPORATION to the user. This drawing is loaned for mutual assistance and is subject to recall at any time.

REF MS 6484		QTY. REQ.	ITEM	PART NO.	DESCRIPTION	SYMBOL
			F. BUDETTI		LIST OF MATERIAL	
UNLESS OTHERWISE SPECIFIED DIMENSIONS ARE IN INCHES AND INCLUDE CHEMICALLY APPLIED OR PLATED FINISHES		FINAL APPROVAL	DATE	THE TECHNICAL MATERIEL CORP. MAMARONECK, NEW YORK		
TOLERANCES ON		MECH. DES.	DATE	MARKING PLATE, LEFT SIDE		
DECIMALS	FRACTIONS	ELECT. DES.	DATE			
.X ± .05	± 1/64	CHECKED	DATE			
.XX ± .01	ANGLES	DRAWN	DATE			
.XXX ± .005	± 0° -30'					
MATERIAL				SIZE	CODE IDENT. NO.	DWG NO.
FINISH				C	82679	LD3012
				SCALE 1:1		ISSUE
						Ø
					SHEET	OF

LD 3012 Ø B