

4

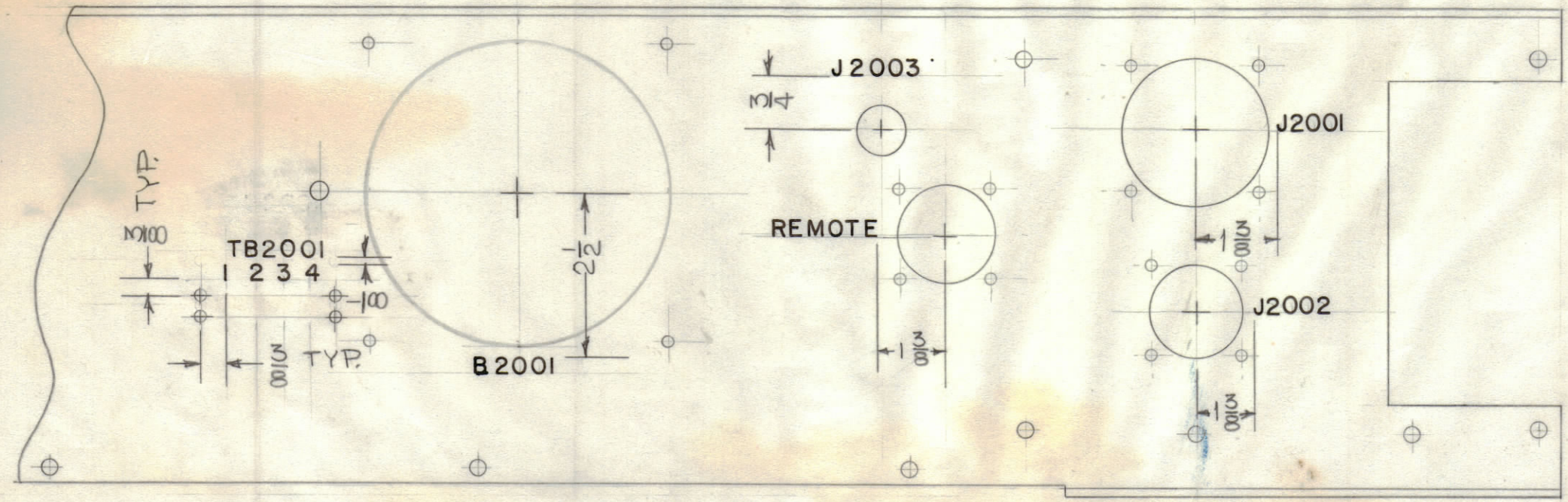
3

2

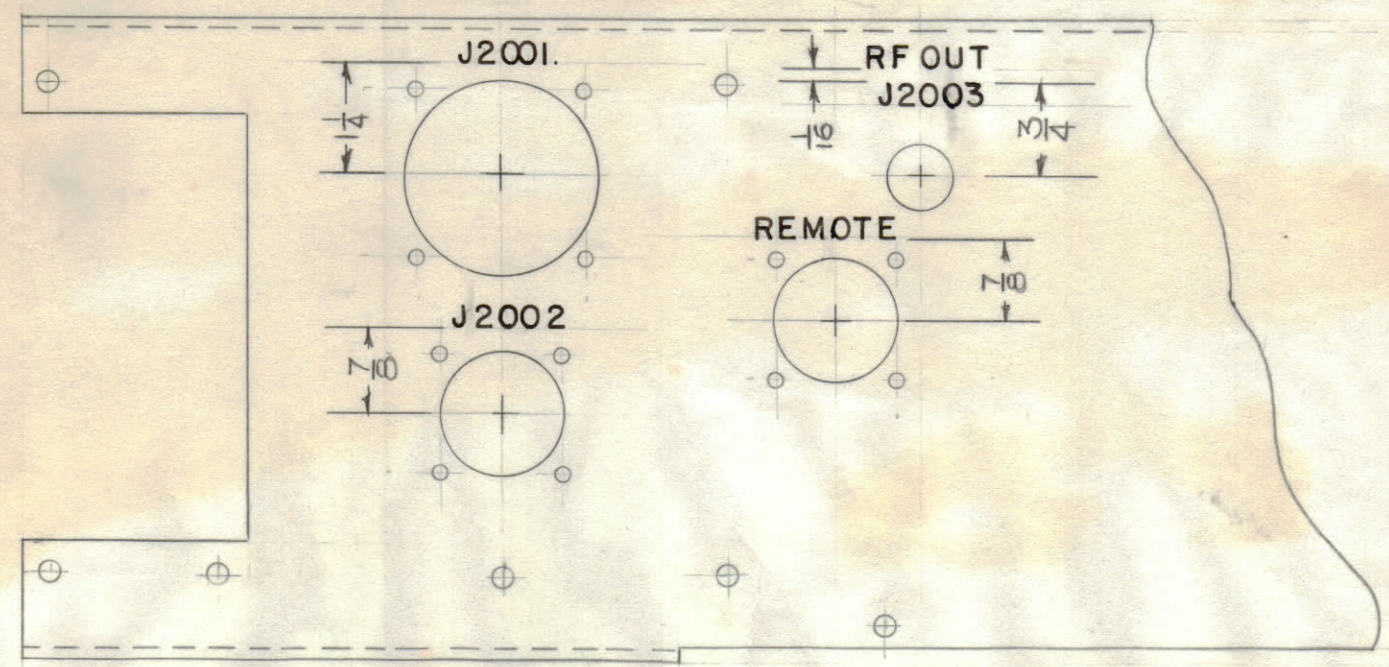
1

REVISIONS						
ZONE	LTR	DESCRIPTION	DATE	E.M.N.NO	DRAFT	CHKD APPD
	Ø	ORIGINAL RELEASE FOR PRODUCTION	1-14-81			

MARK TMC PART NUMBER  
 1/8 HIGH GOTHIC WITH LATEST  
 REVISION LETTER ON REAR OF PANEL  
 LD 3079 / MS6832



INSIDE VIEW



OUTSIDE VIEW

REF: MS6832

MARKING PROCESS: AS PER TMC SPECIFICATION S727  
 LETTERING: 1/8 HIGH BLACK GOTHIC, LOCATED AS SHOWN

1	HFTR-10K/JB	A52304
QTY / UNIT	MODEL USED ON	ASS'Y NO.
APPLICATION		
	CODE	

**NOTICE TO PERSONS RECEIVING THIS DRAWING**  
 THE TECHNICAL MATERIEL CORPORATION claims proprietary right in the material disclosed hereon. This drawing is issued in confidence for engineering information only and may not be reproduced or used to manufacture anything shown hereon without permission from THE TECHNICAL MATERIEL CORPORATION to the user. This drawing is loaned for mutual assistance and is subject to recall at any time.

UNLESS OTHERWISE SPECIFIED  
 DIMENSIONS ARE IN INCHES  
 AND INCLUDE CHEMICALLY APPLIED  
 OR PLATED FINISHES

**TOLERANCES ON**

DECIMALS	FRACTIONS
.X ± .05	± 1/64
.XX ± .01	ANGLES
.XXX ± .005	± 0° -30'

MATERIAL

FINISH

QTY. REQ.	ITEM	PART NO.	DESCRIPTION	SYMBOL
LIST OF MATERIAL				
FINAL APPROVAL		DATE	<b>THE TECHNICAL MATERIEL CORP.</b> MAMARONECK, NEW YORK  MARKING, REAR PLATE (EXCITER DRAWER MMX-2B)	
MECH. DES.		DATE		
ELECT. DES.		DATE		
CHECKED		DATE		
DRAWN PH		DATE 9-13-77		
SIZE	CODE IDENT.NO.	DWG NO.	ISSUE	
C	82679	LD 3079	Ø	
SCALE			SHEET	OF

4

3

2

1

LD 3079