

REV. DIM. 1	DATE	BY	CHKD.
REV. DIM. 2	DATE	BY	CHKD.
REV. DIM. 3	DATE	BY	CHKD.
REV. DIM. 4	DATE	BY	CHKD.

THE TECHNICAL MATERIAL CORPORATION  
 MANHATTAN, NEW YORK

PROPERTY OF  
 THE TECHNICAL MATERIAL CORPORATION  
 MANHATTAN, NEW YORK

THIS DRAWING IS THE PROPERTY OF THE TECHNICAL MATERIAL CORPORATION AND IS LOANED TO YOU FOR YOUR INFORMATION ONLY. IT IS NOT TO BE REPRODUCED OR COPIED IN ANY MANNER WITHOUT THE WRITTEN PERMISSION OF THE TECHNICAL MATERIAL CORPORATION. IT IS TO BE RETURNED TO THE TECHNICAL MATERIAL CORPORATION WHEN NO LONGER REQUIRED.

REV. DIM. 1	DATE	BY	CHKD.
REV. DIM. 2	DATE	BY	CHKD.
REV. DIM. 3	DATE	BY	CHKD.
REV. DIM. 4	DATE	BY	CHKD.

PROJECT NO. **RTP-2**  
 MODEL NO. **RTP-2**  
 DATE **11-8-58**

USED ON

HEAT TREAT SPEC

TYPE B TENSILE

MATERIAL

WEIGHT PER SQ. IN.

STOCK SIZE

THE TECHNICAL MATERIAL CORP.  
 MANHATTAN, NEW YORK

LETTERING, FRONT PANEL REAR

DRAWN

CHKD. BY

DATE

REV. DIM. 1

NOTE: LETTERING TO BE 8 HIGH BLACK GOTHIC

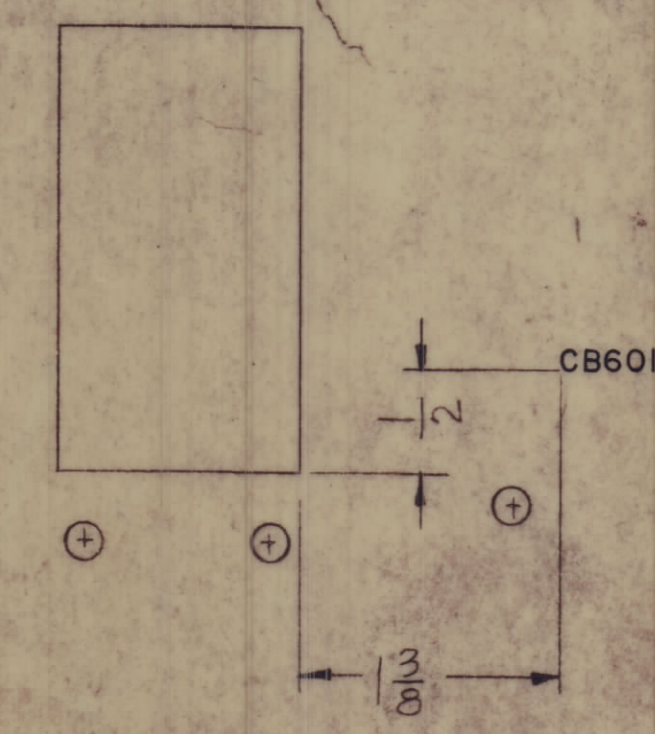
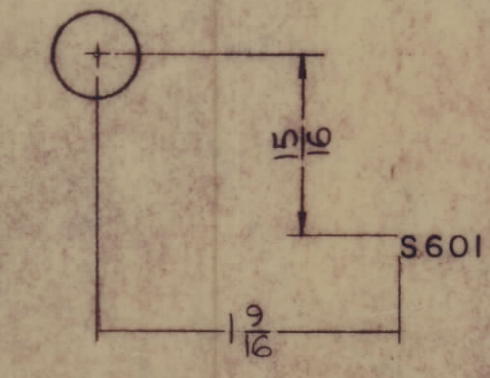
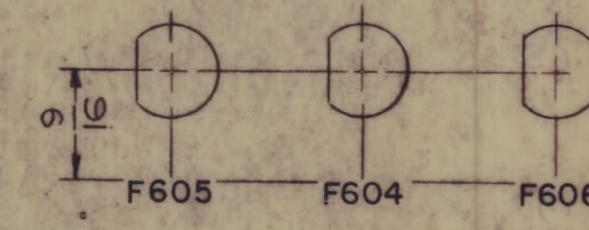
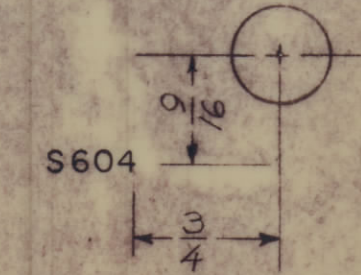
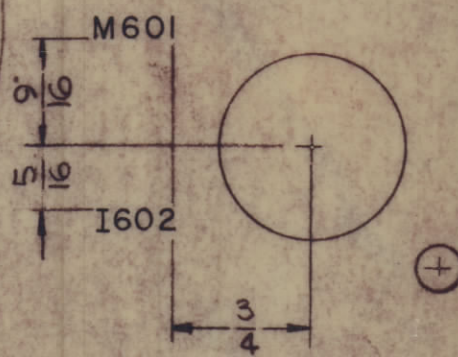
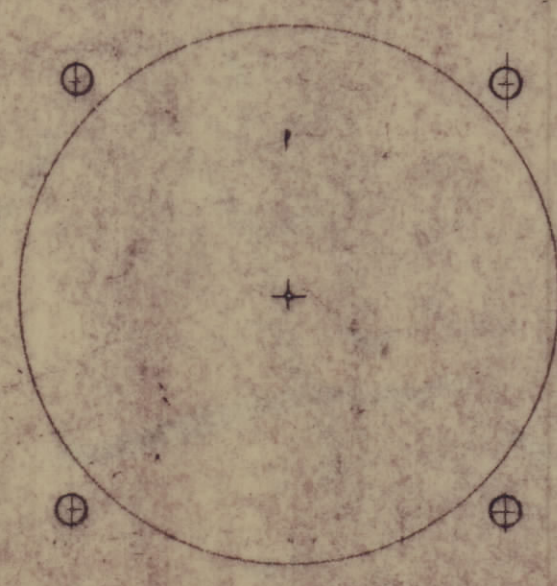
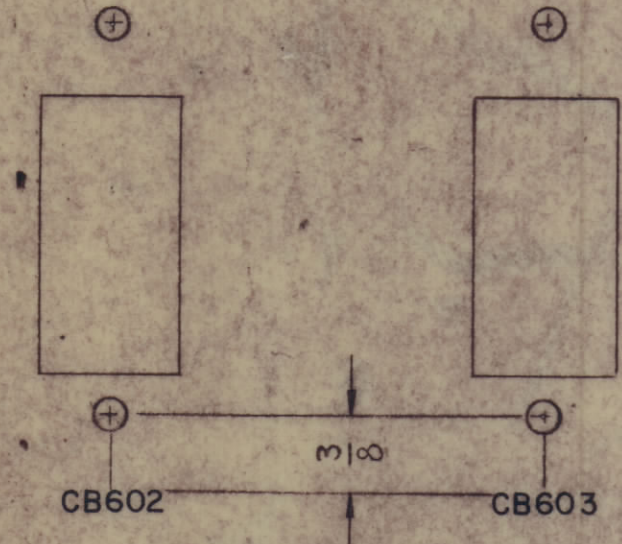
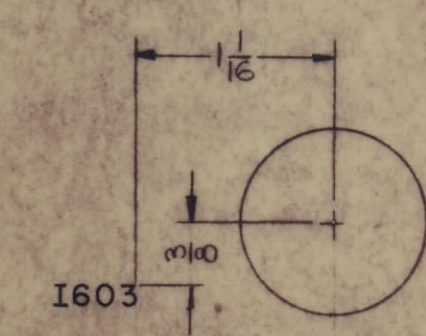
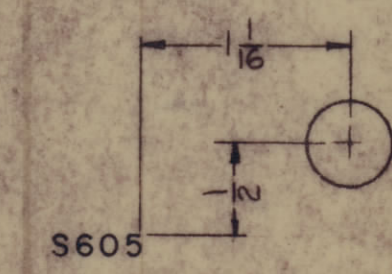
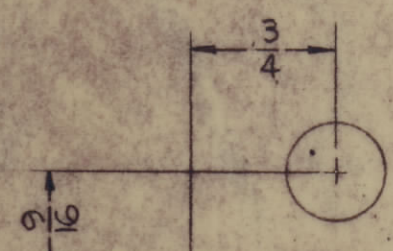
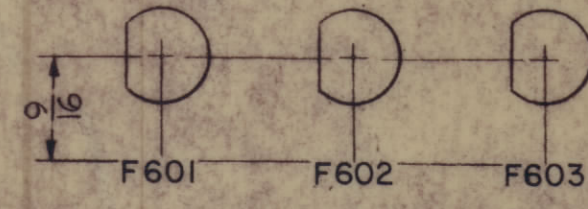
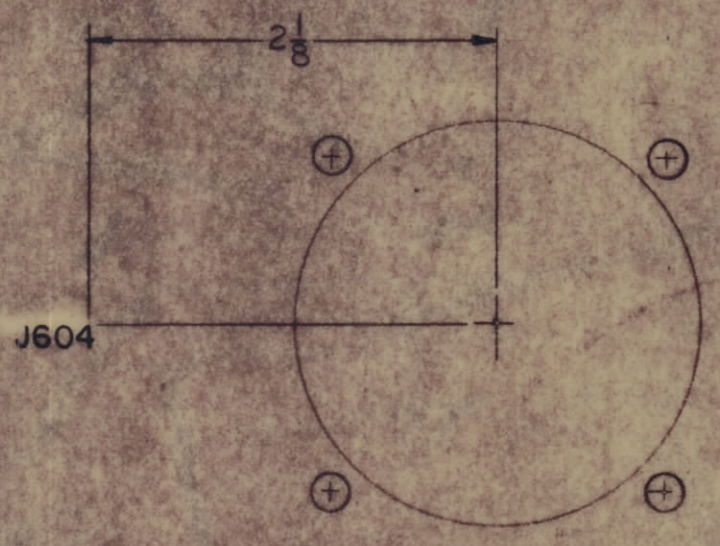
MARKING PROCESS: AS PER T.M.C. SPECIFICATION S-277

OBSELETE

USE LD 451

SHEET 2 OF 2

OBSELETE



IF IT IS FOUND NECESSARY TO CHANGE ANY DIMENSIONS OR DIMENSIONS SHOWN ON THIS DRAWING, THE REVISIONS SHOULD BE INDICATED BY A REVISION SYMBOL AND A DIMENSION LINE. THE DIMENSIONS SHOWN ON THIS DRAWING ARE THE DIMENSIONS OF THE PARTS AND NOT THE DIMENSIONS OF THE DRAWING.

101747 B