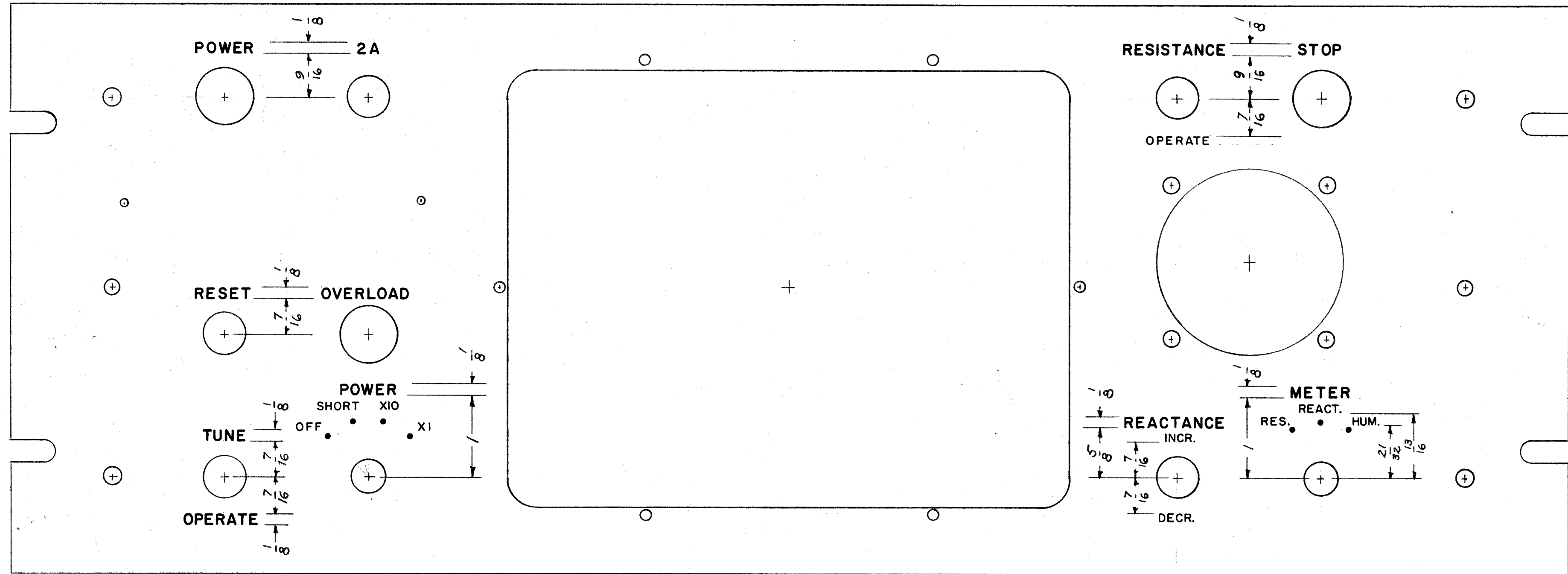
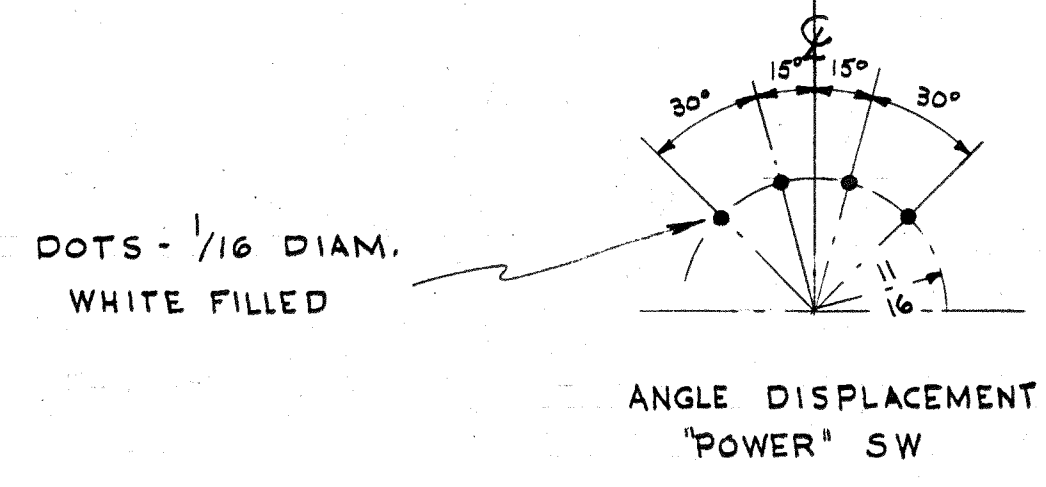


IF IT IS FOUND DESIRABLE TO CHANGE ANY TOLERANCE OR OTHER DETAIL SPECIFIED ON THIS DRAWING NOTIFY THE PURCHASER PROMPTLY.
 MAXIMUM ALLOWABLE TOLERANCES HAVE BEEN DETERMINED AND DEVIATIONS WILL BE CAUSE FOR REJECTION.
 REMOVE ALL BURRS AND SHARP EDGES

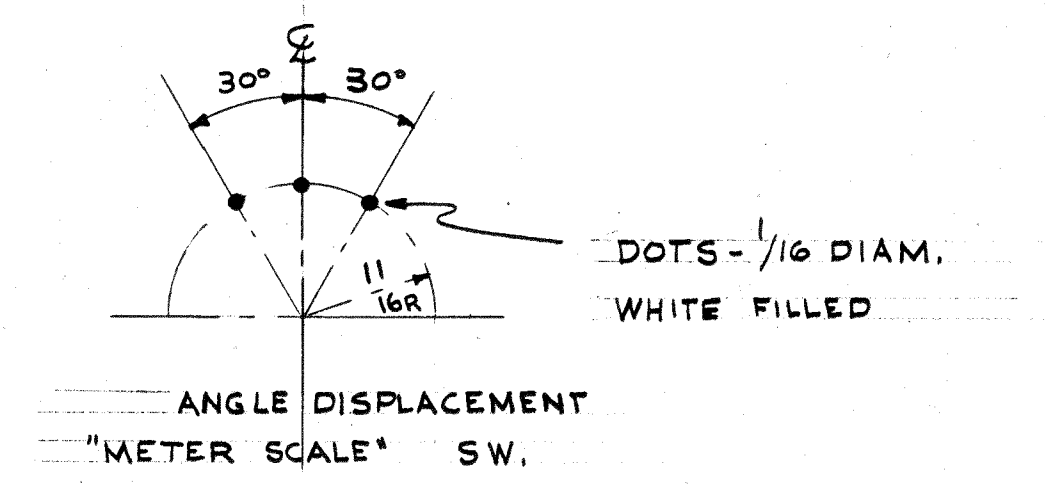


FRONT VIEW OF PANEL SHOWN
 (TO BE ENGRAVED)
 PER TMC SPEC - 5566



NOTES:
 ALL LETTERING TO BE 3/32" HIGH UNLESS OTHERWISE NOTED.
 ALL LETTERING TO BE BLACK FILLED GOTHIC.

LETTER HEIGHT	DEPTH OF STROKE	WIDTH OF STROKE
3/32	.010	.015
1/8	.010	.020



NOTICE TO PERSONS RECEIVING THIS DRAWING
 THE TECHNICAL MATERIEL CORPORATION claims proprietary right in the material disclosed herein. This drawing is issued in confidence for engineering information only and may not be reproduced or used to manufacture any like shown herein without permission from THE TECHNICAL MATERIEL CORPORATION in New York. This drawing is loaned for individual assistance and is subject to recall at any time.
 THE TECHNICAL MATERIEL CORPORATION
 240-240TH ST., NEW YORK

REVISE	NO	HOLES	DATE	BY	CHKD	APP.
B	1	REVISE NP HOLES	8-17-50	21673	WJB	
A	1	SHEET NO #2 Added	7-61	4595	RU	

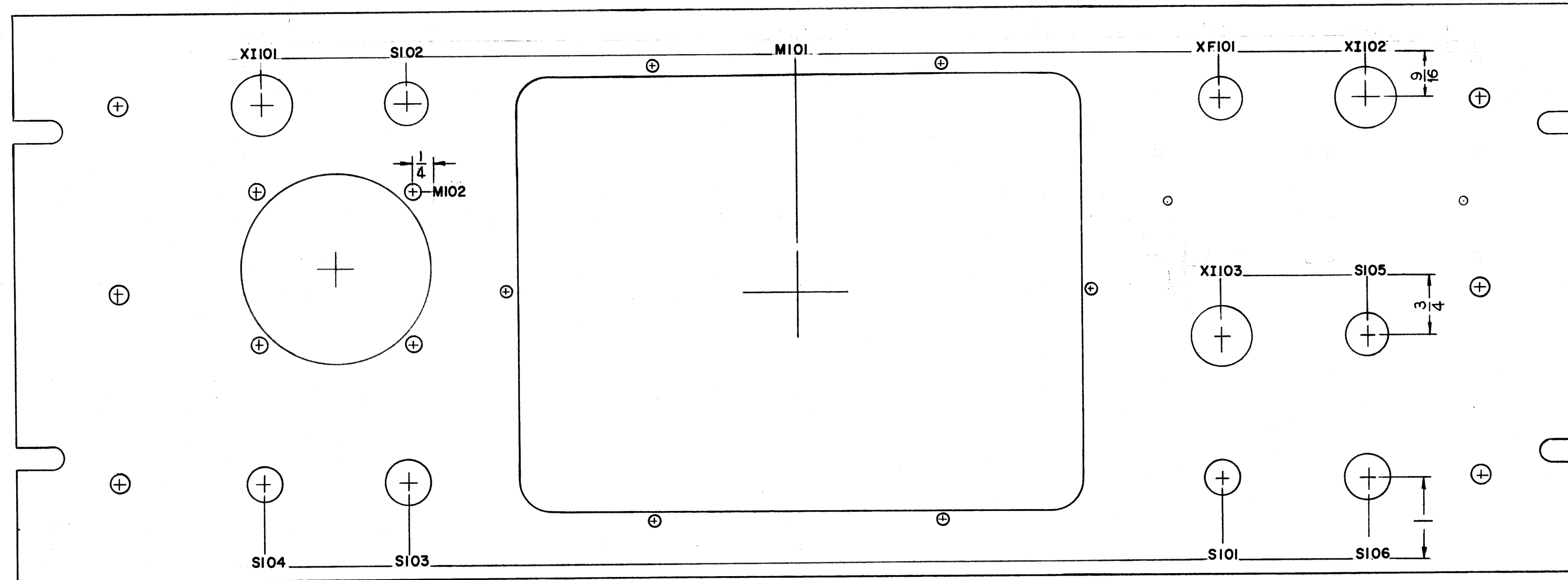
SCALE: DRILL, PUNCH, COMMERCIAL STOCK SIZES AND MANUFACTURERS TOLERANCES ARE NOT INCLUDED.

1	MCU-2	ATS-50 (10)	4-23-50
REQ PER UNIT	MODEL	PROJECT NO.	DATE
		ASSY. NO.	

REF: MS-1751	MACHINING		
REQ. ITEM	PART NO.	DESCRIPTION	SYMBOL
3/16		THE TECHNICAL MATERIEL CORP. MAMARONECK, NEW YORK	
ALUMINUM		ENGRAVING, FRONT PANEL	
MATERIAL	WEIGHT PER PC.	MODEL	MCU-2
2024-T3		DRAWN	WJB
TYPE & TEMPER		ECG. DES. APP.	WJB
HEAT TREAT SPEC.		CHECKED	WJB
SEE NOTE		FINAL APPROVAL	LD-538 B
FINISH & SPEC. NO.			

LD-538 B

WARNING TO PERSONS RECEIVING THIS DRAWING
 THE TECHNICAL MATERIEL CORPORATION claims proprietary right in the material disclosed hereon. This drawing is issued in confidence for engineering information only and may not be reproduced or used to manufacture any time shown hereon without permission from THE TECHNICAL MATERIEL CORPORATION to the user. This drawing is loaned for mutual assistance and is subject to recall at any time.
 Property of:
 THE TECHNICAL MATERIEL CORPORATION
 MAMARONECK, NEW YORK



REAR VIEW OF PANEL SHOWN

LETTERING TO BE 1/8 HIGH BLACK GOTHIC,
 CENTERED ON HOLES UNLESS OTHERWISE SPECIFIED

MARKING PROCESS: AS PER T.M.C. SPECIFICATION S-727

LD-538 B

REF. MS-1751

REV. NO.	DESCRIPTION	DATE	CH. NO.	DRAFTER	CHECKER	ENG. APP.
B	REVISE NAMEPLATE HOLES	8-17-78	21673	WJS		
A	Dwg. Made as 2nd Sheet of (LD-538)	4-7-61	4596	RU		

UNLESS OTHERWISE SPECIFIED:
 DIMENSIONS ARE IN INCHES
 TOLERANCES ON
 FRACTIONS ± 1/64 DECIMALS ± .005 ANGLES ± 1/2°

SCALE
 MAXIMUM ALLOWABLE TOLERANCES HAVE BEEN DETERMINED AND ANY DEVIATIONS WILL BE CAUSE FOR REJECTION. REMOVE ALL BURRS & SHARP EDGES

T.M.C. FORM NO. 111

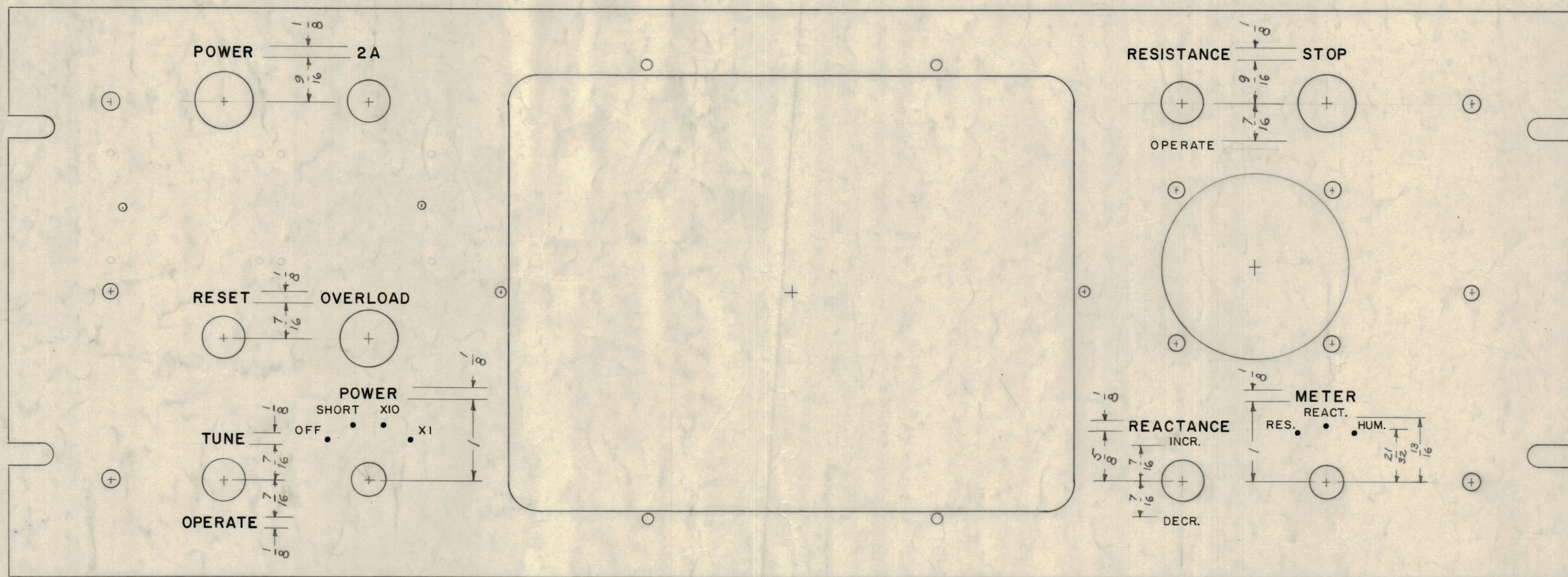
REQ. PER UNIT	MODEL	SECTION	ASSY. NO.	DATE
1	MCU-2	ATS-50(70)		4-7-61

USED ON

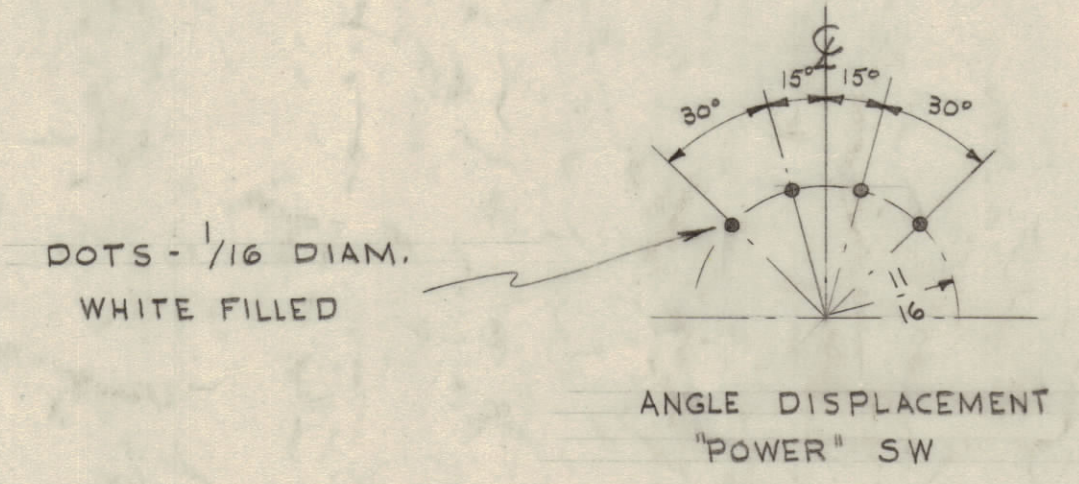
REQ. ITEM	PART NO.	DESCRIPTION	SYMBOL
		THE TECHNICAL MATERIEL CORP. MAMARONECK, NEW YORK	
		LETTERING - FRONT PANEL	
		REAR	
	UZZO	DRAWN	
		CHECKED	
		FORMAL APPROVAL	
		LD-538	B
		SHEET	OF 2 OF 2

DEFIANCE NO. 1050 1960

IF IT IS FOUND DESIRABLE TO CHANGE ANY TOLERANCE OR OTHER DETAIL SPECIFIED ON THIS DRAWING NOTIFY THE PURCHASER PROMPTLY.
 MAXIMUM ALLOWABLE TOLERANCES HAVE BEEN DETERMINED AND DEVIATIONS WILL BE CAUSE FOR REJECTION. REMOVE ALL BURRS AND SHARP EDGES.

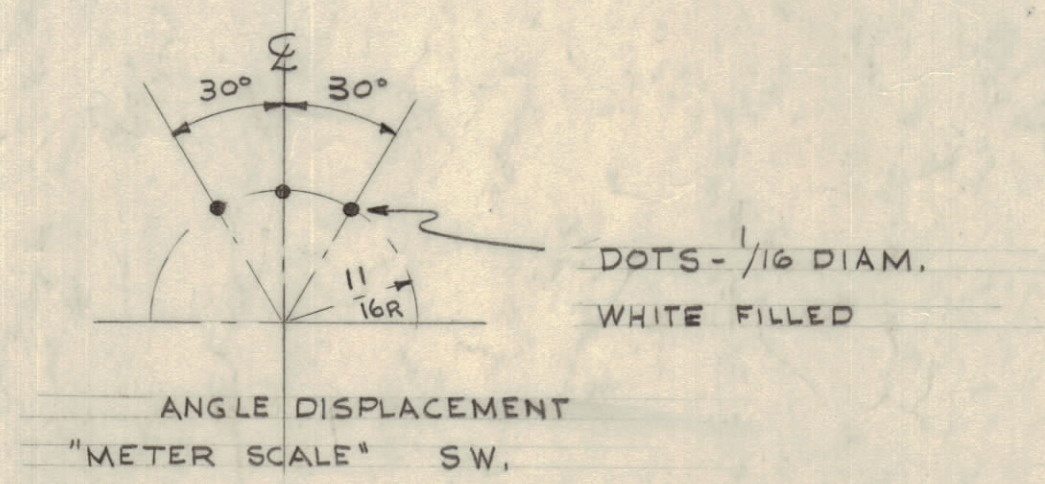


FRONT VIEW OF PANEL SHOWN
 (TO BE ENGRAVED)
 PER TMC SPEC - 5566



NOTES:
 ALL LETTERING TO BE 3/32" HIGH UNLESS OTHERWISE NOTED.
 ALL LETTERING TO BE BLACK FILLED GOTHIC.

LETTER HEIGHT	DEPTH OF STROKE	WIDTH OF STROKE
3/32	.010	.015
1/8	.010	.020



NOTICE TO PERSONS RECEIVING THIS DRAWING:
 THE TECHNICAL MATERIEL CORPORATION claims proprietary right in the material disclosed herein. This drawing is issued in confidence for engineering information only and may not be reproduced or used to manufacture anything shown herein without permission from THE TECHNICAL MATERIEL CORPORATION. This drawing is loaned for instant assistance and is subject to recall at any time.
 Property of
 THE TECHNICAL MATERIEL CORPORATION
 MAMARONECK, NEW YORK

B	REVISE NP HOLES	8-17-58	21673	478	-	-
A	SHEET NO #2 Added 4-7-51	4595	RU			
ISSUE	ITEM	CHANGED FROM	DATE	DN. NO.	DRAFTS	CHECKER
TOLERANCES		SCALE:				
ALL OTHERS	DEC. DIM. ±	DRILL PUNCH COMMERCIAL STOCK				
	FRAC. DIM. ±	SIZES AND MANUFACTURERS				
	ANGULAR DIM. ±	TOLERANCES ARE NOT INCLUDED.				

REF: MS-1751 MACHINING

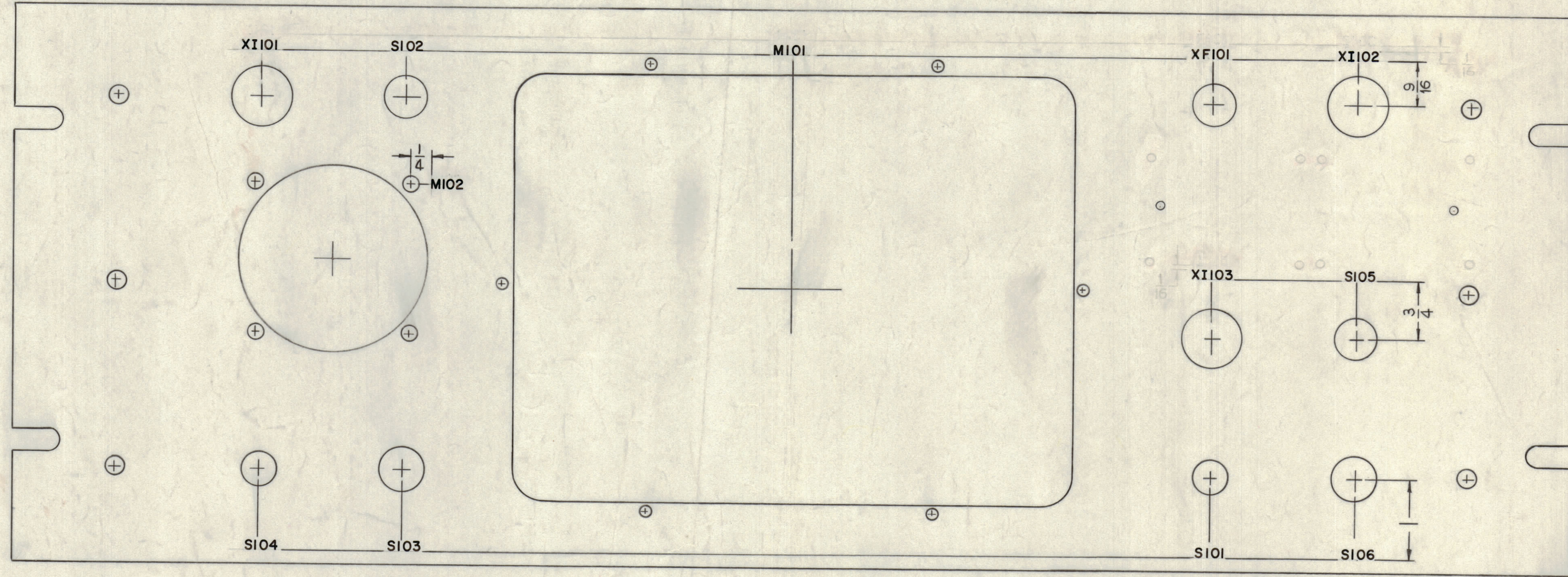
REQ. ITEM	PART NO.	DESCRIPTION	SYMBOL
3/16		THE TECHNICAL MATERIEL CORP. MAMARONECK, NEW YORK	
ALUMINUM		ENGRAVING, FRONT PANEL	
MATERIAL	WEIGHT PER PC.	MODEL	MCU-2
2024-T3		DRAWN	
TYPE & TEMPER.		ELEC. DES. APP.	
		MECH. DES. APP.	
		CHECKED	
		FINAL APPROVAL	
1	MCU-2	ATS-50 (10)	4-23-59
REQ PER UNIT	MODEL	PROJECT NO.	ASSY. NO.
			DATE
		USED ON	
		FINISH & SPEC. NO.	

SEE NOTE

LD-538 B

LD-538 B

NOTICE TO PERSONS RECEIVING THIS DRAWING
 THE TECHNICAL MATERIEL CORPORATION claims proprietary right in the material disclosed herein. This drawing is issued in confidence for engineering information only and may not be reproduced or used to manufacture anything shown herein without permission from THE TECHNICAL MATERIEL CORPORATION to the user. This drawing is loaned for mutual assistance and is subject to recall at any time.
 Property of:
 THE TECHNICAL MATERIEL CORPORATION
 MAMARONECK, NEW YORK



REAR VIEW OF PANEL SHOWN
 (TO BE SILK SCREENED)
 OR EQUIVALENT
 PER TMC SPEC-S-544

LETTERING TO BE 1/8 HIGH BLACK GOTHIC,
 CENTERED ON HOLES UNLESS OTHERWISE SPECIFIED

MARKING PROCESS: AS PER TMC SPECIFICATION S-727

LD-538 B

REF. MS-1751

REVISE NAMEPLATE HOLES	8-17-78	21673	WJS			
Dwg. Made as 2nd Sheet of (LD-538)	4-7-61	4596	RU			
SYM	ZONE	DESCRIPTION	DATE	CH. NO.	DRAFTS	CHECKER
UNLESS OTHERWISE SPECIFIED:			SCALE			
DIMENSIONS ARE IN INCHES			MAXIMUM ALLOWABLE TOLERANCES HAVE BEEN DETERMINED AND ANY DEVIATIONS WILL BE CAUSE FOR REJECTION. REMOVE ALL BURRS & SHARP EDGES			
TOLERANCES ON						
FRACTIONS ± 1/64			DECIMALS ± .005			
			ANGLES ± 1/2°			

1	MCU-2	ATS-50(70)		4-7-61
REQ. PER UNIT	MODEL	SECTION	ASSY. NO.	DATE
USED ON				

REQ. ITEM	PART NO.	DESCRIPTION	SYMBOL
		THE TECHNICAL MATERIEL CORP. MAMARONECK, NEW YORK	
		LETTERING - FRONT PANEL	
		REAR	
		UZZO	
		DRAWN	CHECKED
			FINAL APPROVAL
			LD-538
			OF 2 OF 2
			SHEET