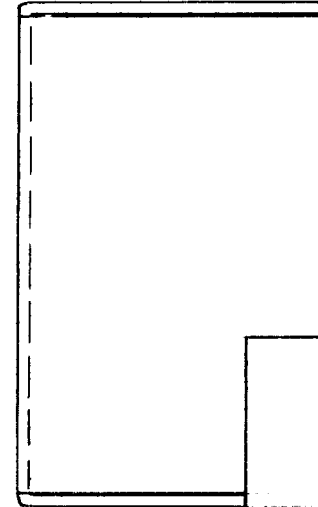
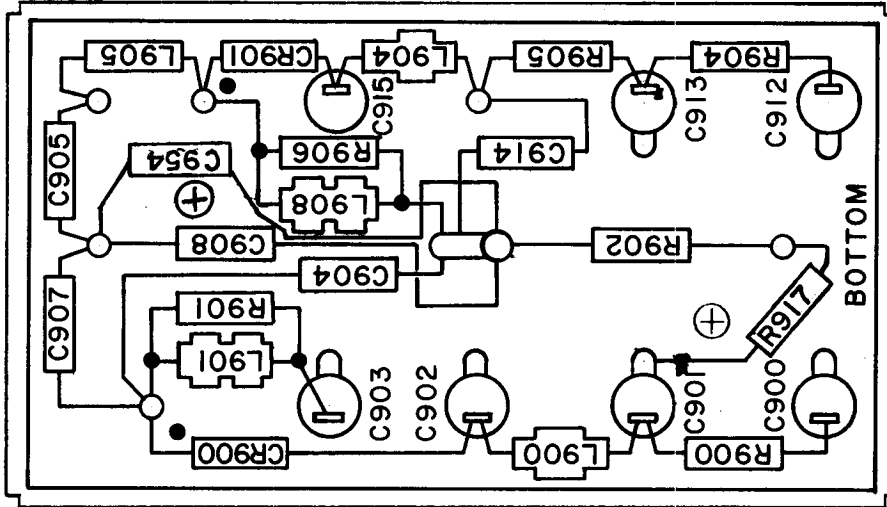


REQ. PER. UNIT	USED ON			LD-578	C
	MODEL	ASS'Y. NO.	DATE		
1	9PT-101K RX-137		5-12-59		



Border & Symbols Must Be Approx. Size Shown. (Black)
 All Lettering to be 3/32" High Black Gothic.
 MARKING PROCESS: AS PER TMC SPECIFICATION S-727.

Ref-2MS-1644

ISSUE	ITEM	CHAN ED FROM	DATE	CH. NO.	DRAFTS	CHECKER	ENG. APP.	REQ.	ITEM	PART NO.	DESCRIPTION	SYMBOL	
C		C954 RELOCATED	8/11/65	14625	H.V.V.	JCB	MM				THE TECHNICAL MATERIEL CORP. MAMARONECK, NEW YORK LETTERING, MONITOR BOARD COVER (TI-102)		
B	1	C954 ADDED, R917 WAS R903, C910 DELETED	5-3-65	14015	Ph	JCB	MM			STOCK SIZE			
A	1	R906 WAS L906	6-17-60	2505	W	JCB	MM			MATERIAL			
TOLERANCES		SCALE: FULL		TYPE & TEMPER		HEAT TREAT. SPEC.		DRAWN		CHECKED		FINAL APPROVAL	
DEC. DIM. ±		MAXIMUM ALLOWABLE TOLERANCES HAVE BEEN DETERMINED AND ANY DEVIATIONS WILL BE CAUSE FOR REJECTION. REMOVE ALL BURRS AND SHARP EDGES		FINISH & SPEC. NO.		ELEC. DES. APP.		MECH. DES. APP.		LD-578		C	
FRAC. DIM. ±													
ANGULAR DIM. ±													