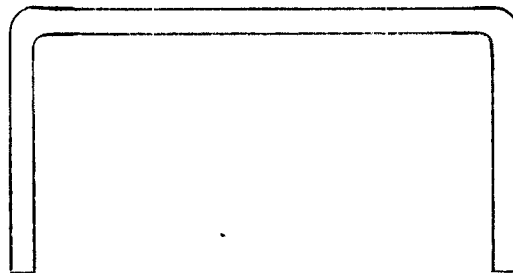
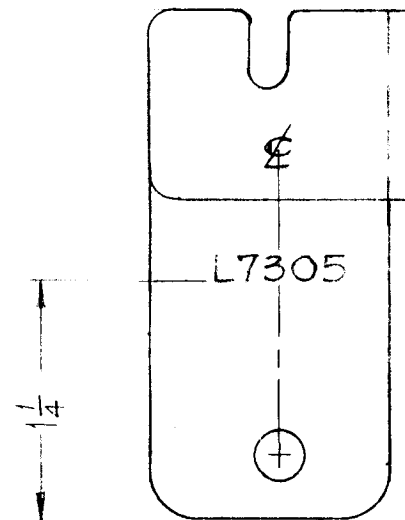
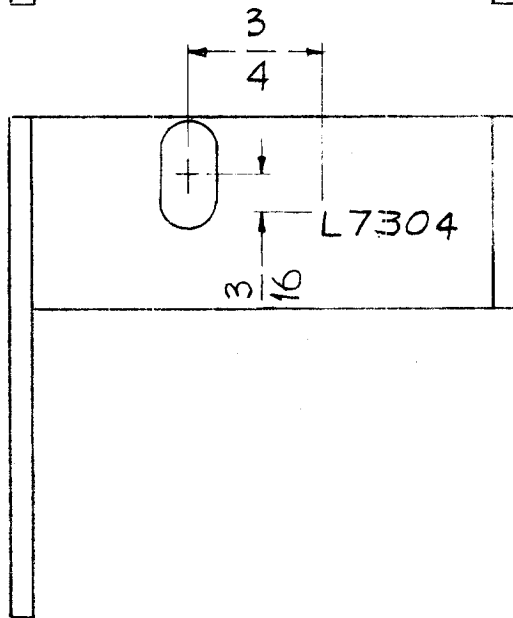


REQ. PER. UNIT	USED ON			LD-786	A
	MODEL	ASS'Y. NO.	DATE		
1	AX-209	40K	9-29-60		



LETTERING TO BE 1/8 HIGH
BLACK GOTHIC
MARKING PROCESS: AS PER TMC SPECIFICATION S-727



REF - MS - 2090 (1)

							REQ.	ITEM	PART NO.	DESCRIPTION	SYMBOL			
										THE TECHNICAL MATERIEL CORP. MAMARONECK, NEW YORK				
							STOCK SIZE			LETTERING, BRACKET, CHOKE				
							MATERIAL							
A	2	SEE EMN*10878	2-10-64	10878	A.M.	TR				Ruzzo	JCBile			
ISSUE	ITEM	CHANGED FROM	DATE	CH. NO.	DRAFTS	CHECKER	ENG. APP.			DRAWN	CHECKED	FINAL APPROVAL		
TOLERANCES			SCALE: FULL (NO HOT SCALE)											
DEC. DIM. ±			MAXIMUM ALLOWABLE TOLERANCES HAVE BEEN DETERMINED AND ANY DEVIATIONS WILL BE CAUSE FOR REJECTION. REMOVE ALL BURRS AND SHARP EDGES				TYPE & TEMPER		HEATTREAT. SPEC.					
FRAC. DIM. ± 1/64														
ANGULAR DIM. ±														
							FINISH & SPEC. NO.		ELEC. DES. APP		MECH. DES. APP			
											LD-786 A			