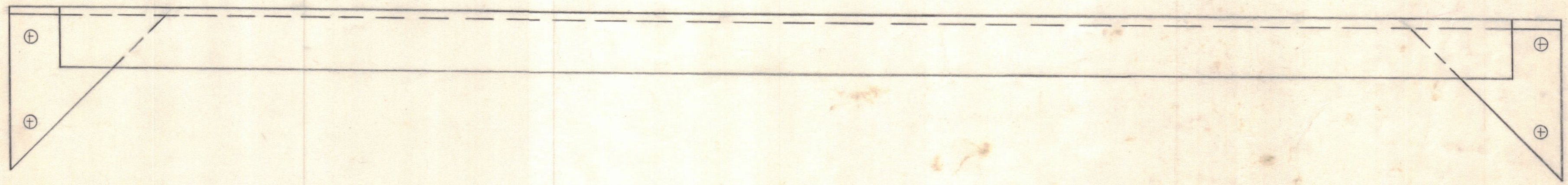
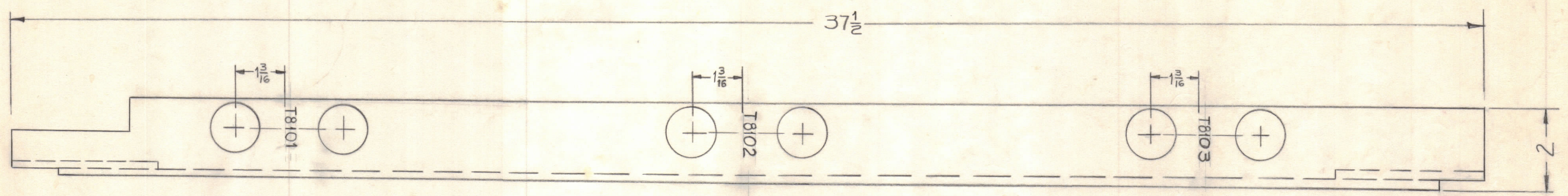


NOTICE TO PERSONS RECEIVING THIS DRAWING

THE TECHNICAL MATERIEL CORPORATION claims proprietary right in the material disclosed hereon. This drawing is issued in confidence for engineering information only and may not be reproduced or used to manufacture anything shown hereon without permission from THE TECHNICAL MATERIEL CORPORATION to the user. This drawing is loaned for mutual assistance and is subject to recall at any time.

Property of:  
THE TECHNICAL MATERIEL CORPORATION  
MAMARONECK, NEW YORK



LETTERING TO BE 1/8 HIGH BLACK GOTHIC  
MARKING PROCESS: AS PER TMC SPECIFICATION S-727

**OBSOLETE**  
(USE FOR SPARE PARTS ONLY)  
REPLACED BY LD-1465  
FOR NEW TRANSMITTERS  
GPT-40K( )4, SECT. AP-118

REF. PM-603 (4)

A	C2	SEE EMN # 10936	2.24.64	10936	LSB	AD	QSS
ISSUE ZONE		DESCRIPTION	DATE	CH. NO.	DRAFTS	CHECKER	ENG. APP.
TOLERANCES			SCALE: (Do NOT SCALE)				
DEC. DIM. ±			MAXIMUM ALLOWABLE TOLERANCES HAVE BEEN DETERMINED AND ANY DEVIATIONS WILL BE CAUSE FOR REJECTION. REMOVE ALL BURRS AND SHARP EDGES				
FRAC. DIM. ± 1/64							
ANGULAR DIM. ±							

1	GPT-40K	AP-103		10/11/60
REQ PER UNIT	MODEL	SECTION	ASS'Y. NO.	DATE

REQ. ITEM	PART NO.	DESCRIPTION	SYMBOL
STOCK SIZE		THE TECHNICAL MATERIEL CORP. MAMARONECK, NEW YORK	
MATERIAL		LETTERING, BAR SUPPORT, TRANSFORMERS	
TYPE & TEMPER		Drawn	RB
HEAT TREAT. SPEC.		Checked	QSS
FINISH & SPEC. NO.		FINAL APPROVAL	
		LD-823 A	