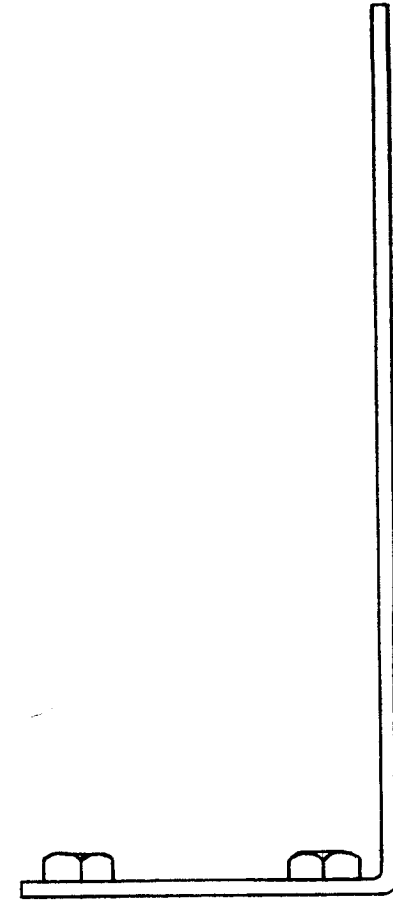
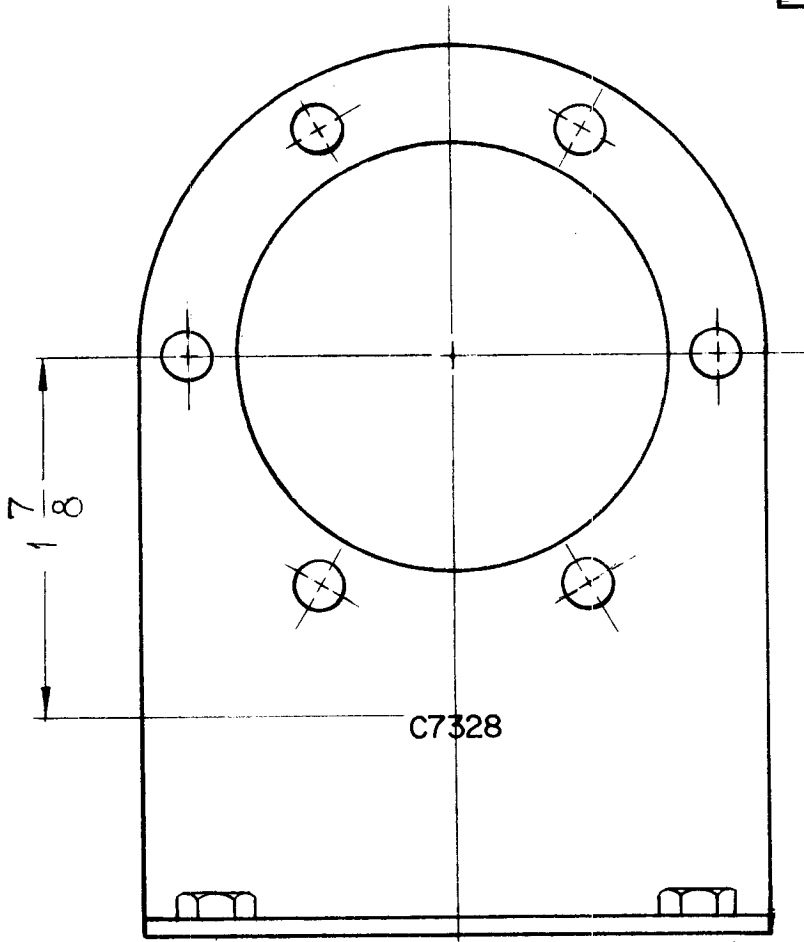


REQ. PER UNIT	USED ON			LD-836
	MODEL	ASS'Y. NO.	DATE	
1	GPT40K	AX-209	10-18-60	



ALL LETTERING 1/8" HIGH BLACK GOTHIC.  
MARKING PROCESS: AS PER TMC SPECIFICATION S-727

M5-2676 , AX-275  
REF-TMC DWG NO. M5-2304(2) FOR SPARE PARTS USE ONLY

ISSUE	ITEM	CHANGED FROM	DATE	CH. NO.	DRAFTS	CHECKER	ENG. APP.	REQ.	ITEM	PART NO.	DESCRIPTION	SYMBOL	
											THE TECHNICAL MATERIEL CORP. MAMARONECK, NEW YORK LETTERING, BYPASS CAP. BRACKET		
TOLERANCES								SCALE: FULL, Do Not SCALE					
DEC. DIM. ± FRAC. DIM. ± ANGULAR DIM. ±								MAXIMUM ALLOWABLE TOLERANCES HAVE BEEN DETERMINED AND ANY DEVIATIONS WILL BE CAUSE FOR REJECTION. REMOVE ALL BURRS AND SHARP EDGES					
								TYPE & TEMPER	HEAT TREAT. SPEC.	DRAWN	CHECKED	FINAL APPR VAL	
								FINISH & SPEC. NO.		ELEC. DES. APP	MECH. DES. APP	LD-836	