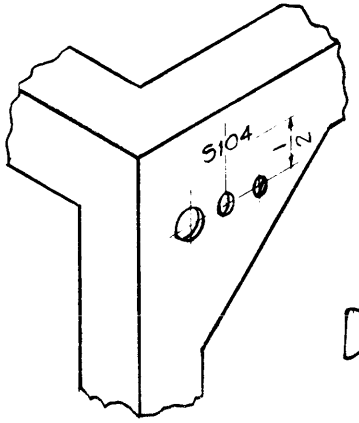
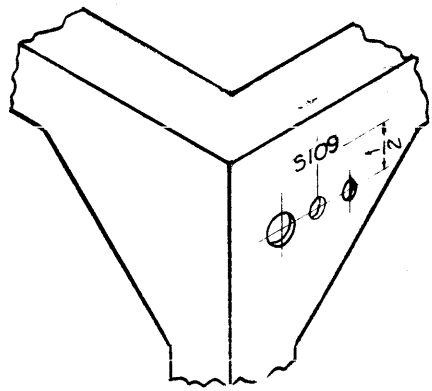


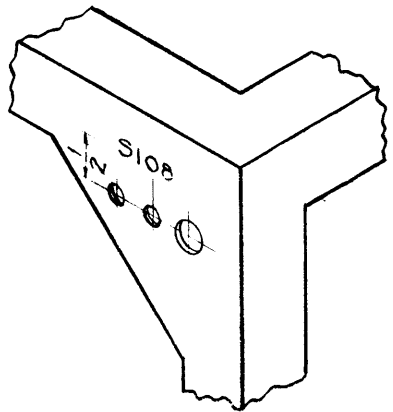
LD-904 A



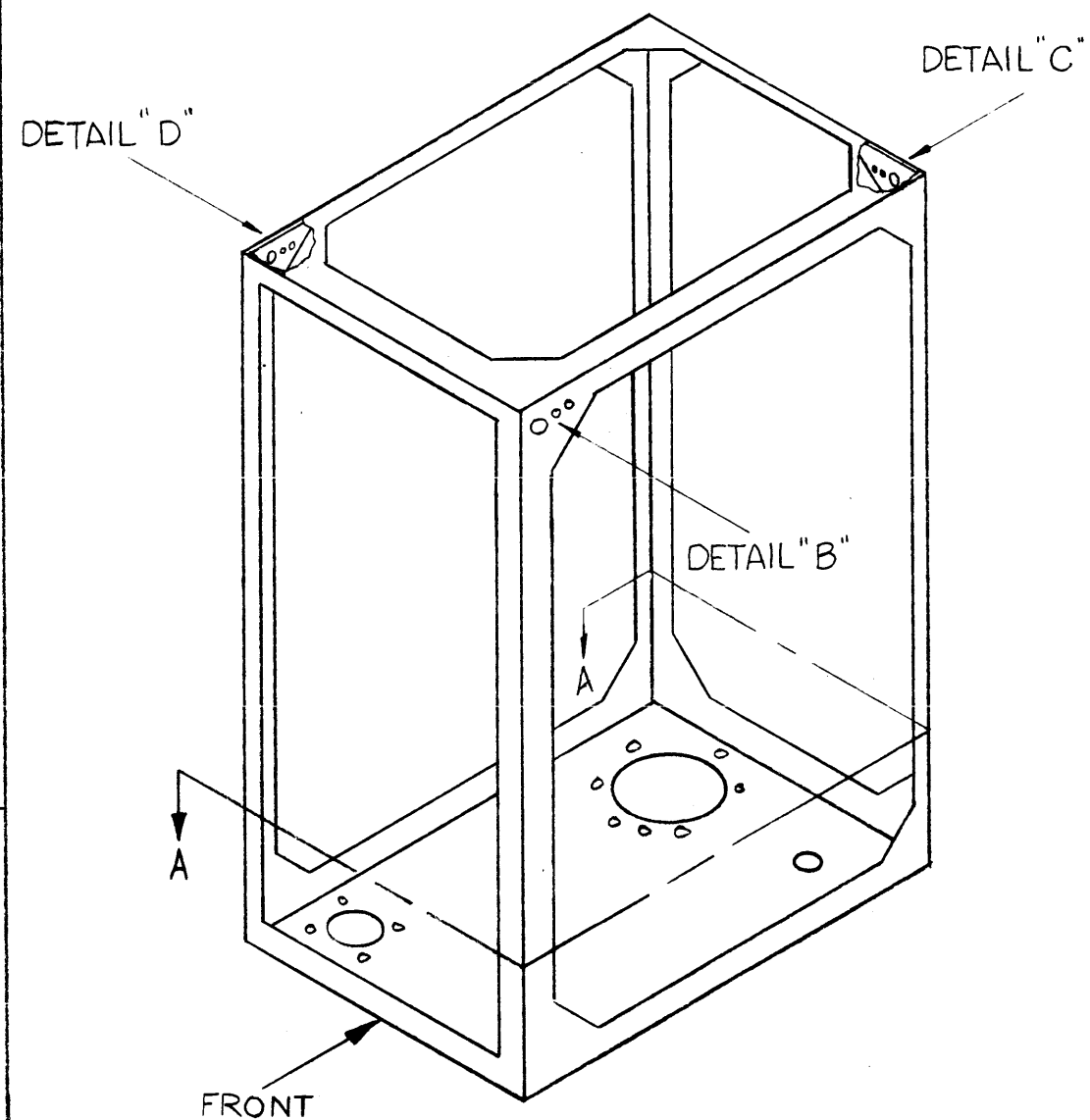
DETAIL "B"
(1 REQ.)



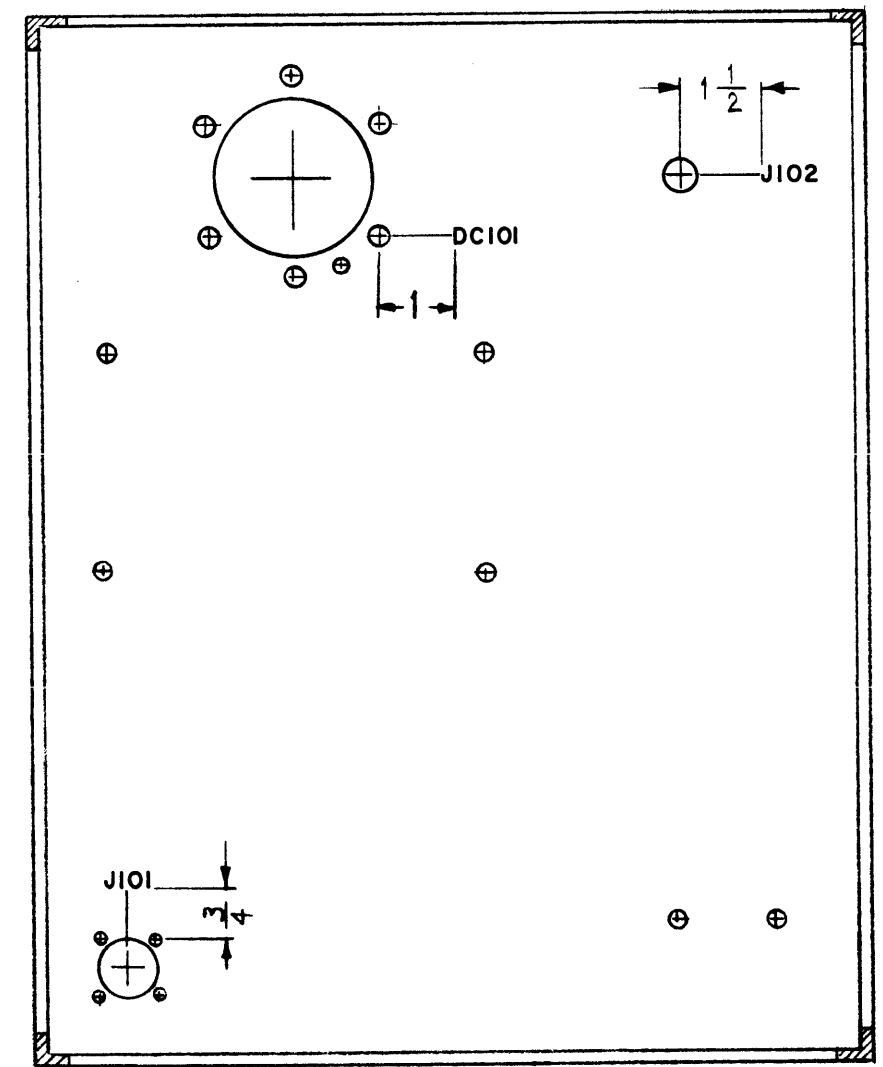
DETAIL "C"
(1 REQ.)



DETAIL "D"
(1 REQ.)



ALL LETTERING TO BE 1/8 HIGH BLACK GOTHIC.
(SILK SCREENED OR EQUIVALENT).



FRONT
SECTION 'A-A'

REF: MS-2426

ISSUE	ITEM	CHANGED FROM	DATE	CH. NO.	DRAFTS	CHECKER	ENG. APP.
A	1	DETAILS C + D ADDED	4/24/61	#	ICB	<i>[Signature]</i>	<i>[Signature]</i>

TOLERANCES		SCALE: DO NOT SCALE					
DEC. DIM. ±		MAXIMUM ALLOWABLE TOLERANCES HAVE BEEN DETERMINED AND ANY DEVIATIONS WILL BE CAUSE FOR REJECTION.					
FRAC. DIM. ±		REMOVE ALL BURRS AND SHARP EDGES					
ANGULAR DIM. ±							

REQ. PER UNIT	MODEL	PROJECT N.	ASS'Y. NO.	DATE
	ACU			4-15-61
USED ON				

REQ. ITEM	PART NO.	DESCRIPTION	SYMBOL
		THE TECHNICAL MATERIEL CORP. MAMARONECK, NEW YORK	
STOCK SIZE		LETTERING, FRAME	
MATERIAL			
TYPE & TEMPER	HEAT TREAT. SPEC.	DRAWN <i>[Signature]</i>	CHECKED <i>[Signature]</i>
FINISH & SPEC. NO.		ELEC. DES. APP.	MECH. DES. APP.
			LD-904 A